



2+



99



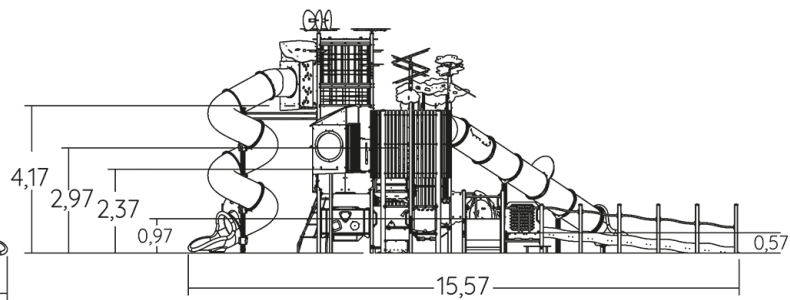
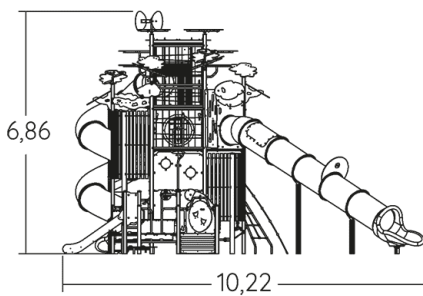
2,97m



1 = 15,57m
2 = 9,86m
3 = 6,86m



Physical inclusion
Sensory inclusion
Cognitive inclusion



Play value : **83**

role play



x6

sliding



x3

meeting



x8

resting



x4

handling



x8

crawling



x1

swinging



x3

hiding



x4

balancing



x3

taking shelter



x4

thinking



x3

sound stimulation



x2

tactile stimulation



x9

visual stimulation



x13

climbing



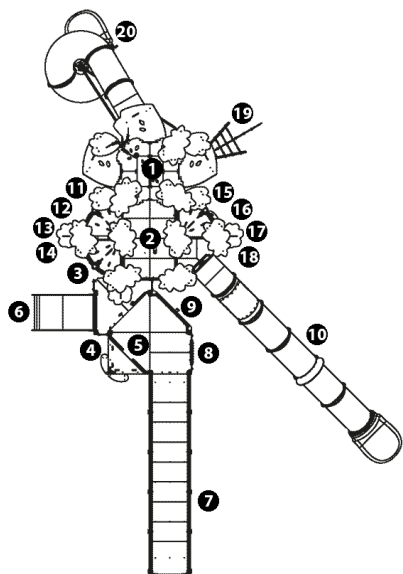
x9

getting across



x3

Components

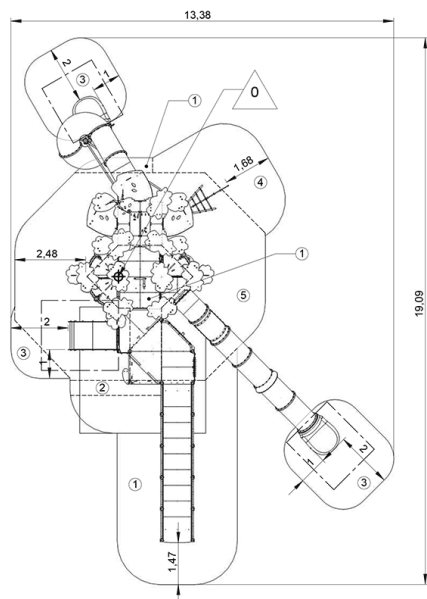


- ❶ Tour 6m inclusive sans passage déporté
- ❷ Plate-forme Kayop inclusive Ht : 2.97 m
- ❸ Escalier transfert demi tour
- ❹ Plate-forme transfert Ht : 0.97 m
- ❺ Plate-forme fauteuil Ht : 0.97 m
- ❻ Toboggan Ht : 0.97 m
- ❼ Plateforme accès
- ❽ Panneau ludique boulier
- ❾ Butterfly play panel
- ❿ Toboggan tubulaire avec hublot Ht : 2,97 m
- ⓫ Assises suspendues 3 places
- ⓬ Shop
- ⓭ Panneau Smiley
- ⓮ Labyrinthe Kanopé
- ⓯ Hublot
- ⓰ Play porthole
- ⓱ Panneau miroir déformant
- ⓲ Panneau ludique sensoriel
- ⓳ Tilted net Ht: 1.77m
- ⓴ Polyethylene slide Ht : 4.17m

Installation of equipment

IMPORTANT: It is essential to refer to the installation instructions for information on the size of the safety areas.

- Impact area (minimum normative surface)
- - - Free space



1	0,6m	40m ²
2	0,97m	2m ²
3	1m	21,5m ²
4	1,77m	9m ²
5	2,97m	46,5m ²



3



35h00



2.5m³



119.5m²



4304kg



72kg

EN
1176