



2+



15



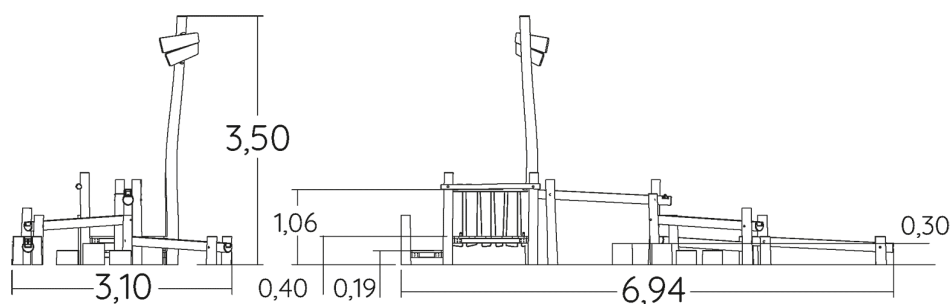
0,6m



1 = 6,88m  
2 = 3,1m  
3 = 3,5m



Physical inclusion  
Sensory inclusion  
Cognitive inclusion



Play value : **16**

role play



x1

meeting



x1

resting



x4

handling



x4

thinking



x4

tactile stimulation



x1



climbing

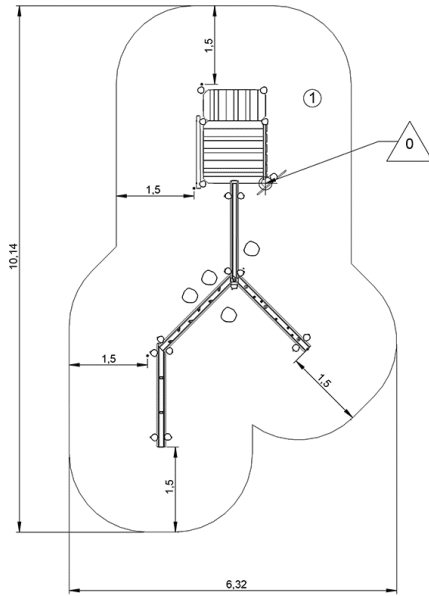




x1

## Installation of equipment

**IMPORTANT:** It is essential to refer to the installation instructions for information on the size of the safety areas.

-  Impact area (minimum normative surface)
-  Free space



		
1	<0,6m	47m <sup>2</sup>



2



16h00



1.15m<sup>3</sup>



47m<sup>2</sup>



834kg



832kg

EN  
1176