


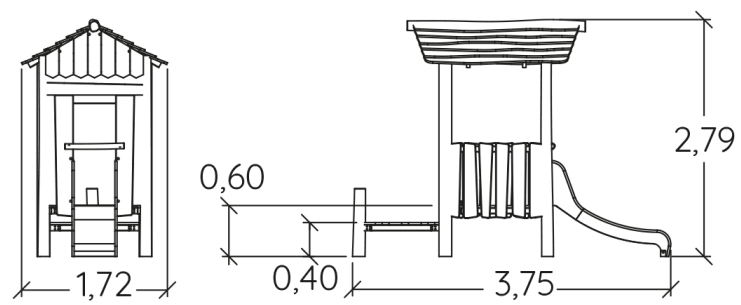
 2+
  8
  1m





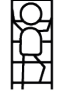

 1 = 3,74m
 2 = 1,72m
 3 = 2,8m



Physical inclusion
Sensory inclusion
Cognitive inclusion



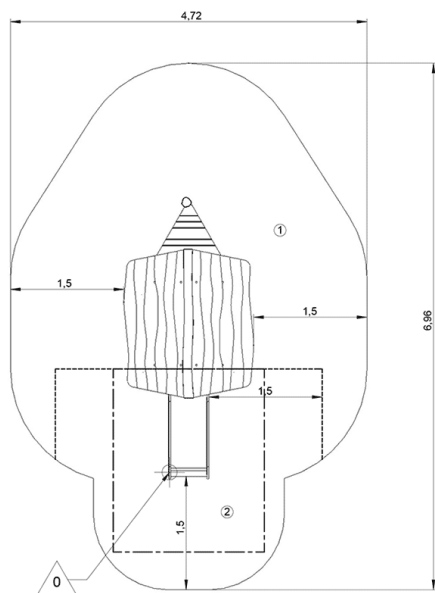
Play value : 5

- | | | | | |
|---|---|---|---|---|
| role play | sliding | meeting | taking shelter | climbing |
|  |  |  |  |  |
| x1 | x1 | x1 | x1 | x1 |

Installation of equipment

IMPORTANT: It is essential to refer to the installation instructions for information on the size of the safety areas.

-  Impact area (minimum normative surface)
-  Free space



1	0,6m	14,5m ²
2	1m	10m ²



2



7h00



0.4m³



26.5m²



384kg



354kg

EN
1176