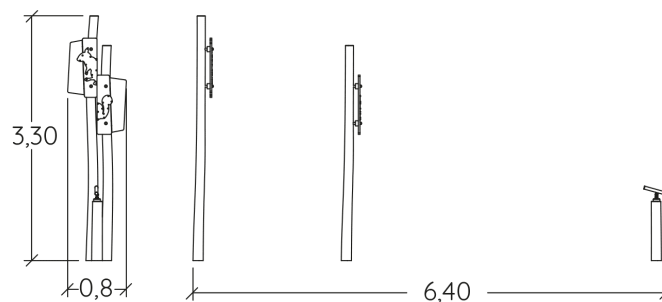


Physical inclusion
Sensory inclusion
Cognitive inclusion



Play value :

4

role play

handling

thinking

visual stimulation



x1

x1

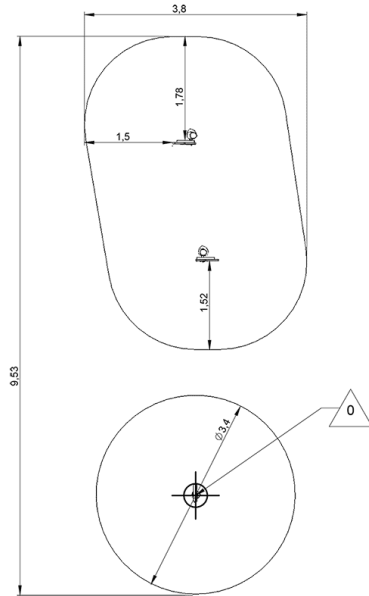
x1



x1

Installation of equipment

IMPORTANT: It is essential to refer to the installation instructions for information on the size of the safety areas.

-  Impact area (minimum normative surface)
-  Free space



		
1	0m	27m ²



2



01h00



0m³



27m²



110kg



107kg

EN
1176