



3+



75



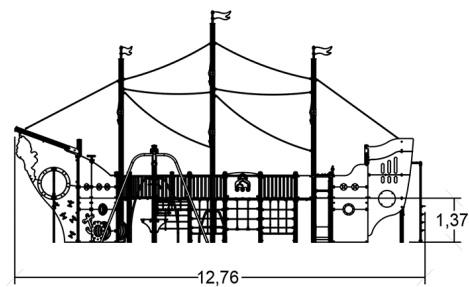
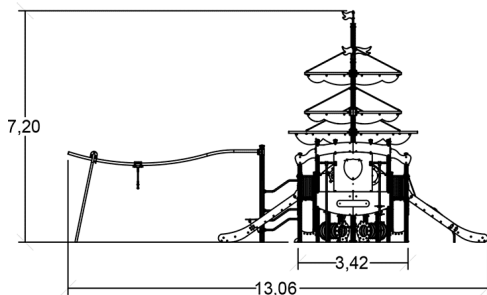
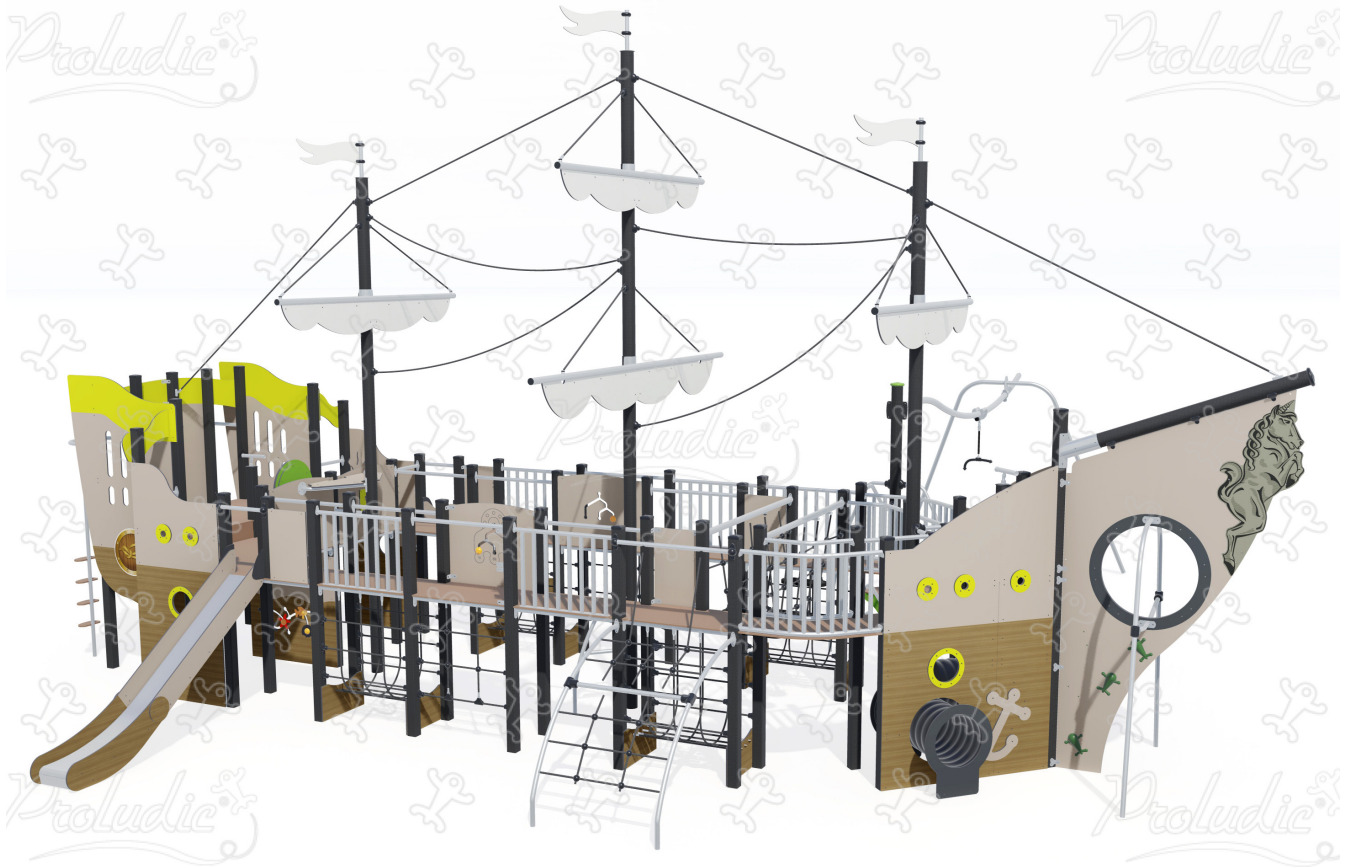
1,7m



1 = 13,09m  
2 = 12,69m  
3 = 6,9m



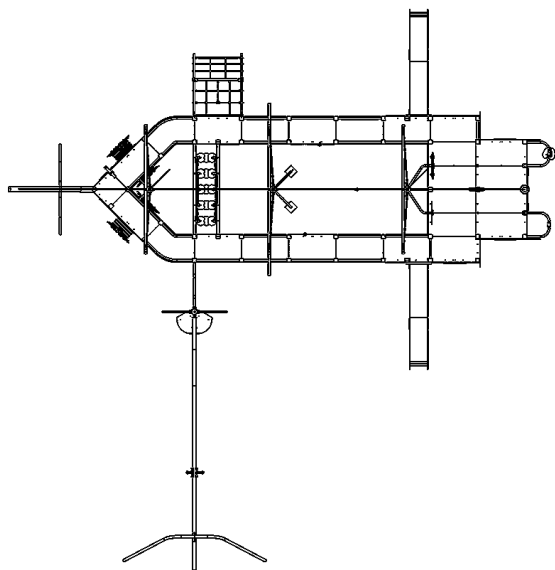
Physical inclusion  
Sensory inclusion  
Cognitive inclusion



**Play value :** 41

climbing x1	role play x1	sliding x4	meeting x1	handling x6	hanging x1	hiding x1	balancing x1
taking shelter x1	sound stimulation x1	tactile stimulation x6	visual stimulation x4	climbing x3	getting across x6	crawling x4	

## Components

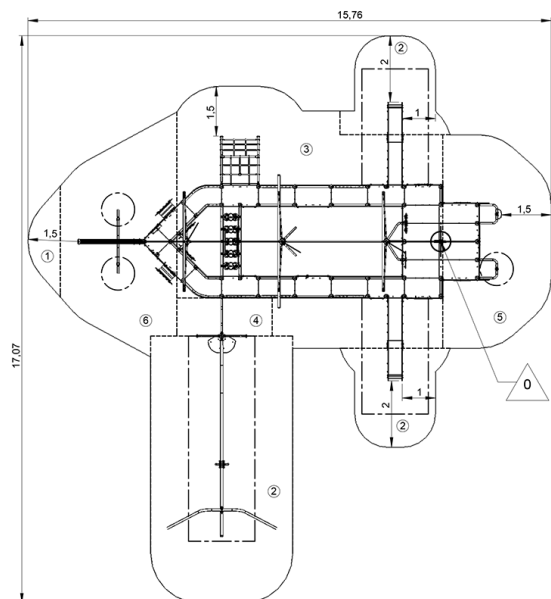


- ❶ Fireman's pole HT: 1.37
- ❷ Parrot mast HT: 1.37m
- ❸ Incline net H: 1.37m
- ❹ Telescope
- ❺ Cableway
- ❻ Slide H: 1.37m
- ❼ Climbing net
- ❽ Climbing net
- ❾ Tunnel
- ❿ Tunnel
- ⓫ The Pachinko Play Panel
- ⓬ Telescope
- ⓭ Climbing wall

## Installation of equipment

**IMPORTANT:** It is essential to refer to the installation instructions for information on the size of the safety areas.

- Impact area (minimum normative surface)
- Free space



1	0,6m	2,5m <sup>2</sup>
2	1m	47,5m <sup>2</sup>
3	1,37m	54m <sup>2</sup>
4	1,4m	3,5m <sup>2</sup>
5	1,5m	18,5m <sup>2</sup>
6	1,7m	20,5m <sup>2</sup>



4



70h00



2.3m<sup>3</sup>



145.5m<sup>2</sup>



2856kg



42kg

EN  
1176