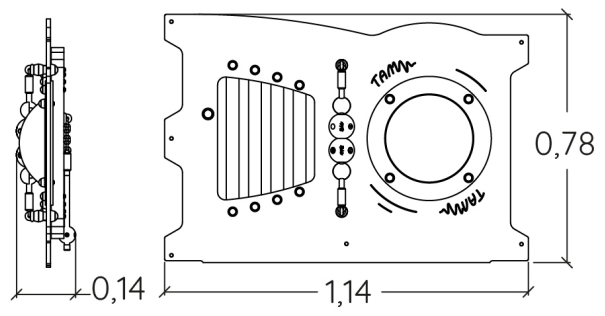


Physical inclusion
Sensory inclusion
Cognitive inclusion



Installed on G3422/G3425 posts



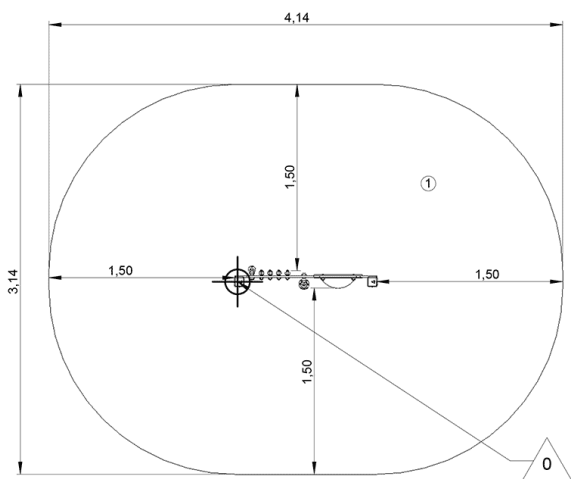
Play value : **11**



role play	meeting	handling	sound stimulation	tactile stimulation
x1	x1	x3	x3	x3

Installation of equipment

IMPORTANT: It is essential to refer to the installation instructions for information on the size of the safety areas.

-  Impact area (minimum normative surface)
-  Free space



		
1	0m	11m ²



0

00h50

0m³

11m²

16kg

12kg

EN
1176