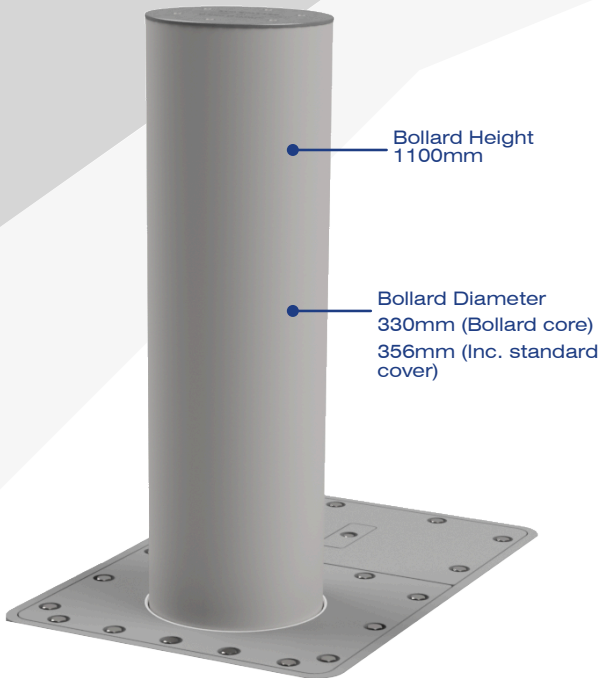


# HEALD®

## HT3 ELECTROMECHANICAL EVO BOLLARD



Heald's EVO Bollard has a unique design which provides maximum protection as a single bollard, providing a flexible and adaptable solution to suit a variety of locations. The product is available with a range of bollard cover designs to provide complimentary aesthetics to both historic and contemporary architecture.

The EVO Bollard was designed for Electromechanical operation and can be easily operated via battery drill for manual use. This provides a more sustainable alternative to hydraulic operation, with no requirements for hydraulic oil or noisy powerpack within the control cabinet.

As an automated system, the EVO Bollard can be integrated with various access control systems to provide quick and convenient access to authorised vehicles and emergency services, while always retaining pedestrian access.

The EVO Bollard requires an excavation of only 1200mm, making this one of the shallowest bollards of its class. Easy to install with no additional rebar or precast concrete required. Includes surface level access hatch for easy maintenance and servicing.



### Operation

A motor & gearbox driven mechanism with manual hand wind & UPS for power fail.

Electromechanically operated, providing advantages over Hydraulically operated products such as,

- Environmentally Friendly (reduced carbon footprint)
- Smaller Cabinet
- No Hydraulic oil

415VAC Three phase, earth & neutral, 50Hz Alternatives available to suit site requirements.

### Safety Features Available

Induction Loops

### Operating Speeds

Standard Operation 6 seconds approx

EFO Operation 1.5 seconds approx

### Options

Heat Trace, Emergency Fast Operation (EFO), Anti-slip coating, Various Access Control options, 2way Ring Traffic Lights.

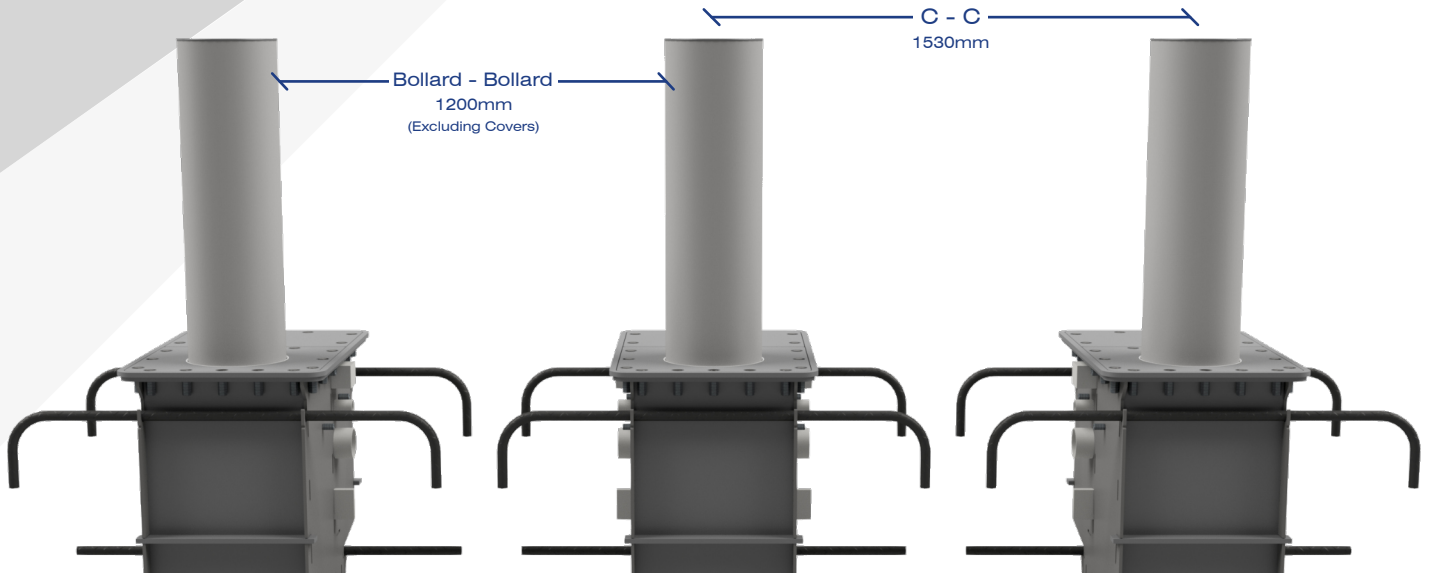
### Please contact for further details:

01964 535858  
www.heald.uk.com  
sales@heald.uk.com

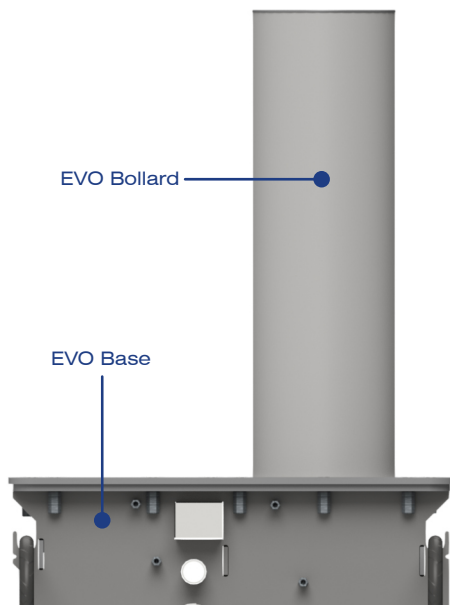
© Heald Ltd 2010  
Granted US Patent US 10,385,528;  
Granted EP Patent EP3341524 (GB,FR,SE,NO,NL,IT,DE,TR)  
Int. Patent Application PCT/GB2016/000140

# HEALD®

HT3 ELECTROMECHANICAL  
EVO CONFIGURATIONS



Evos can be installed in any size array, image above illustrates an array of 3.



#### Bollard Spacing

EVO Bollards (Excluding Covers) must be spaced at 1200mm (Maximum)

#### Standard Finish

Galvanised, with Grade 316 Flat top Stainless Steel cover (Other colours available upon request)

#### Axle Loadings

20 tonnes per axle (up to 120 tonnes for a 6 axle vehicle).

#### Base Depth / Excavation Depth

1220mm base  
1200mm excavation

#### Foundation Details

Please refer to/request an installation drawing.

#### Please contact for further details:

01964 535858  
www.heald.uk.com  
sales@heald.uk.com

© Heald Ltd 2010  
Granted US Patent US 10,385,528;  
Granted EP Patent EP3341524 (GB,FR,SE,NO,NL,IT,DE,TR)  
Int. Patent Application PCT/GB2016/000140