

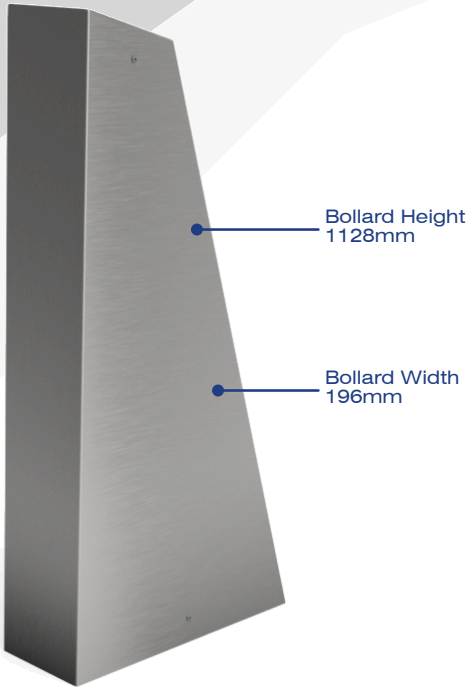
# HEALD®

## MANTIS 64 & 80

Heald's Mantis static bollard is an evolution of our shallow mount Raptor series. Offering high security combined with a rapid, low cost installation, the Mantis is a viable alternative to deep mount static bollards. The Mantis is available with a range of stylish stainless steel covers, finished in a variety of colours to suit any location for where integration with modern architecture is also a priority.

The Mantis 80 offers a static solution with a excavation depth of only 300mm. No pre-casting of the pit is required, nor is any additional rebar. The Mantis can be installed in less than an hour.

Furthermore, as the Mantis was tested as a standalone bollard it can be installed individually or as part of an array to secure an aperture of virtually any width.



Bollard Height  
1128mm

Bollard Width  
196mm

### Crash Test Results

#### Mantis 64

PAS68:2013 fixed bollard V/7500(N2)/64/90:0.0/0.0 - Mantis 64

This means the Mantis 64 will halt a 7.5tonne truck at 64kph.

#### Mantis 80

One of the first products to be tested using the new IWA14-1 International standard.

V/7200(N3C)/80/90:7.5. - Mantis 80

This means the Mantis 80 will halt a 7.2tonne truck at 80kph.

Bollards remained intact, ensuring continued protection against further attack.



**Mantis 64**



**Mantis 80**

<b>Foundation Depth</b>
250mm
<b>Composition</b>
Sectioned mild steel. Welding in accordance with BS 4872-1:1982 Manufacturing in accordance with BS 6571.
<b>Finish</b>
Galvanised. Stylish stainless steel covers.
<b>Options</b>
LED Lights available on request
<b>Product Weight</b>
450Kg

<b>Foundation Depth</b>
300mm
<b>Composition</b>
Sectioned mild steel. Welding in accordance with BS 4872-1:1982 Manufacturing in accordance with BS 6571.
<b>Finish</b>
Galvanised. Stylish stainless steel covers.
<b>Options</b>
LED Lights available on request
<b>Product Weight</b>
700Kg

### Please contact for further details:

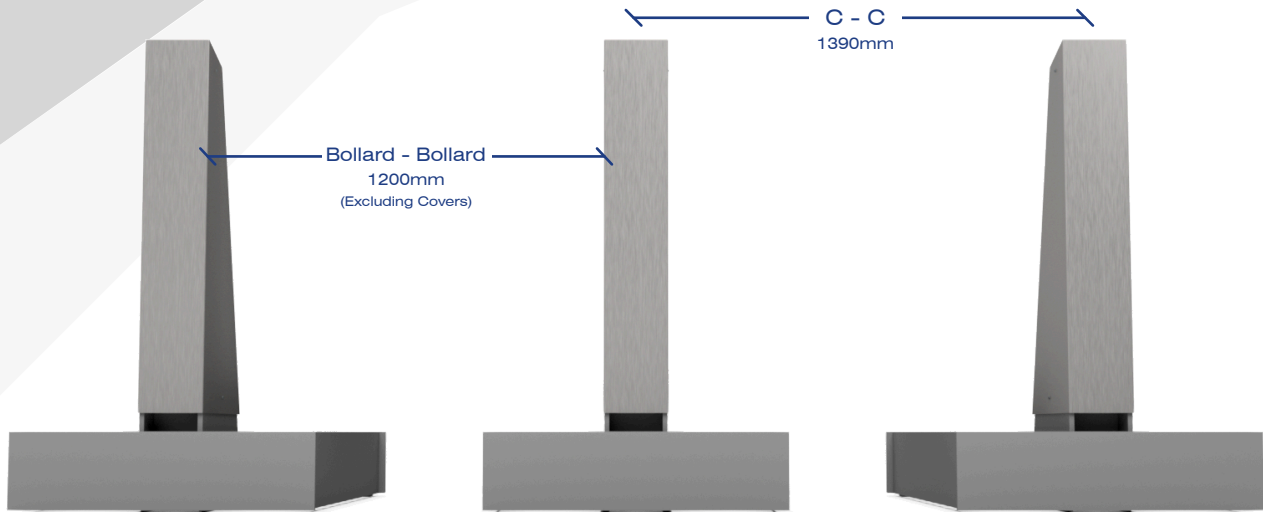
01964 535858  
www.heald.uk.com  
sales@heald.uk.com  
© Heald Ltd 2010

Due to a continuous program of development Heald reserve the right to change specifications at any time.

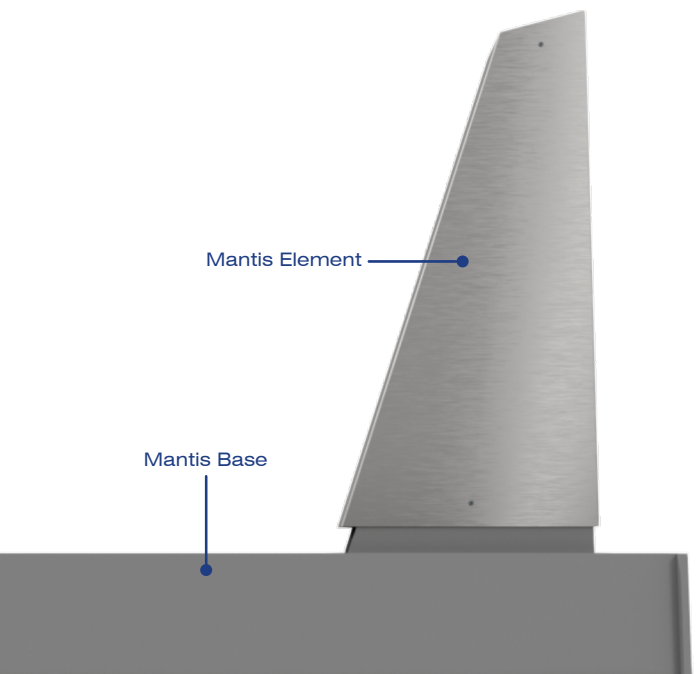


# HEALD®

## MANTIS 64 & 80 CONFIGURATIONS



Mantis can be installed in any size array, image above illustrates an array of 3.



### **Bollard Spacing**

The maximum space between Mantis bollards should be 1200mm (Excluding Covers)

### **Foundation & Installation Details**

The simplicity of the Mantis' installation process is perfect for situations in which a traditional deep mount bollard is impractical or impossible - for example locations with underlying cables or ducting - but where high levels of security are essential.

Please refer to/request an installation drawing.

### **Please contact for further details:**

01964 535858  
www.heald.uk.com  
sales@heald.uk.com  
© Heald Ltd 2010

Due to a continuous program of development Heald reserve the right to change specifications at any time.

