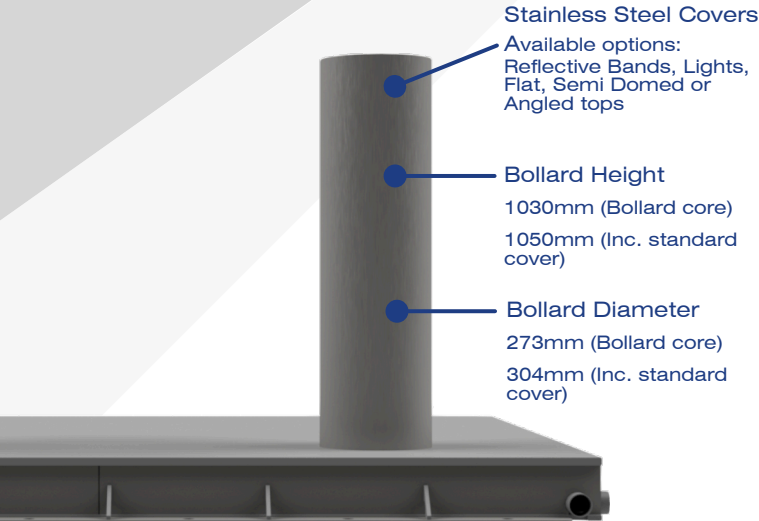




HEALD®

HT3 FIXED MATADOR



Heald's Fixed Matador surface mount static bollard system offers the surface mount convenience and PAS68 security of our automatic Matador sliding bollard system but in a simple, static package.

The Fixed Matador offers a number of advantages over more traditional systems. Its surface mount installation is not only extremely fast and efficient, it also allows for fitting in areas where even shallow mount is impossible; for example, where underground ducting runs extremely close to the surface. It can be installed with a minimum of disruption to the road surface, making it ideal for short term or temporary installations.

The Fixed Matador's bollard configuration allows pedestrian access and its stylish stainless steel bollards make it perfect for locations where integration with modern architecture is essential.

Crash Test Results

Although not physically crashed, a desktop simulation has been carried out with results presenting the product is capable of resisting the impact of an IWA 14 7.2T N2A vehicle travelling at 50mph (80Kph).

Classification

HT3
D/7200[N2A]/80/90

NPSA Vehicle Attack Delay Rating Standard (VADS) Rating



Site work

Unique design does not require complex steel reinforcement of concrete for fitting.

No pre-cast pit required. Various levels of installation service available.

Please contact Heald for further details.

Detailed drawings and technical guidance offered.

Safety Features Available

N/A.

Finish

Base shot blasted and applied with special hard wearing resin

Top surface finished with anti-slip coating

Bollards galvanised with stainless steel covers

Options

Can be paved over to tie in with our Matador Architectural Paving system (APS).

NPSA rated product: Approved for UK Government use, for details contact NPSA.

Please contact for further details:

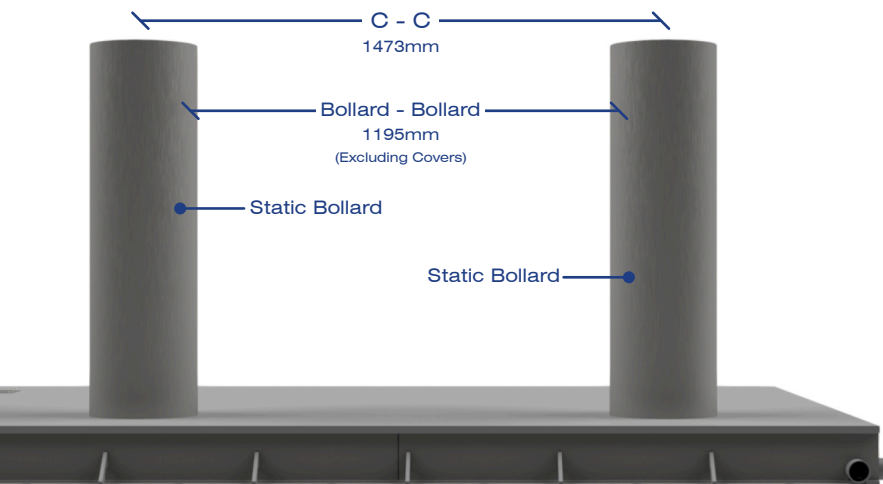
01964 535858
www.heald.uk.com
sales@heald.uk.com

© Heald Ltd 2010
Granted US Patent US9,315,956;
Granted US Patent US10,119,230;
Granted EP Patent EP2776631
(GB, FR, SE, NO, NL, IT, DE, TR)



HEALD® HT3 FIXED MATADOR CONFIGURATIONS

Matador 1	Consists of 1 static bollards. Base height available 160mm.	
Matador 2	Consists of 2 static bollards. Base height available 160mm.	
Matador 3	Consists of 3 static bollards. Base height available 160mm.	
Matador 4	Consists of 4 static bollards. Base height available 160mm.	



Bollard Spacing

HT2 Matador Bollards are spaced at 1473mm Centre to centre (C-C), 1195mm bollard to Bollard (Excluding Covers)

Axle Loadings

20 tonnes per axle (up to 120 tonnes for a 6 axle vehicle).

Base Depth / Excavation Depth

160mm base
310mm excavation

Foundation Details

Please refer to/request an installation drawing.

Please contact for further details:

01964 535858
www.heald.uk.com
sales@heald.uk.com

© Heald Ltd 2010
Granted US Patent US9,315,956;
Granted US Patent US10,119,230;
Granted EP Patent EP2776631
(GB, FR, SE, NO, NL, IT, DE, TR)