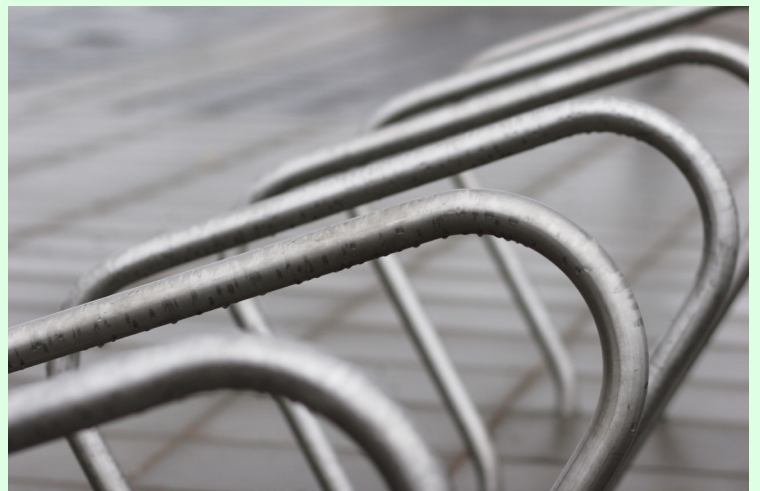




OMOS

s71
Cycle
Stand



www.omos.ie
+ 353 45 899 802

s71 Cycle Stand



DESCRIPTION

Cycle stand made from 316 grade stainless steel with a brushed polished finish. Available in a galvanized mild steel option with or without powder coating.

DIMENSIONS

Height 875mm, Width 950mm, Diameter/Wall Thickness 48/2.77mm.

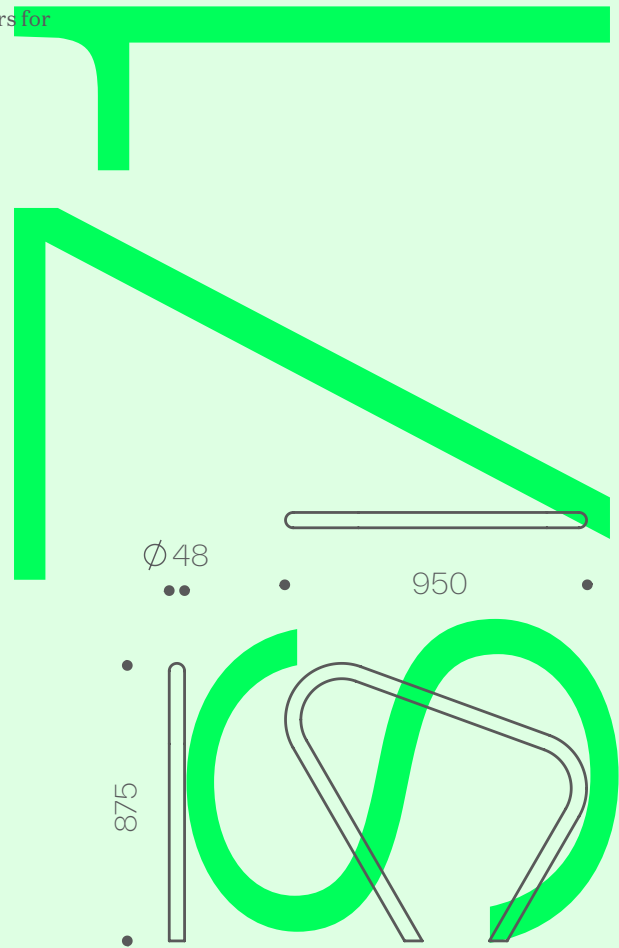
OPTIONS

Choice of steel. Choice of RAL colours for powder coating.

Constructed from 316 grade stainless steel or galvanized mild steel, both robust materials which ensure a long product life.

Functional yet distinctive form. Affords locking opportunity for wheels and frame of bicycle.

The cycle stand is available in a range of fixing options; above ground flange fixed, below ground flange fixed and root fixed.



s71 Fixing Instructions

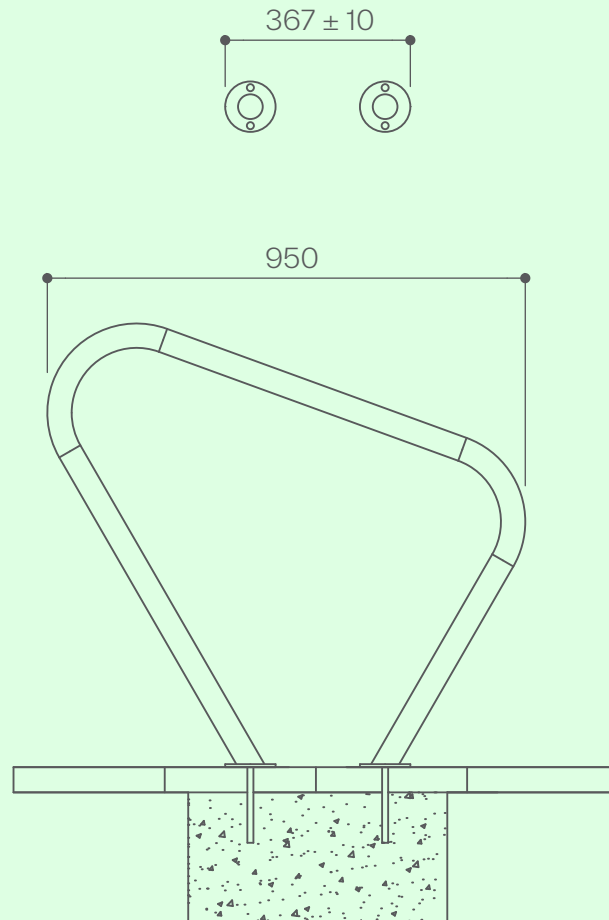
ABOVE GROUND FLANGE FIXED

FOR AREAS ALREADY PAVED

1. Ensure that the surface which the cycle stand is to be fixed to is of sufficient size and strength for this purpose.
2. Position the cycle stand in the desired location and mark hole positions.
3. Drill following fixing manufacturer's instructions to suit the chosen fixing. Choose a fixing which will accept an M10 SS CSK bolt, either a mechanical anchor (such as RS PRO Stainless Steel Drop In Anchor M10 x 40mm) or an internally threaded fixing designed for chemical fixing (such as Hilti HIS-RN M10xL [length to suit]). IMPORTANT, the depth of the hole must be sufficient to allow the fixing to be fully embedded in the concrete rather than partially in the paver and partially in the concrete.
4. Insert the fixings into the ground following fixing manufacturer's instructions. Reposition the cycle stand and screw in M10 SS CSK (stainless steel with countersunk head) into the 4 no. fixings. Where chemical fixing is used (such as Hilti HIT-HY 150) leave sufficient time to cure before. Tighten the bolts.

FOUNDATIONS

The s71 cycle stand can be fixed directly to a concrete slab or to concrete pads beneath paving stones. Foundations must be to engineer's specification.



s71 Fixing Instructions

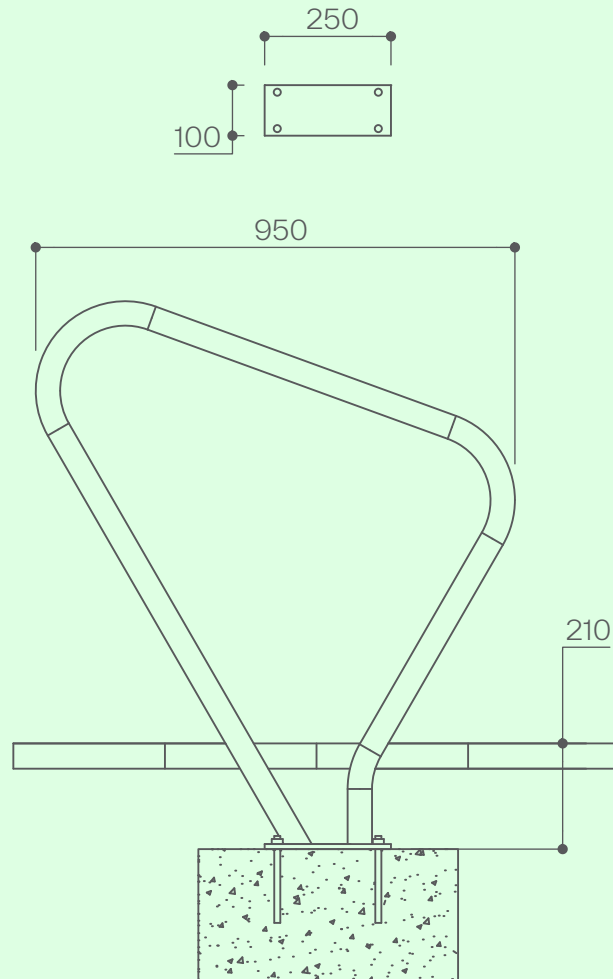
BELOW GROUND FLANGE FIXED

FOR AREAS ALREADY PAVED

1. Cast foundation to engineers specification where cycle stand is to be located. The surface of the foundation must be level and finished to 210mm +10mm, -10mm. Leave to fully cure.
2. Position the cycle stand in the desired location and mark hole positions.
3. Drill 12mm holes to a depth of 150mm, use M12 through bolts to fix (such as Hilti HSA M12 x 120).
4. Use shims if necessary to ensure the correct height and plumb. Tighten cycle stand in position.
5. Where necessary cut or core drill the paving slabs and reinstate.
6. Render neatly around bollard with non shrink grout, removing any grout residue.

FOUNDATIONS

Foundations must be to engineer's specification.



s71 Fixing Instructions

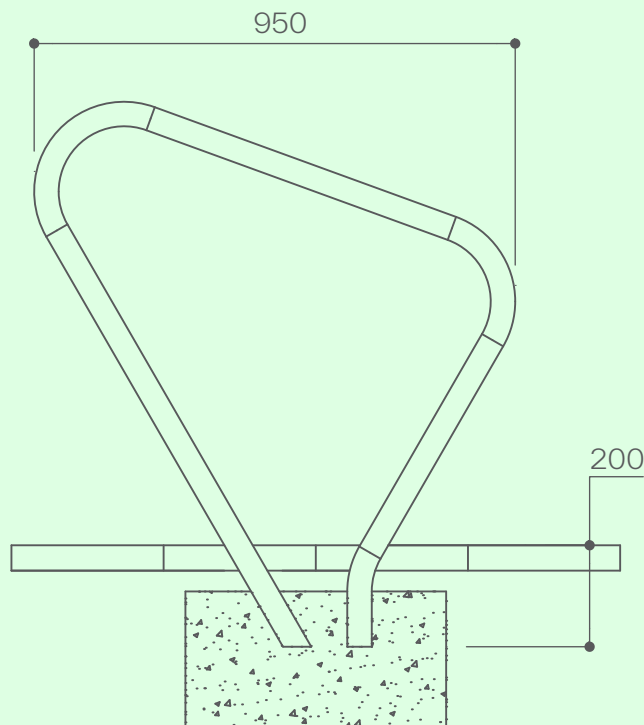
ROOT FIXED

FOR AREAS ALREADY PAVED

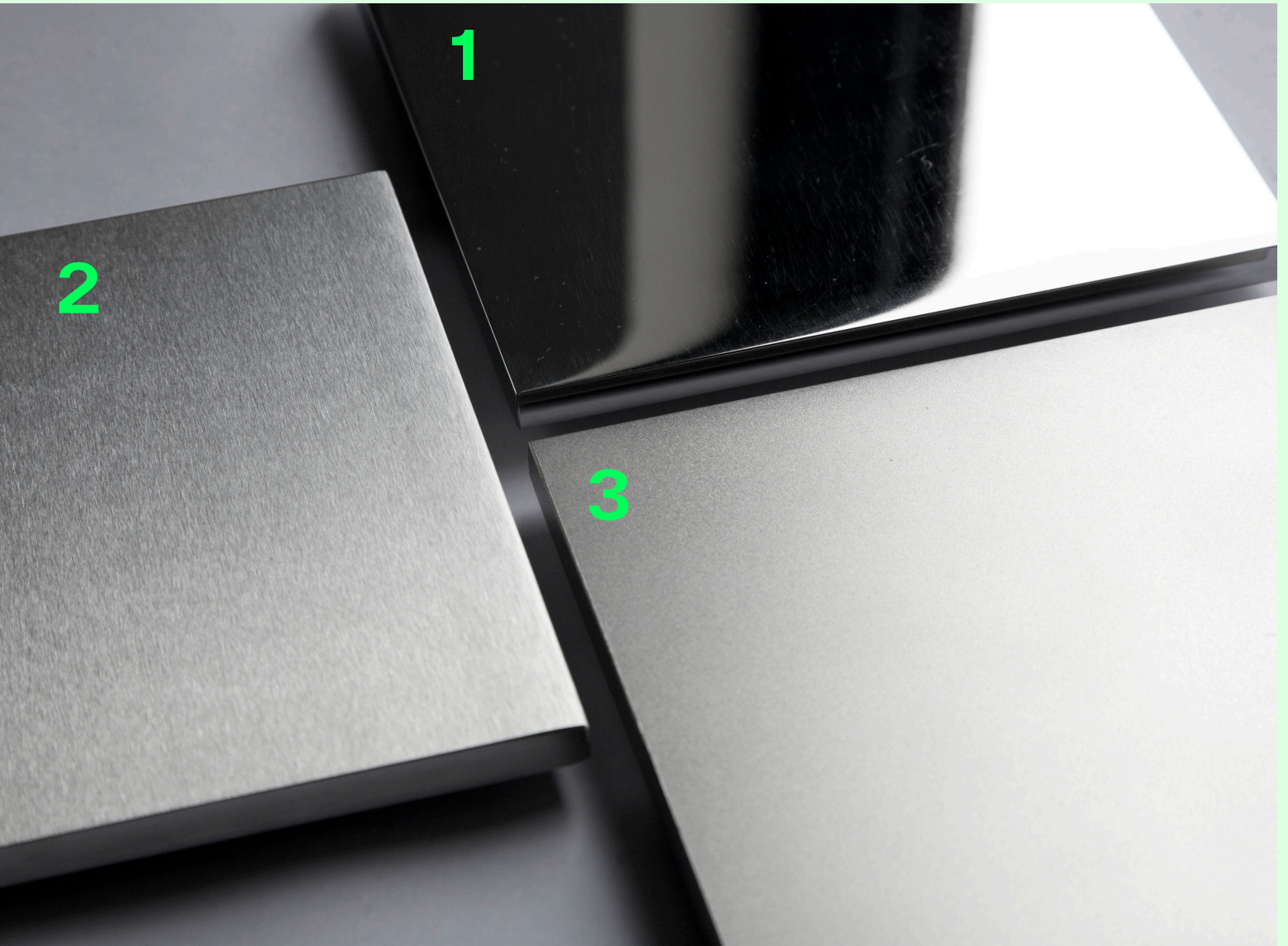
1. Set out the position of the cycle stand/s.
2. Where the area has been paved remove sufficient pavers to facilitate excavation.
3. Excavate holes to engineer's specification.
4. Position cycle stand precisely ensuring correct position, height and plumb. Prop securely in position.
5. Back fill holes with concrete (35N20) leaving sufficient depth for paving slabs and bedding.
6. Once set remove props.
7. Where necessary cut or core drill the paving slabs and reinstate.
8. Render neatly around cycle stand with non shrink grout, removing any grout residue.

FOUNDATIONS

Foundations must be to engineer's specification.



Stainless Steel Finishes



316 GRADE STAINLESS STEEL

1. MIRROR POLISHED

Stainless steel with a mirror polished finish undergoes a process that results in a smooth and highly reflective surface. This finish offers a shiny, mirror-like appearance, enhancing the steel's aesthetic appeal.

2. BRUSHED POLISH

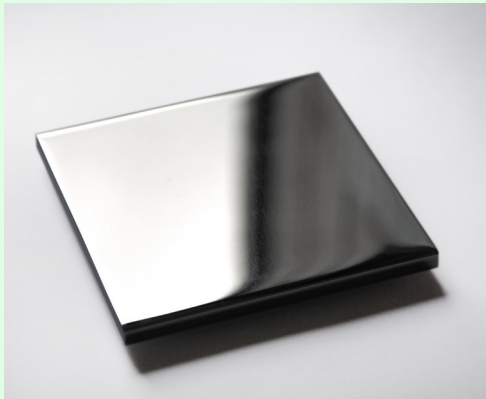
Stainless steel with a brushed polish finish undergoes a process involving abrasive belts which create fine parallel lines on the surface, giving it a muted sheen and a directional texture.

3. BEAD BLASTED

Stainless steel with a bead blasted finish is textured using abrasive glass beads, resulting in a non-reflective, matte surface. This finish provides a uniform appearance with a soft texture while maintaining the steel's corrosion resistance.

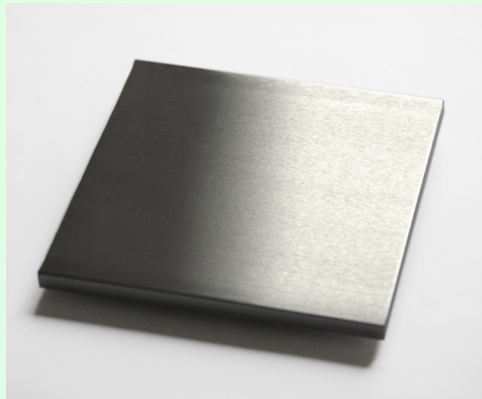
Maintaining Stainless Steel

Prior to shipping, our stainless steel has been passivated to ASTM A380 and ASTM 976 01-8.1 to ensure the highest standard. Rust spots or 'tea stains' can occur on the surface, these are normally caused by contamination from carbon steel, particularly in areas where construction work has been undertaken. Such stains can be removed using a non-abrasive rust remover such as RC Disox supplied by Abcon Industrial Products Ltd. Follow chemical manufacturers' health and safety instructions and take extreme care to protect any other surfaces from exposure to the chemical.



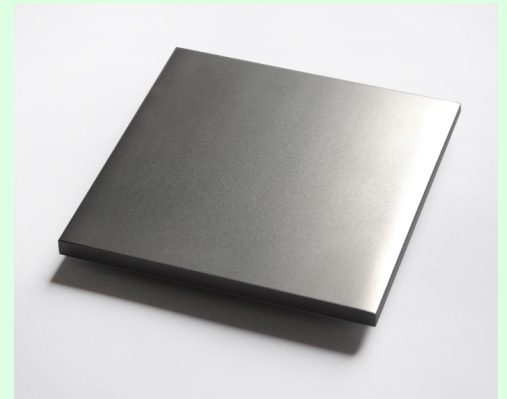
MIRROR POLISHED STAINLESS STEEL

To clean mirror polished stainless steel, use only a non-abrasive sponge or cloth as abrasive materials will damage the mirror-like appearance of the finish. The material should be cleaned using mild detergents and warm water.



BRUSH POLISHED STAINLESS STEEL

To clean brush polished stainless steel, a non abrasive cloth or sponge used with warm water and mild detergent is recommended. If abrasive cleaning is required, use an abrasive fibre pad (such as Scotch-Brite™), not wire wool. Use a straight back-forward rubbing action parallel to the grain in the material.



BEAD BLASTED STAINLESS STEEL

To clean bead blasted stainless steel, a non abrasive cloth or sponge used with warm water and mild detergent is recommended. If abrasive cleaning is required, use an abrasive fibre pad (such as Scotch-Brite™), not wire wool. Use random circular rubbing actions when cleaning the material.

Maintaining Galvanized Steel



MAINTENANCE

Galvanized mild steel is well-known for its durability and low maintenance. The zinc coating on galvanized mild steel provides excellent protection against corrosion, making it highly durable and suitable for outdoor applications.

To maintain the original appearance of the metalwork, regular cleaning with mild soap and water helps remove dirt, grime, and other surface contaminants. Avoid harsh abrasives or cleaners that may damage the protective zinc coating.

Should the coating become damaged and the steel beneath exposed, it is often possible to repair small areas by the application of zinc-rich paints. These paints contain a high concentration of zinc dust or zinc particles suspended in a binder. When applied to the damaged area, the zinc in the paint forms a protective barrier that helps prevent corrosion.