


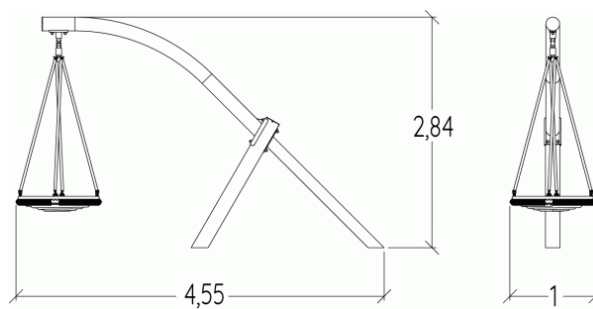
 **2+**
 **5**
 **1,6m**



 1 = 4,55m
 2 = 1,1m
 3 = 2,84m



Physical inclusion
Sensory inclusion
Cognitive inclusion



Play value :

4

meeting



x1

swinging



x1

balancing



x1


rotating



x1


Installation of equipment

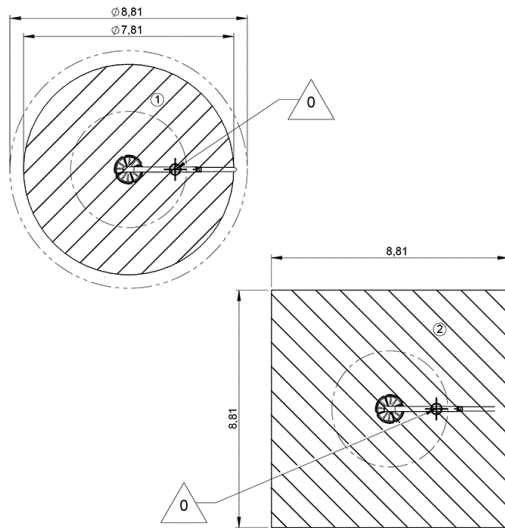
IMPORTANT: It is essential to refer to the installation instructions for information on the size of the safety areas.



 Impact area (minimum normative surface)

 Free space

 Zone d'Impact Sol souple
Impact Area Wetpour
Area de Impacto
Fallraum bei synthetischem Fallschutz

 Zone d'Impact Sol fluent
Impact Area Loose particle material
Arenero
Fallraum bei losem Bodenmaterial



		
1	1,6m	48m ²



3



03h00



1.92m³



48m²



373kg



127kg

