


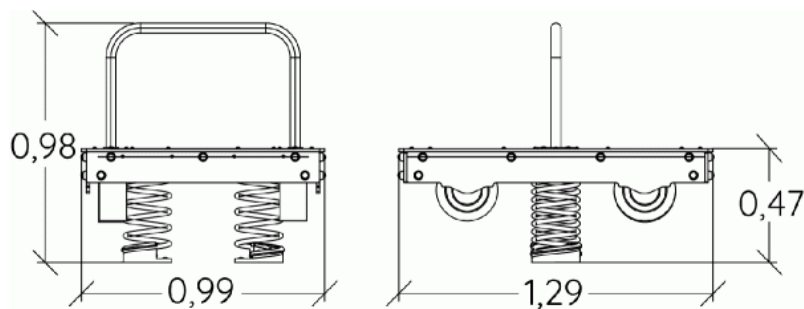
 **3+**
 **4**
 **0,6m**



 1 = 1,29m
 2 = 0,99m
 3 = 0,98m



Physical inclusion
Sensory inclusion
Cognitive inclusion



Play value : **4**

role play

meeting

balancing

Oscillate



x1



x1



x1

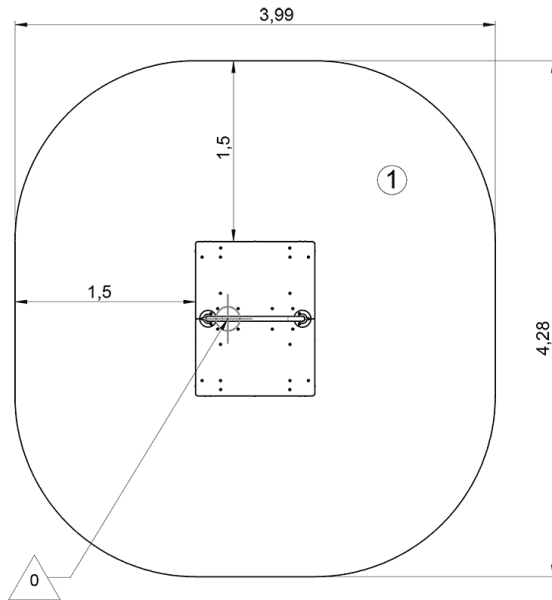




x1

Installation of equipment

IMPORTANT: It is essential to refer to the installation instructions for information on the size of the safety areas.

-  Impact area (minimum normative surface)
-  Free space



		
1	0,6m	15m ²



2

02h00

0m³

15m²

127kg

11kg

