



2+



14



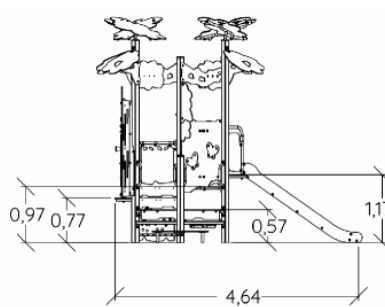
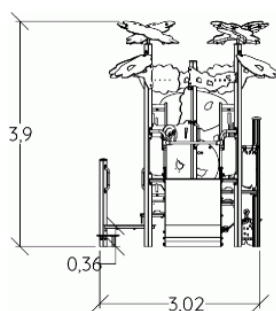
1,17m



1 = 4,64m  
2 = 3,02m  
3 = 3,9m



Physical inclusion  
Sensory inclusion  
Cognitive inclusion



Play value :

26

role play



x3

sliding



x1

meeting



x2

resting



x2

handling



x3

swinging



x2

hiding



x1

taking shelter



x1

thinking



x1

sound stimulation



x2

tactile stimulation



x4

visual stimulation



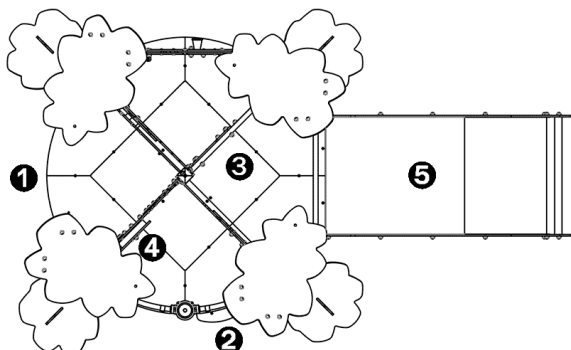
x3

climbing



x1



## Components

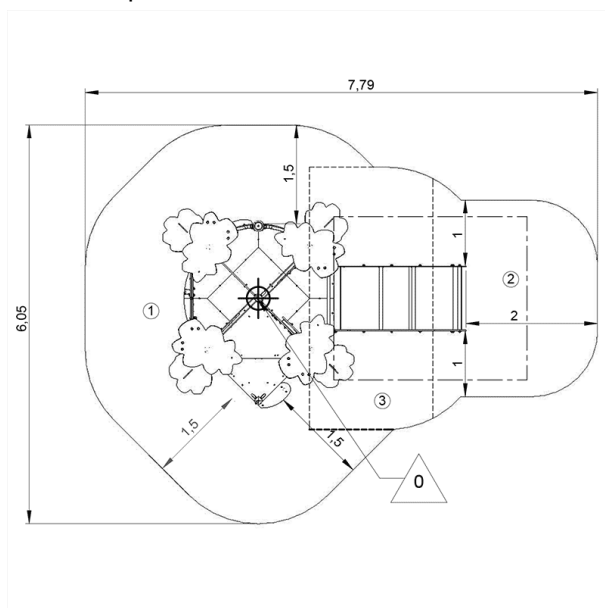


- ❶ Butterfly play panel
- ❷ Shop
- ❸ 2-seater suspended seats
- ❹ Panneau ludique disque sonore
- ❺ plate-forme Ht : 1,17 m

## Installation of equipment

**IMPORTANT:** It is essential to refer to the installation instructions for information on the size of the safety areas.

-  Impact area (minimum normative surface)
-  Free space



1	0,6m	18,5m <sup>2</sup>
2	1m	7,5m <sup>2</sup>
3	1,17m	7,5m <sup>2</sup>



2



18h00



1.3m<sup>3</sup>



33.5m<sup>2</sup>



727kg



46kg

EN

1176