


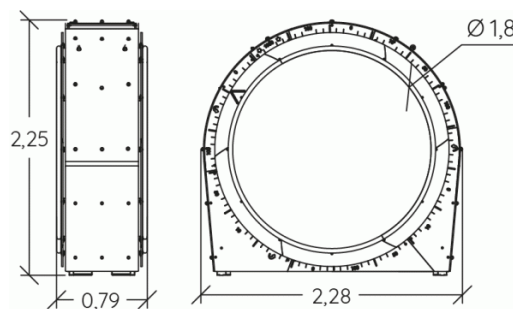
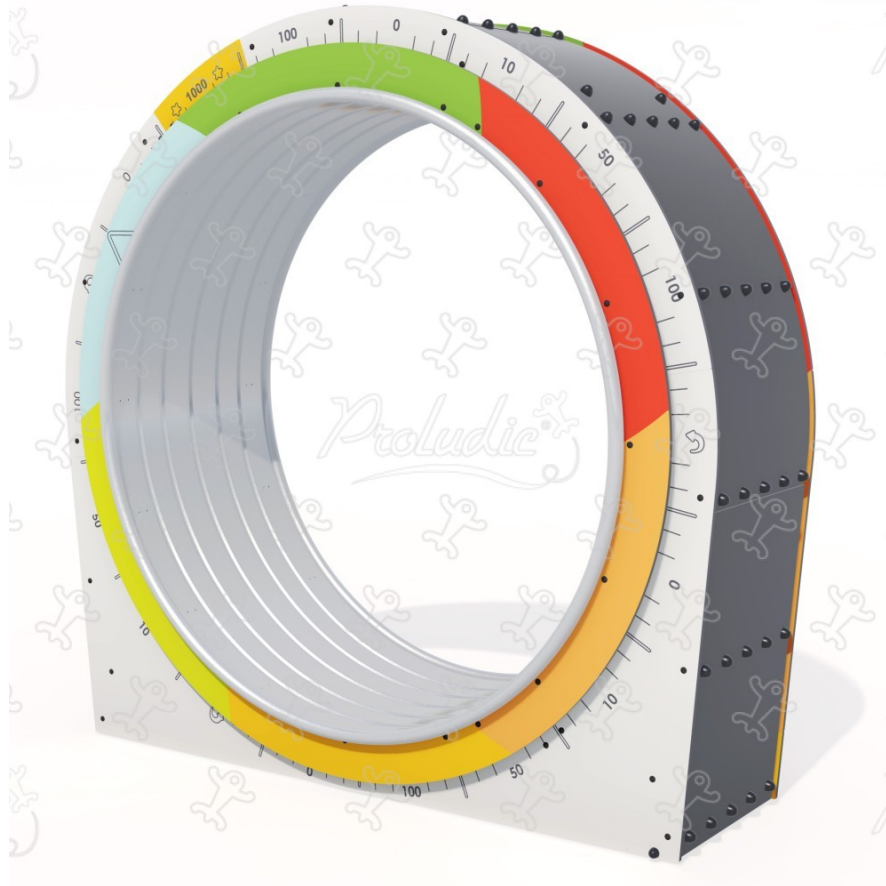
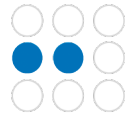
 6+
  3
  0,7m


 1 = 2,28m
 2 = 0,79m
 3 = 2,25m



Physical inclusion
Sensory inclusion
Cognitive inclusion





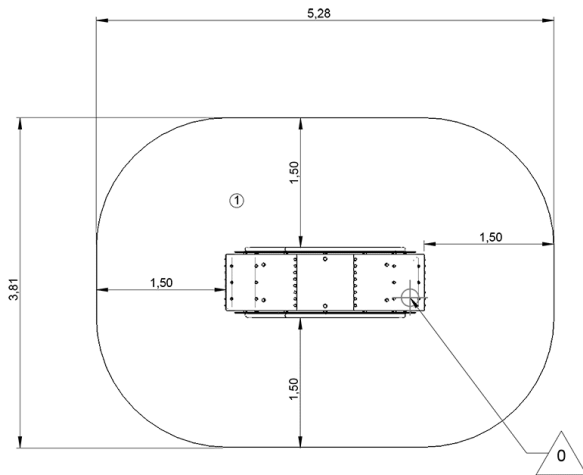
Play value : **5**



role play	meeting	balancing	rotating	visual stimulation
				
x1	x1	x1	x1	x1

Installation of equipment

IMPORTANT: It is essential to refer to the installation instructions for information on the size of the safety areas.

-  Impact area (minimum normative surface)
-  Free space



		
1	0,7m	18,5m ²



2



4h00



0.5m³



18.5m²



346kg



302kg

