


 **3+**
 **1**
 **1m**


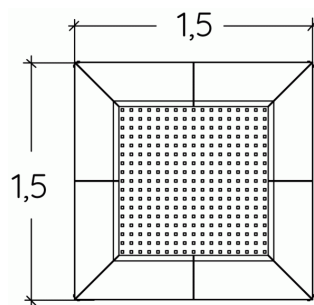
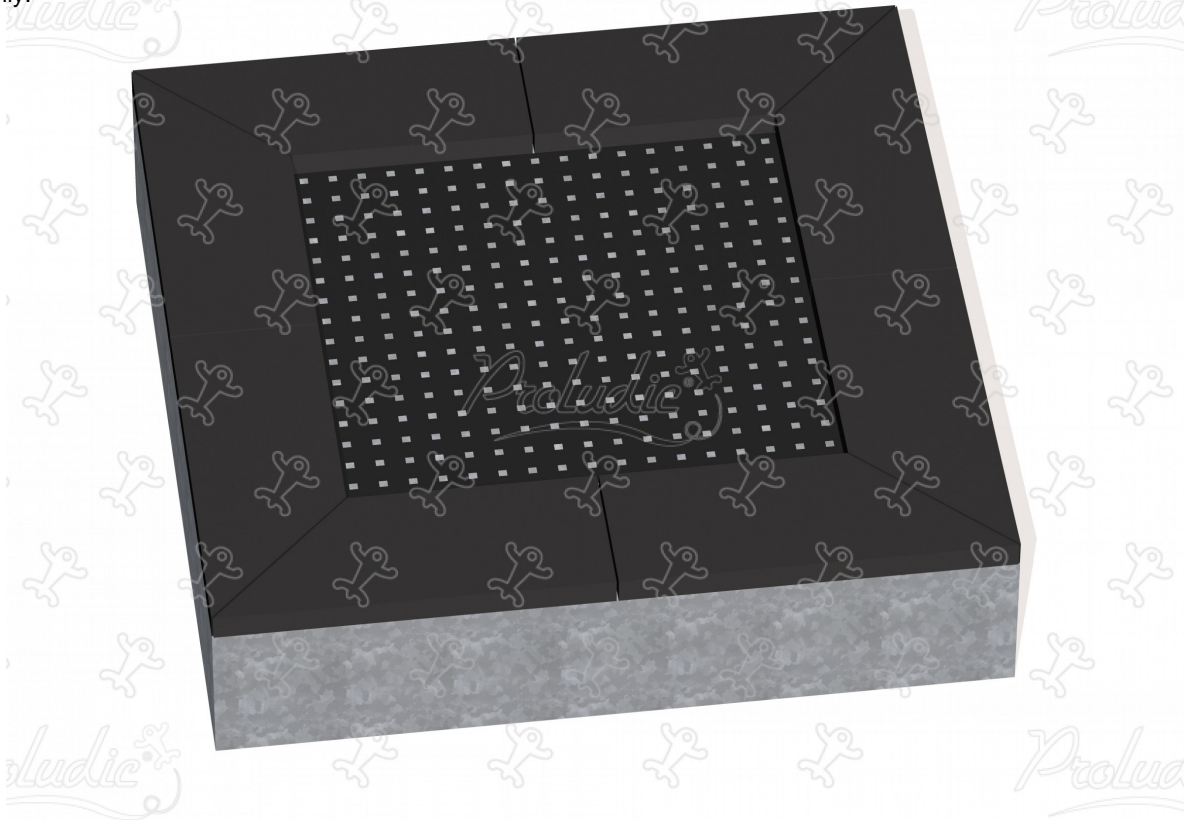
 1 = 1,5m
 2 = 1,5m
 3 = 0,03m



Physical inclusion
Sensory inclusion
Cognitive inclusion



The space above the trampoline must be free from any obstacle up to a height of 3.50 metres, measured from the bounce surface. Manual wheelchairs only.



Play value : **3**

meeting



x1

jumping



x1

balancing

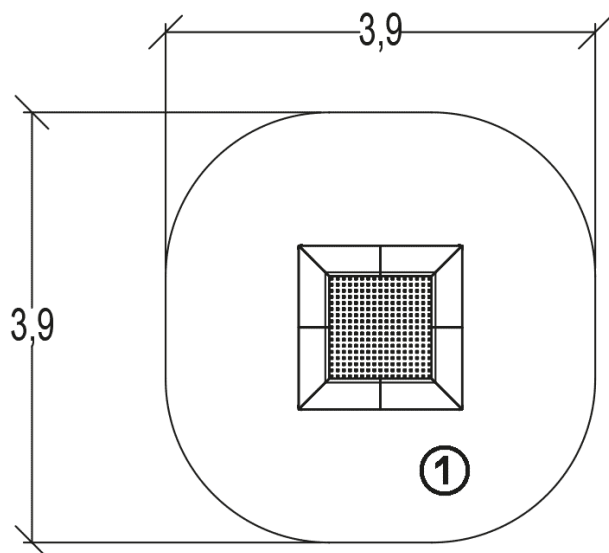




x1

Installation of equipment

IMPORTANT: It is essential to refer to the installation instructions for information on the size of the safety areas.

-  Impact area (minimum normative surface)
-  Free space



		
1	1m	11,5m ²



2



01h00



0m³



11.5m²



170kg



-

