



2+



4



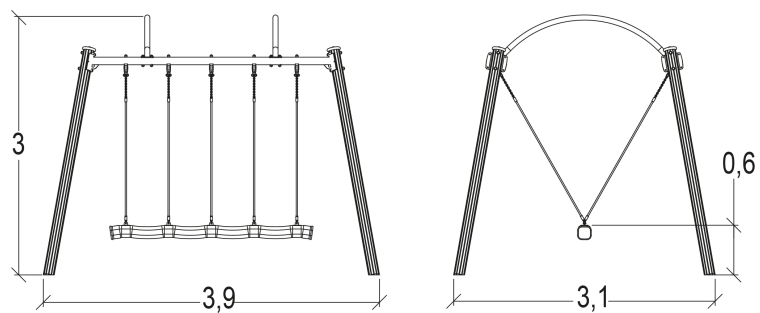
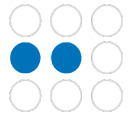
1,5m



1 = 3,07m
2 = 3,93m
3 = 3,01m



Physical inclusion
Sensory inclusion
Cognitive inclusion



Play value : **3**

meeting



x1

swinging



x1

balancing





x1

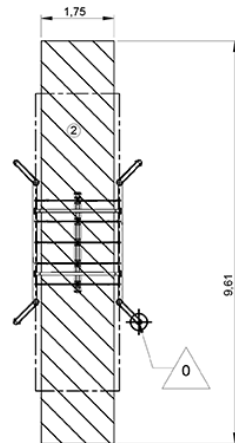
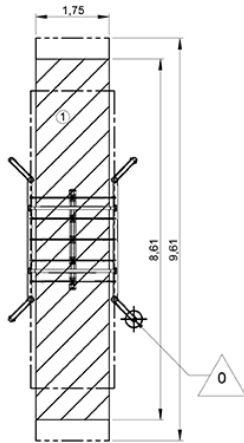
Installation of equipment

IMPORTANT: It is essential to refer to the installation instructions for information on the size of the safety areas.

———— Impact area (minimum normative surface)
- - - - - Free space

 Zone d'Impact Sol souple
Impact Area Wetpour
Area de Impacto
Fallraum bei synthetischem Fallschutz

 Zone d'Impact Sol fluent
Impact Area Loose particle material
Arenero
Fallraum bei losem Bodenmaterial



1	1,5m	15,5m ²
2	1,5m	17m ²



2

03h00

0.3m³

15.5m²

205kg

19kg

