



3+



30



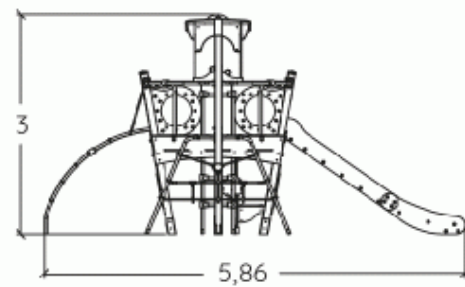
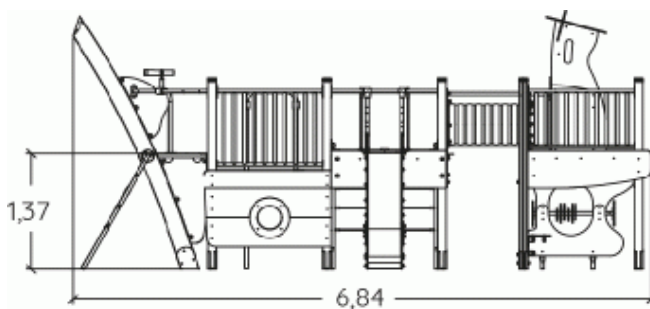
1,37m



1 = 5,86m
2 = 6,84m
3 = 0m



Physical inclusion
Sensory inclusion
Cognitive inclusion



Play value :

31

role play



x3

sliding



x1

meeting



x3

resting



x1

handling



x3

crawling



x2

hiding



x5

taking shelter



x1

tactile stimulation



x3

visual stimulation



x2

climbing



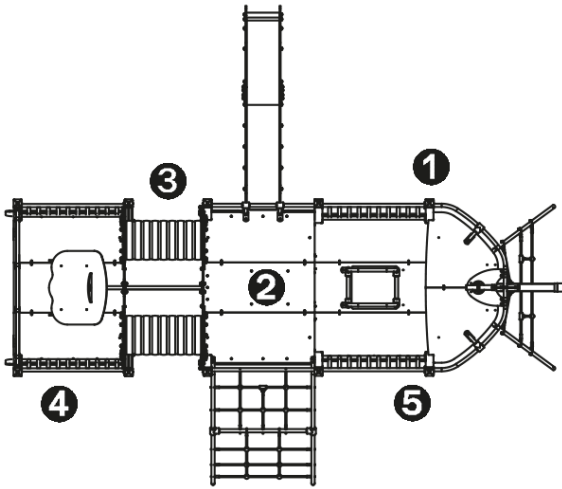
x3

getting across



x4



Components

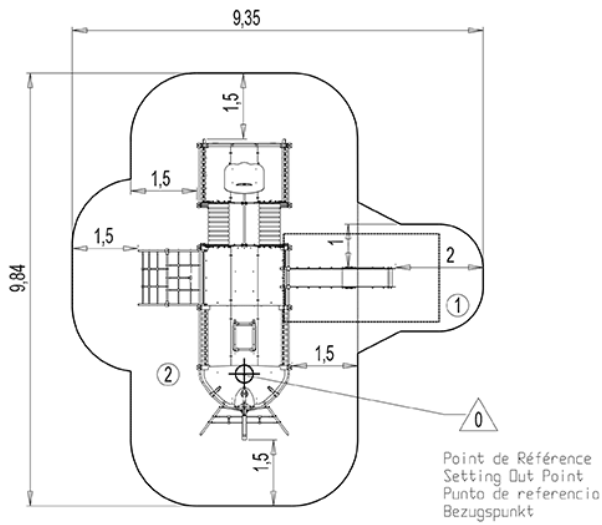


- ❶ LA PROUE
- ❷ FILET + TOBOGGAN
- ❸ LES TUNNELS
- ❹ LA POUPE
- ❺ Balustrade

Installation of equipment

IMPORTANT: It is essential to refer to the installation instructions for information on the size of the safety areas.

-  Impact area (minimum normative surface)
-  Free space



1	1m	7m ²
2	1,37m	54m ²



2



42h00



0.7m³



61m²



1091kg



33kg

