

BENKERTBÄNKE



Ontigo

form
follows
you.





Ontigo

MATERIAL

Printed from 100% recycled PET film reinforced with glass fiber for maximum stability.

Print the future

Street furniture rethought.

At BENKERT BÄNKE, we are rethinking street furniture - with state-of-the-art large-scale 3D printing technology and over 40 years of experience in the production of high-quality outdoor furniture. Our latest step towards the future: the use of a large-format 3D printer, with which we produce individual, modular and sustainable furniture for outdoor and indoor use - attractive, functional and future-proof.

Think big – design the urban spaces of tomorrow with us.

For rooms that don't tolerate design, but demand it.

Forms that are created from recycled materials.

Surfaces that remain.

Printed for change.

Developed for places that want the future.

And accompanied by what has characterised us for four decades: precision, durability and responsibility.



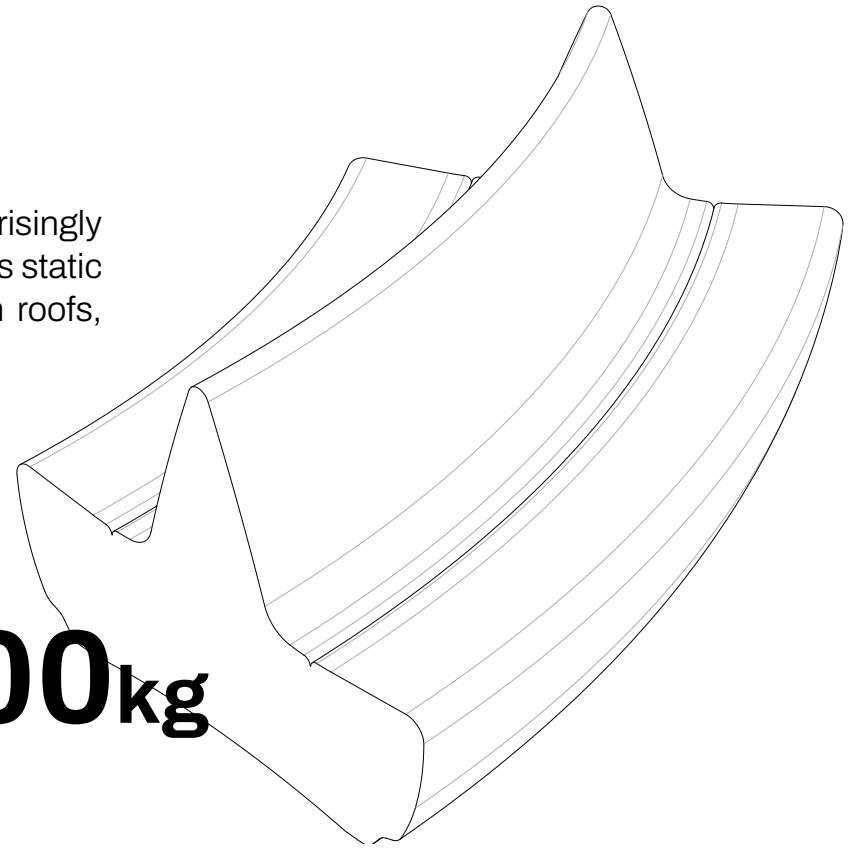
watch video



Real lightweight

Our furniture doesn't just look solid - it is solid. At the same time, they are surprisingly light and much easier to handle than concrete or stone. The low weight reduces static requirements, saves resources and opens up new areas of application - on roofs, indoors or on sensitive surfaces.

177kg
instead of 3800kg



Easy to assemble

Each module is well thought out - forklift-compatible, easily accessible and can be assembled by just two people. Heavy-duty cranes or special equipment? Not necessary. Instead of complex logistics: a simple process that saves time and is quickly effective. Impressive installations are created in no time at all - precisely positioned, efficiently assembled.



watch video



100% recyclable

The PET used in our 3D products comes from 100% recycled film. But we think further: as a certified sustainable company, we pay attention to responsibility at every step - from material to production. All products that leave our site - whether made from PET or stainless steel - are 100% recyclable. For today, tomorrow and the day after tomorrow.



watch video



The new generation of *Street Furniture.*



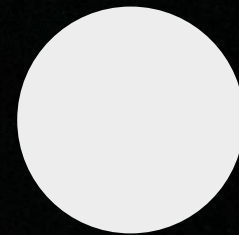
We are not 3D printers - we are street furniture specialists. For over 40 years, we at BENKERT BÄNKE have been designing and manufacturing durable street furniture at our company headquarters in Bavaria. With the ONTIGO product series, we are adding a new technology to our range that enables new shapes and new freedom in design. But the printed element is just the beginning: it is only through our expertise in stainless steel processing that each product becomes what it should be - functional, robust and well thought-out down to the last detail.

Three colors. *Three characters.*

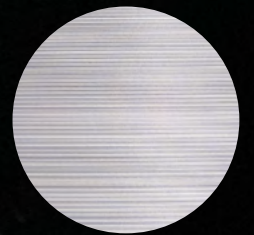
All three colour variants are grooved, matt, pleasant to the touch and easy to clean - ideal for long-lasting applications with a high-quality appearance.



Anthracite



White



Mixed grey

More than 8500 colours are available for the stainless steel elements - standard- and DB-colors, RAL Classic, RAL Design, NCS and Pantone colours.



Why mixed grey for outdoors?

Thanks to its iridescent colour tone, it creates a lively interplay of light and shade - at the same time, it is even more resistant to dirt and signs of wear. These properties make the surface particularly resistant to vandalism and durable - ideal for heavily frequented outdoor spaces.

+ FOR INDOOR AND OUTDOOR USE
Our products work wherever design is required. Ideal for public spaces, foyers or urban squares.

+ RECYCLABLE
100% recyclable - from the first to the last layer. Sustainability is not an extra for us, but a standard.

+ COMBINED WITH STAINLESS STEEL
For maximum resistance and a high-quality finish.

+ EASY TO CLEAN AND WEATHERPROOF
Water is enough - the surface is easy to clean and defies rain, frost and heat.

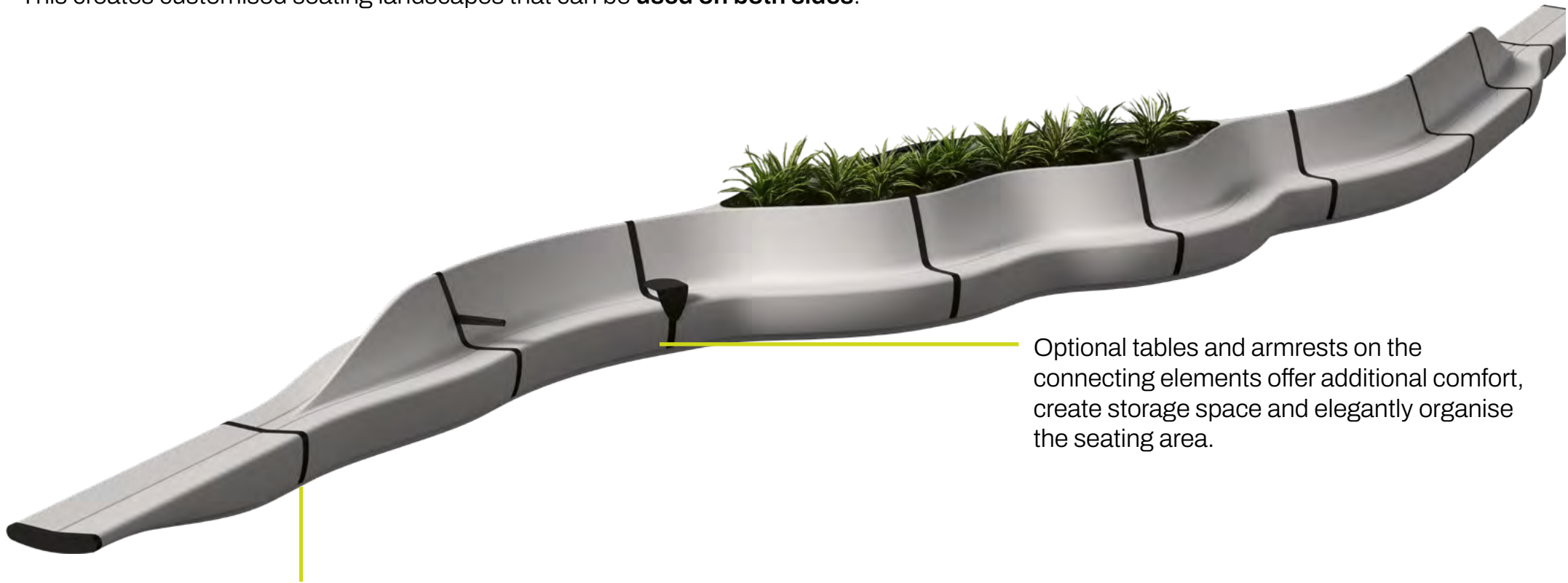
+ EXTREMELY ROBUST
The material can withstand what everyday life demands - impact-resistant, vandal-proof and permanently stable. Built for years of intensive use.

+ QUICK ASSEMBLY, EASY INSTALLATION
All elements can be moved by forklift and assembled by just two people. No heavy-duty equipment, minimum effort.

Ontigo 10

This bench sets new standards - and it continues to grow. Thanks to its modular design, it grows with every place and every idea - and creates lasting impressions. Organically shaped, sustainably manufactured and sculptural in design, it offers not just seating, but a unique experience.

Modules such as stools, benches, double seats and planters can be flexibly combined. This creates customised seating landscapes that can be **used on both sides**.



Optional tables and armrests on the connecting elements offer additional comfort, create storage space and elegantly organise the seating area.

Powder-coated stainless steel elements connect the modules securely and stylishly. The integrated **levelling function** ensures perfect stability even on uneven surfaces. Handy modules up to 2300 mm guarantee **effortless assembly** and **flexible adjustments - even retrospectively**.



At a glance

- + EASY ASSEMBLY
- + TRANSPORT WITH FORKLIFT/ PALLET TRUCK
- + MODULAR DESIGN
- + STAINLESS STEEL CONNECTIONS
- + LEVELLING FUNCTION
- + INTEGRATED DEWATERING
- + SUBSEQUENT REPLACEMENT

Clever drainage

An integrated drainage system in the seat surface drains rainwater in a controlled manner, prevents puddles and keeps the seat surfaces dry. The self-cleaning effect simply flushes away dirt particles.

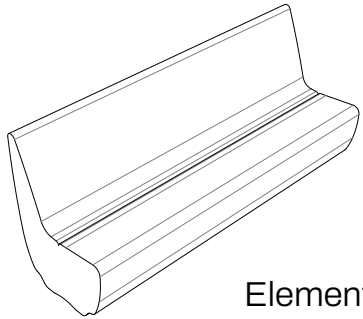


watch video

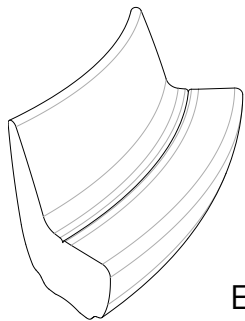


Ontigo 10 **Overview**

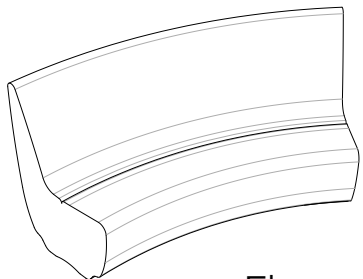
Benches



Element B01

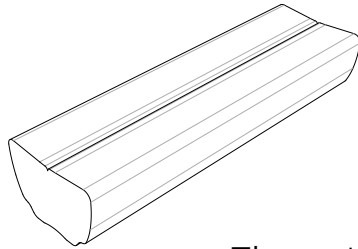


Element B02

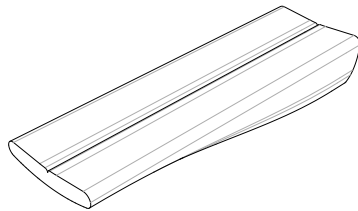


Element B03

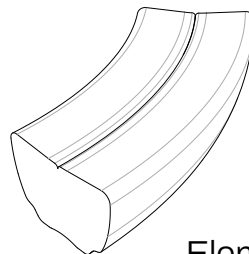
Stool benches



Element H01

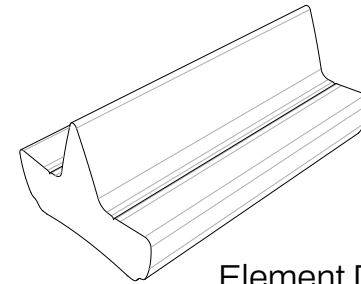


Element H02

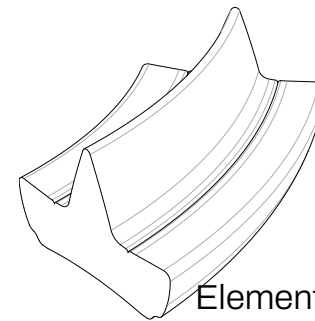


Element H03

Double benches



Element D01



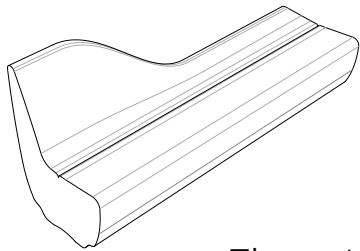
Element D02

Changes

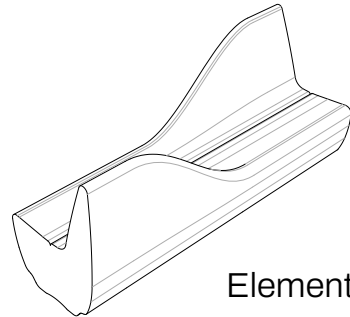


Download Design-Kit

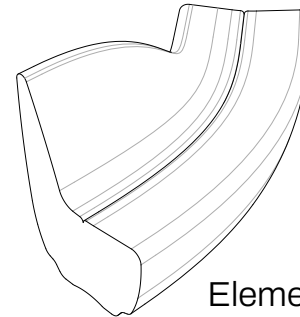
Ready to plan? All 3D data for your planning: DXF and step files - ready to use
Download now at www.ontigo.com



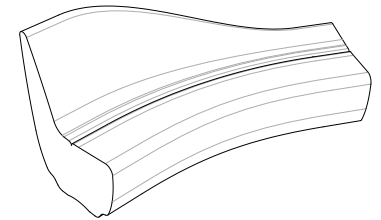
Element W01



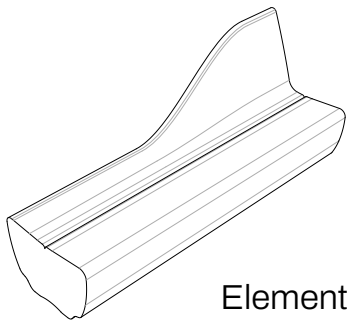
Element W03



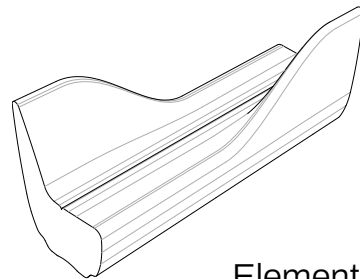
Element W05



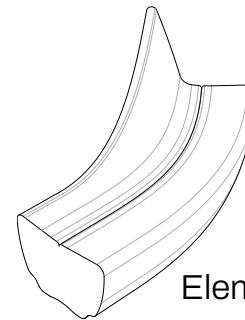
Element W07



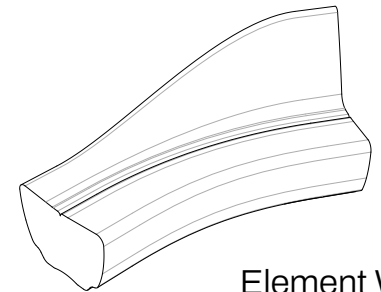
Element W02



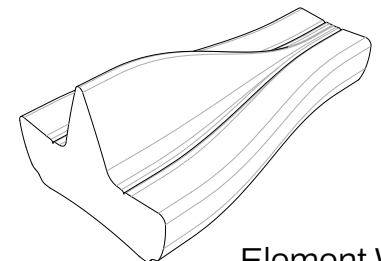
Element W04



Element W06



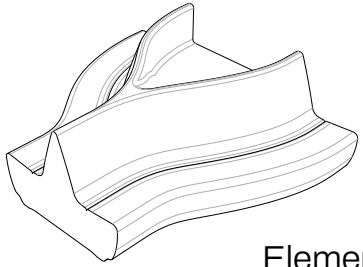
Element W08



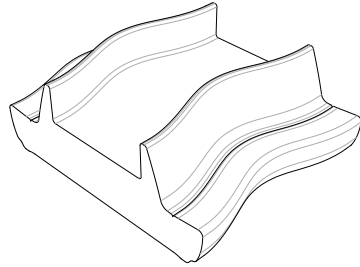
Element W09₁₃

Ontigo 10 **Overview**

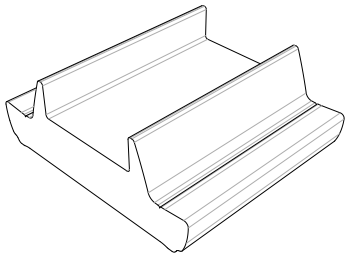
Planters



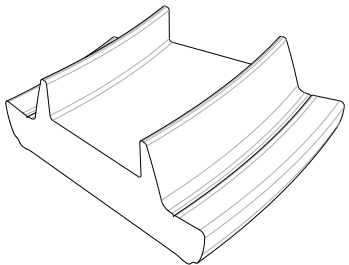
Element P01



Element P04



Element P02

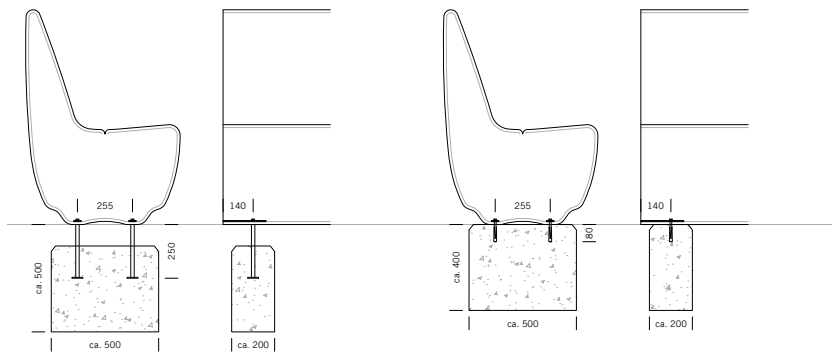


Element P03

Ontigo 10 Ground anchors

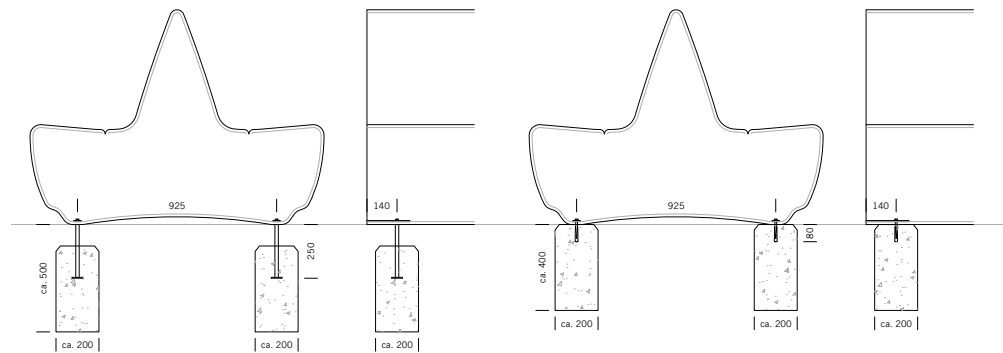
Benches

1. To concrete-in, installation depth 250 mm 2. To bolt-on, installation-depth 80 mm



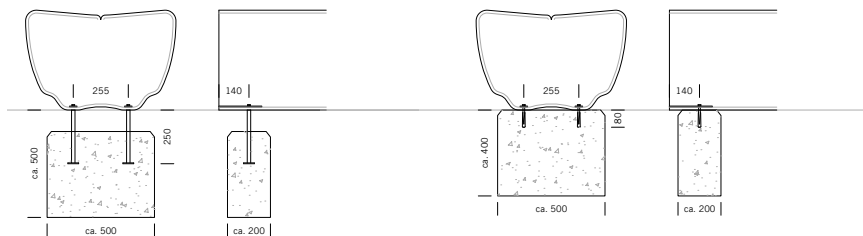
Double benches

1. To concrete-in, installation depth 250 mm 2. To bolt-on, installation-depth 80 mm



Stool benches

1. To concrete-in, installation depth 250 mm 2. To bolt-on, installation-depth 80 mm

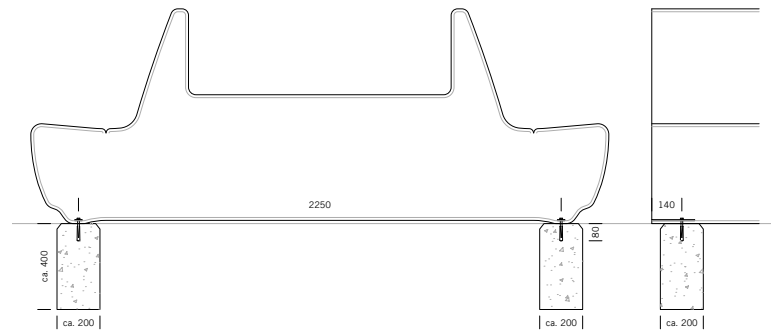
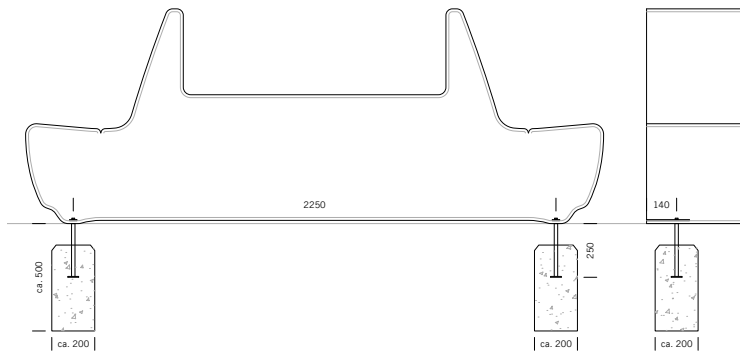


Ontigo 10 Ground anchors

Planters

1. To concrete-in, installation depth 250 mm

2. To bolt-on, installation-depth 80 mm



Ontigo 10 Accessories

Armrest



Table



Ontigo 20

Flowing shapes, gentle curves, strong effect. These planters are made for planners, who think of greenery not as an accessory, but as a defining element in the overall architectural design.

Whether as a single object or combined with optional benches - ONTIGO 20 brings organic shapes to indoor and outdoor spaces.

Practical: each element is suitable for forklift trucks and can be positioned flexibly.



The stainless steel elements for plant inserts, seating areas and plinths create strong visual accents, add further structure to the design and, with integrated water overflow, ensure lasting, attractive greenery.



At a glance

- + TRANSPORT WITH FORKLIFT/ PALLET TRUCK
- + STAINLESS STEEL AS A DESIGN FACTOR
- + LIGHTWEIGHT, STABLE, EASY TO CLEAN
- + WATER OVERFLOW TO PREVENT WATERLOGGING
- + VARIOUS SIZES
- + OPTIONAL SEATING

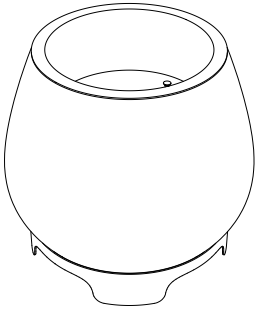
Sitting and shaping

The optional benches fit precisely into the design and create additional seating areas around the planting islands. The robust, weather-resistant surfaces are easy to maintain, durable and set stylish accents with their clear lines.

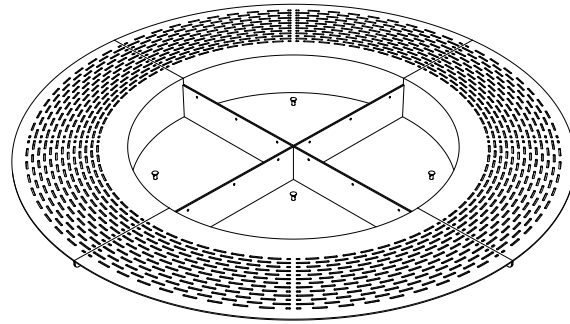


Ontigo 20 **Overview**

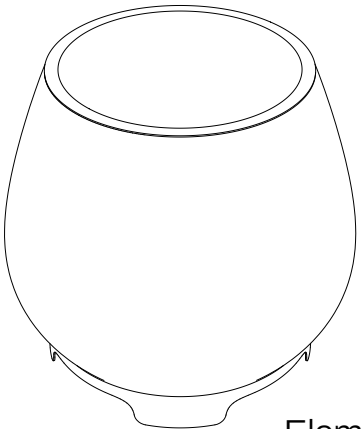
Element 01



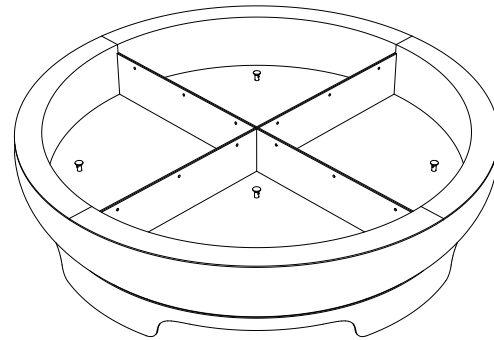
Element 01 A



Element 01 C with seating



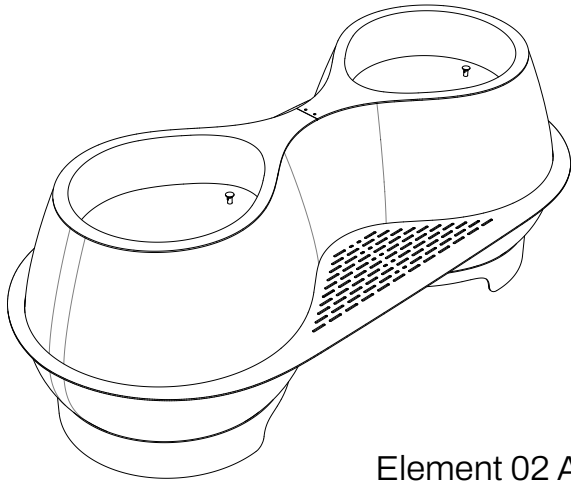
Element 01 B



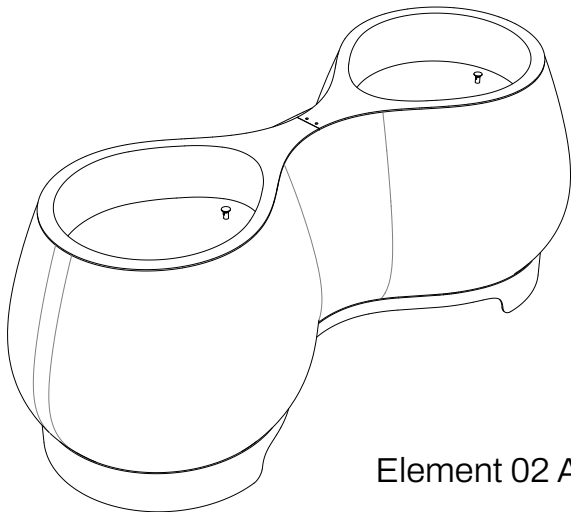
Element 01 C without seating

Ontigo 20 **Overview**

Element 02



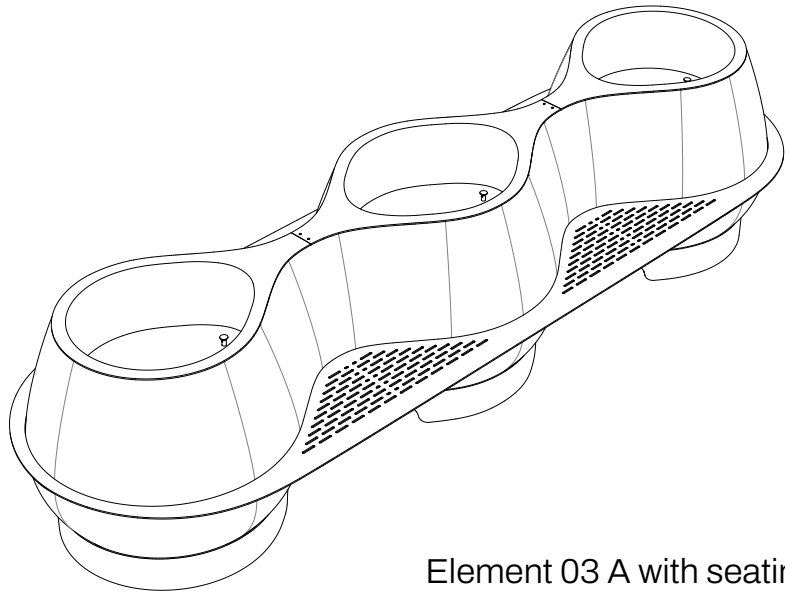
Element 02 A with seating



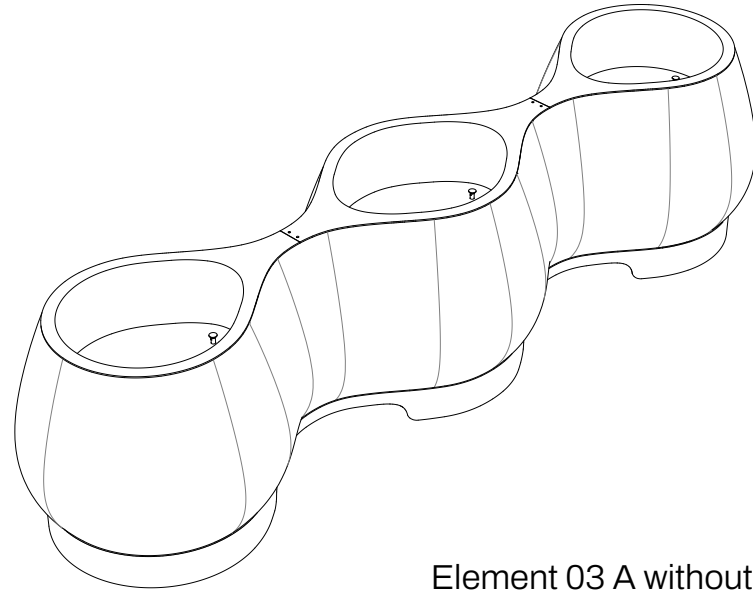
Element 02 A without seating

Ontigo 20 **Overview**

Element 03



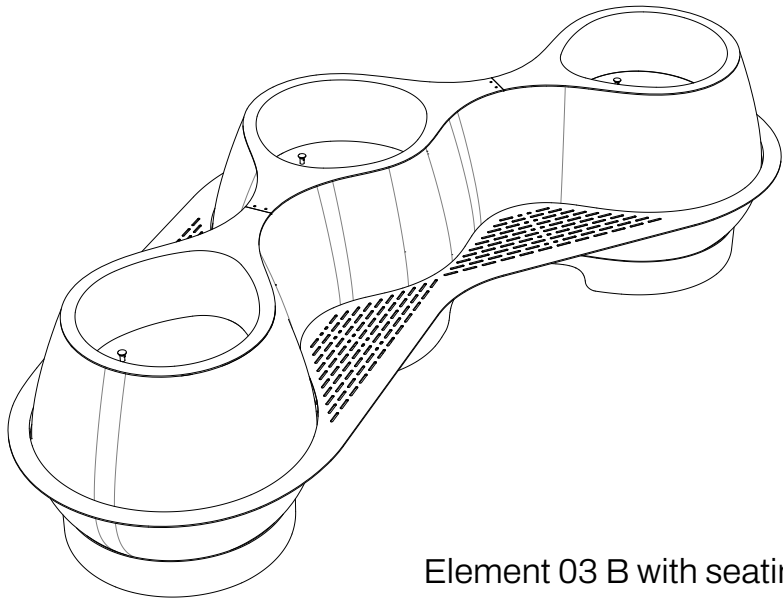
Element 03 A with seating



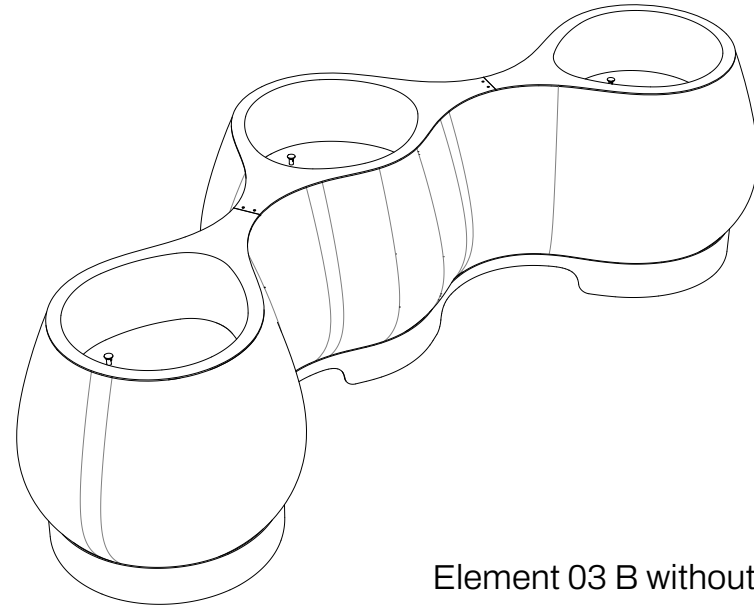
Element 03 A without seating

Ontigo 20 **Overview**

Element 03



Element 03 B with seating



Element 03 B without seating



 [watch video](#)



For more than 40 years, we have been designing and manufacturing durable products made of high-quality, recyclable stainless steel in Bavaria - individually powder-coated in over 8,500 colours. Our furniture combines modern design, functionality and sustainability.

With robust, weather-resistant materials that are 100% recyclable, we actively contribute to a more environmentally friendly future. Whether furniture, planters or other accessories for urban outdoor areas: We create inviting spaces to linger in while focussing on sustainable production, genuine craftsmanship and customer satisfaction.

We prioritise the highest quality standards - every product is precisely handcrafted. From design to the finished piece of street furniture, we offer all work steps from a single source. We are convinced that true sustainability - both ecologically and economically - is achieved through longevity. Our furniture is therefore not only aesthetically pleasing, but also extremely robust to withstand the challenges of everyday life for years to come.

We are proud to be certified as a sustainable company and to save more CO₂ than we consume. Our production does not use oil, gas or water, setting new standards for environmentally friendly manufacturing - for long-lasting products with a clear conscience.



BENKERT BÄNKE, Königsberg i. Bay.



BENKERTBÄNKE

Benkert GmbH

Leite 1

97486 Königsberg i. Bay.

Tel: +49 9525 - 9225-0

Mail: mail@benkert.info

WWW.ONTIGO.COM

Ontigo 10

Element B01

MEASURES

Length:	2300 mm
Width:	720 mm
Height:	1000 mm
Seat height:	465 mm
Weight:	162 kg

GROUND ANCHORS

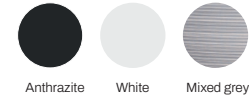
1. Concrete-in, installation depth 250 mm
2. Bolt-on, installation depth 80 mm

Printed components

Material:

100% recycled industrial foils reinforced with glass fibre

Colors:



Stainless Steel components

Material:

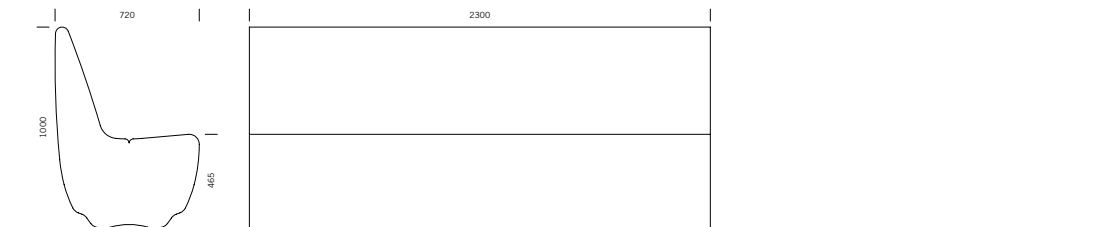
Stainless steel type 304 | powder coated

Colors:

More than 8500 colors from

- BENKERT-Colors
- RAL-DESIGN
- DB-Selection
- PANTONE
- RAL-CLASSIC
- NCS

www.benkert.info/colors



Ontigo 10

Element Bo2

MEASURES

Length:	1765 mm
Width:	1195 mm
Height:	1000 mm
Seat height:	465 mm
Weight:	127 kg

GROUND ANCHORS

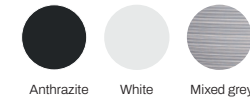
1. Concrete-in, installation depth 250 mm
2. Bolt-on, installation depth 80 mm

Printed components

Material:

100% recycled industrial foils reinforced with glass fibre

Colors:



Stainless Steel components

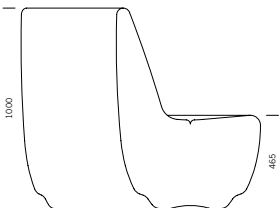
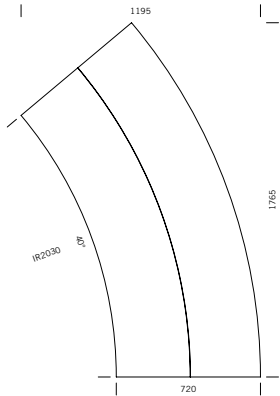
Material:

Stainless steel type 304 | powder coated

Colors: More than 8500 colors from

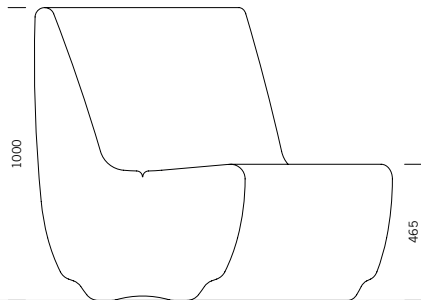
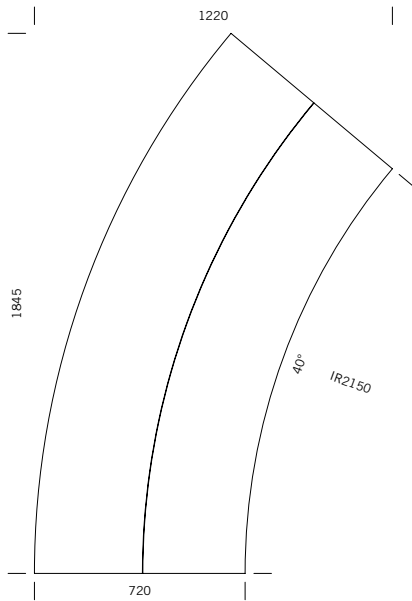
- BENKERT-Colors
- RAL-DESIGN
- DB-Selection
- PANTONE
- RAL-CLASSIC
- NCS

www.benkert.info/colors



Ontigo 10

Element B03



MEASURES

Length:	1845 mm
Width:	1220 mm
Height:	1000 mm
Seat height:	465 mm
Weight:	134 kg

GROUND ANCHORS

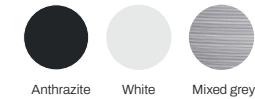
1. Concrete-in, installation depth 250 mm
2. Bolt-on, installation depth 80 mm

Printed components

Material:

100% recycled industrial foils reinforced with glass fibre

Colors:



Stainless Steel components

Material:

Stainless steel type 304 | powder coated

Colors:

More than 8500 colors from

- BENKERT-Colors
- RAL-DESIGN
- DB-Selection
- PANTONE
- RAL-CLASSIC
- NCS

www.benkert.info/colors



Ontigo 10

Element Ho1

MEASURES

Length:	2300 mm
Width:	700 mm
Height:	465 mm
Seat height:	465 mm
Weight:	137 kg

GROUND ANCHORS

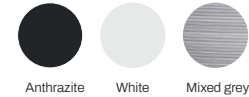
1. Concrete-in, installation depth 250 mm
2. Bolt-on, installation depth 80 mm

Printed components

Material:

100% recycled industrial foils reinforced with glass fibre

Colors:



Stainless Steel components

Material:

Stainless steel type 304 | powder coated

Colors: More than 8500 colors from

- BENKERT-Colors
- RAL-DESIGN
- DB-Selection
- PANTONE
- RAL-CLASSIC
- NCS

www.benkert.info/colors



Ontigo 10

Element Ho2

MEASURES

Length:	2300 mm
Width:	700 mm
Height:	465 mm
Seat height:	465 mm
Weight:	115 kg

GROUND ANCHORS

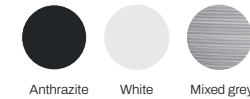
1. Concrete-in, installation depth 250 mm
2. Bolt-on, installation depth 80 mm

Printed components

Material:

100% recycled industrial foils reinforced with glass fibre

Colors:



Stainless Steel components

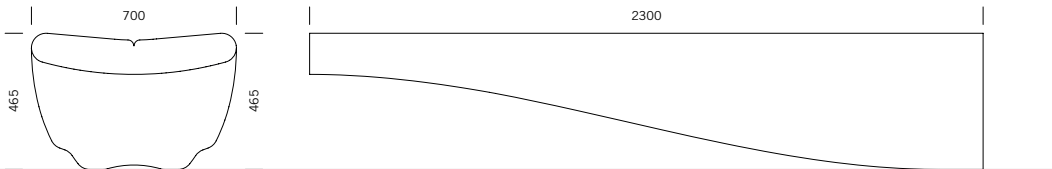
Material:

Stainless steel type 304 | powder coated

Colors: More than 8500 colors from

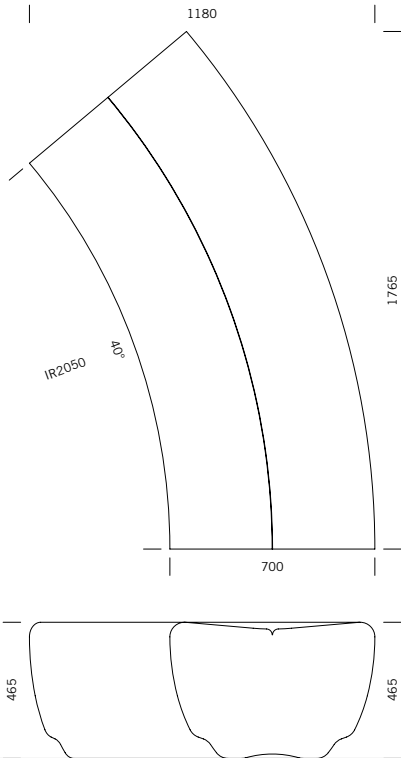
- BENKERT-Colors
- RAL-DESIGN
- DB-Selection
- PANTONE
- RAL-CLASSIC
- NCS

www.benkert.info/colors



Ontigo 10

Element Ho3



MEASURES

Length:	1765 mm
Width:	1180 mm
Height:	465 mm
Seat height:	465 mm
Weight:	106 kg

GROUND ANCHORS

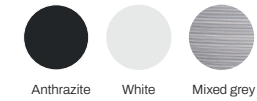
1. Concrete-in, installation depth 250 mm
2. Bolt-on, installation depth 80 mm

Printed components

Material:

100% recycled industrial foils reinforced with glass fibre

Colors:



Stainless Steel components

Material:

Stainless steel type 304 | powder coated

Colors:

More than 8500 colors from

- BENKERT-Colors
- RAL-DESIGN
- DB-Selection
- PANTONE
- RAL-CLASSIC
- NCS

www.benkert.info/colors



Ontigo 10

Element Wo1

MEASURES

Length:	2300 mm
Width:	720 mm
Height:	1000 mm
Seat height:	465 mm
Weight:	135 kg

GROUND ANCHORS

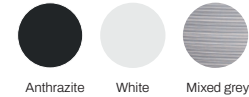
1. Concrete-in, installation depth 250 mm
2. Bolt-on, installation depth 80 mm

Printed components

Material:

100% recycled industrial foils reinforced with glass fibre

Colors:



Stainless Steel components

Material:

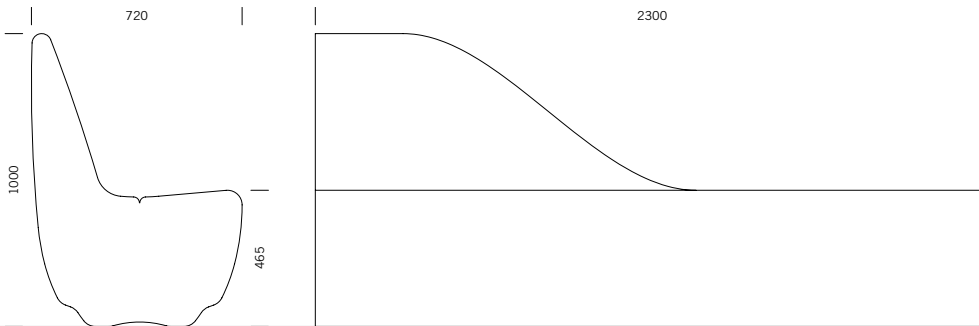
Stainless steel type 304 | powder coated

Colors:

More than 8500 colors from

- BENKERT-Colors
- RAL-DESIGN
- DB-Selection
- PANTONE
- RAL-CLASSIC
- NCS

www.benkert.info/colors



Ontigo 10

Element Wo2

MEASURES

Length:	2300 mm
Width:	720 mm
Height:	1000 mm
Seat height:	465 mm
Weight:	135 kg

GROUND ANCHORS

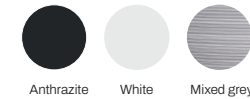
1. Concrete-in, installation depth 250 mm
2. Bolt-on, installation depth 80 mm

Printed components

Material:

100% recycled industrial foils reinforced with glass fibre

Colors:



Stainless Steel components

Material:

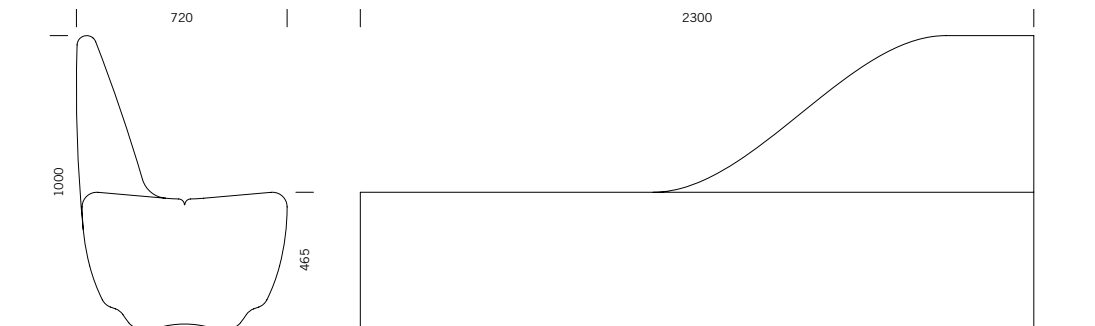
Stainless steel type 304 | powder coated

Colors:

More than 8500 colors from

- BENKERT-Colors
- RAL-DESIGN
- DB-Selection
- PANTONE
- RAL-CLASSIC
- NCS

www.benkert.info/colors



Ontigo 10

Element Wo3

MEASURES

Length:	2300 mm
Width:	740 mm
Height:	1000 mm
Seat height:	465 mm
Weight:	149 kg

GROUND ANCHORS

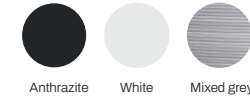
1. Concrete-in, installation depth 250 mm
2. Bolt-on, installation depth 80 mm

Printed components

Material:

100% recycled industrial foils reinforced with glass fibre

Colors:



Stainless Steel components

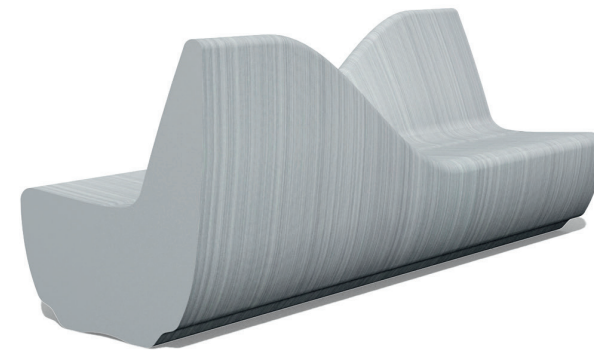
Material:

Stainless steel type 304 | powder coated

Colors:

- More than 8500 colors from
- BENKERT-Colors
 - DB-Selection
 - RAL-CLASSIC
 - RAL-DESIGN
 - PANTONE
 - NCS

www.benkert.info/colors



Ontigo 10

Element Wo4

MEASURES

Length:	2300 mm
Width:	740 mm
Height:	1000 mm
Seat height:	465 mm
Weight:	149 kg

GROUND ANCHORS

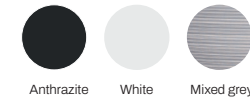
1. Concrete-in, installation depth 250 mm
2. Bolt-on, installation depth 80 mm

Printed components

Material:

100% recycled industrial foils reinforced with glass fibre

Colors:



Stainless Steel components

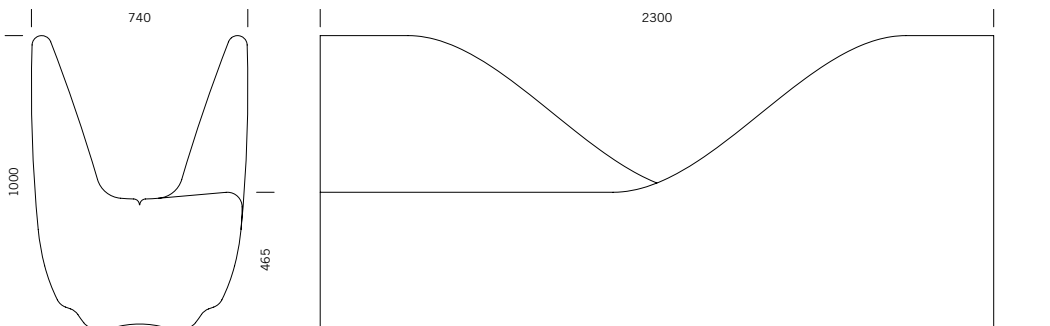
Material:

Stainless steel type 304 | powder coated

Colors:

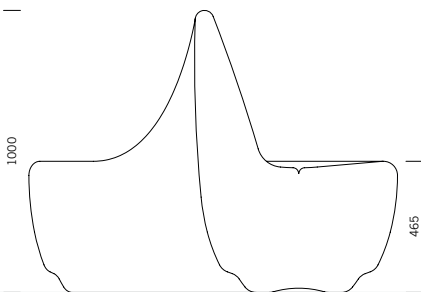
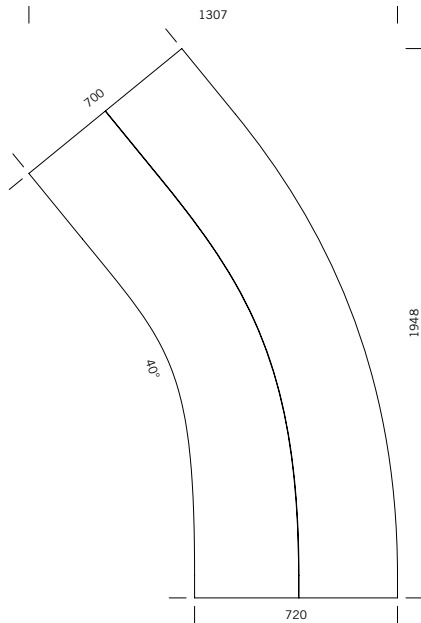
- More than 8500 colors from
- BENKERT-Colors
 - DB-Selection
 - RAL-CLASSIC
 - RAL-DESIGN
 - PANTONE
 - NCS

www.benkert.info/colors



Ontigo 10

Element Wo5



MEASURES

Length:	1950 mm
Width:	1310 mm
Height:	1000 mm
Seat height:	465 mm
Weight:	119 kg

GROUND ANCHORS

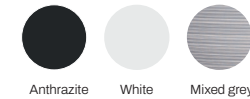
1. Concrete-in, installation depth 250 mm
2. Bolt-on, installation depth 80 mm

Printed components

Material:

100% recycled industrial foils reinforced with glass fibre

Colors:



Stainless Steel components

Material:

Stainless steel type 304 | powder coated

Colors:

More than 8500 colors from

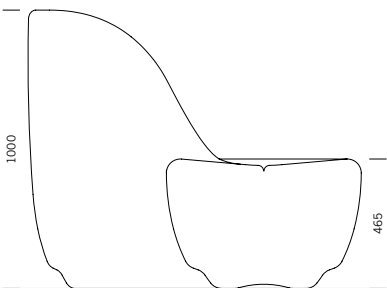
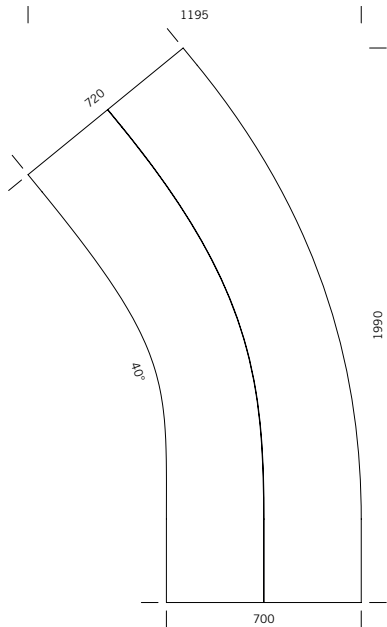
- BENKERT-Colors
- DB-Selection
- RAL-CLASSIC
- RAL-DESIGN
- PANTONE
- NCS

www.benkert.info/colors



Ontigo 10

Element Wo6



MEASURES

Length:	1990 mm
Width:	1195 mm
Height:	1000 mm
Seat height:	465 mm
Weight:	119 kg

GROUND ANCHORS

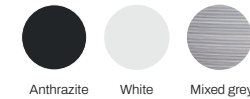
1. Concrete-in, installation depth 250 mm
2. Bolt-on, installation depth 80 mm

Printed components

Material:

100% recycled industrial foils reinforced with glass fibre

Colors:



Stainless Steel components

Material:

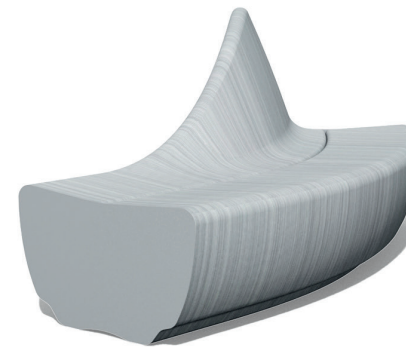
Stainless steel type 304 | powder coated

Colors:

More than 8500 colors from

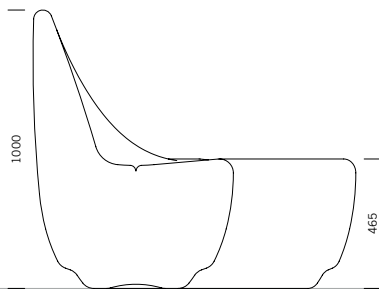
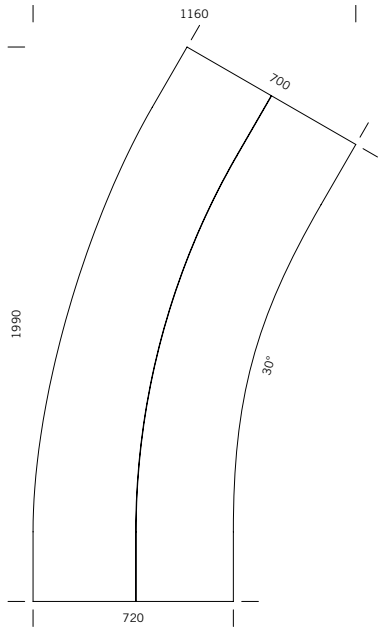
- BENKERT-Colors
- RAL-DESIGN
- DB-Selection
- PANTONE
- RAL-CLASSIC
- NCS

www.benkert.info/colors



Ontigo 10

Element Wo7



MEASURES

Length:	1990 mm
Width:	1160 mm
Height:	1000 mm
Seat height:	465 mm
Weight:	119 kg

GROUND ANCHORS

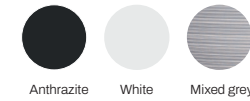
1. Concrete-in, installation depth 250 mm
2. Bolt-on, installation depth 80 mm

Printed components

Material:

100% recycled industrial foils reinforced with glass fibre

Colors:



Stainless Steel components

Material:

Stainless steel type 304 | powder coated

Colors:

More than 8500 colors from

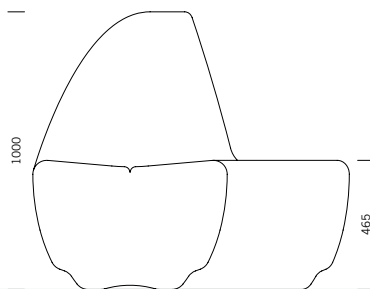
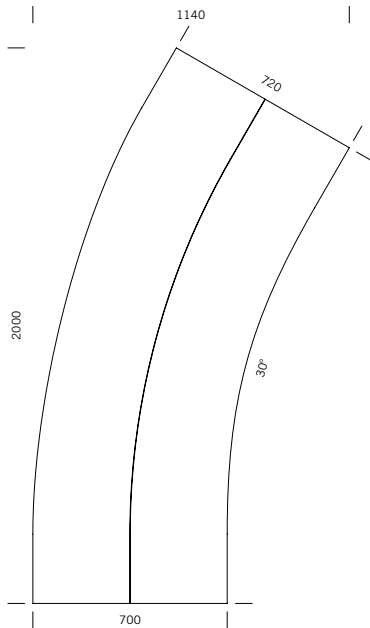
- BENKERT-Colors
- RAL-DESIGN
- DB-Selection
- PANTONE
- RAL-CLASSIC
- NCS

www.benkert.info/colors



Ontigo 10

Element Wo8



MEASURES

Length:	2000 mm
Width:	1140 mm
Height:	1000 mm
Seat height:	465 mm
Weight:	119 kg

GROUND ANCHORS

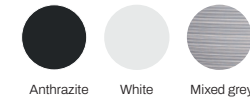
1. Concrete-in, installation depth 250 mm
2. Bolt-on, installation depth 80 mm

Printed components

Material:

100% recycled industrial foils reinforced with glass fibre

Colors:



Stainless Steel components

Material:

Stainless steel type 304 | powder coated

Colors: More than 8500 colors from

- BENKERT-Colors
- RAL-DESIGN
- DB-Selection
- PANTONE
- RAL-CLASSIC
- NCS

www.benkert.info/colors



Ontigo 10

Element W09

MEASURES

Length:	2300 mm
Width:	1370 mm
Height:	1000 mm
Seat height:	465 mm
Weight:	189,5 kg

GROUND ANCHORS

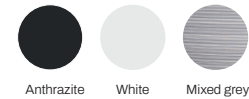
1. Concrete-in, installation depth 250 mm
2. Bolt-on, installation depth 80 mm

Printed components

Material:

100% recycled industrial foils reinforced with glass fibre

Colors:



Stainless Steel components

Material:

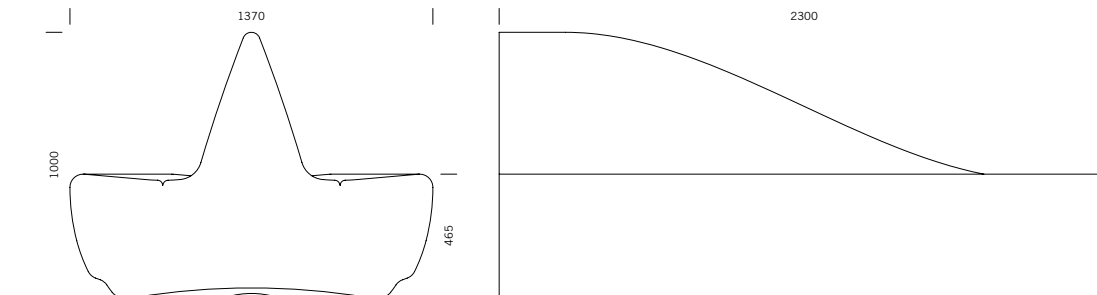
Stainless steel type 304 | powder coated

Colors:

More than 8500 colors from

- BENKERT-Colors
- DB-Selection
- RAL-CLASSIC
- RAL-DESIGN
- PANTONE
- NCS

www.benkert.info/colors



Ontigo 10

Element D01

MEASURES

Length:	2300 mm
Width:	1370 mm
Height:	1000 mm
Seat height:	465 mm
Weight:	258 kg

GROUND ANCHORS

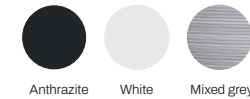
1. Concrete-in, installation depth 250 mm
2. Bolt-on, installation depth 80 mm

Printed components

Material:

100% recycled industrial foils reinforced with glass fibre

Colors:



Stainless Steel components

Material:

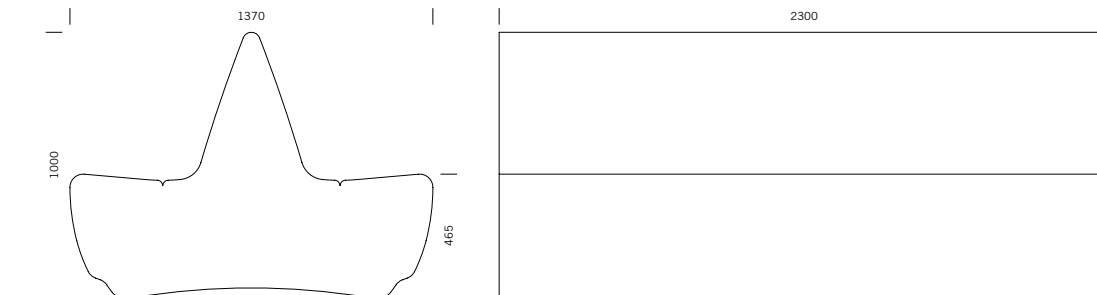
Stainless steel type 304 | powder coated

Colors:

More than 8500 colors from

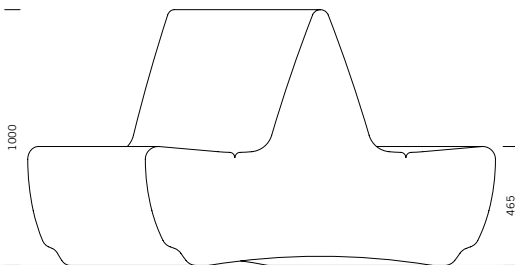
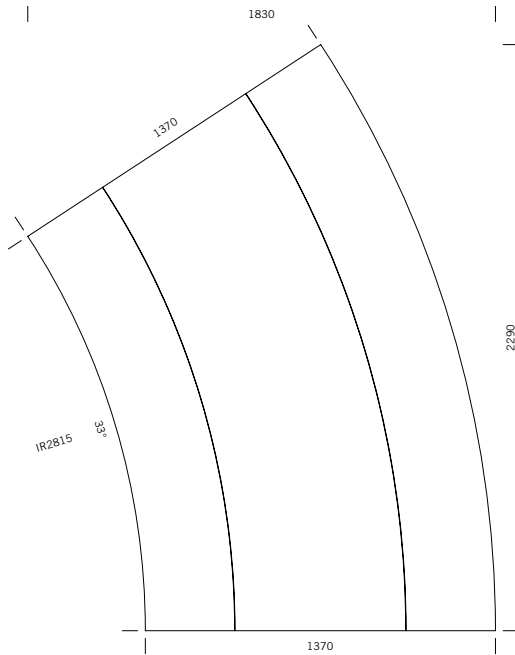
- BENKERT-Colors
- RAL-DESIGN
- DB-Selection
- PANTONE
- RAL-CLASSIC
- NCS

www.benkert.info/colors



Ontigo 10

Element Do2



MEASURES

Length:	2290 mm
Width:	1830 mm
Height:	1000 mm
Seat height:	465 mm
Weight:	248 kg

GROUND ANCHORS

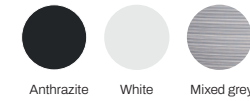
1. Concrete-in, installation depth 250 mm
2. Bolt-on, installation depth 80 mm

Printed components

Material:

100% recycled industrial foils reinforced with glass fibre

Colors:



Stainless Steel components

Material:

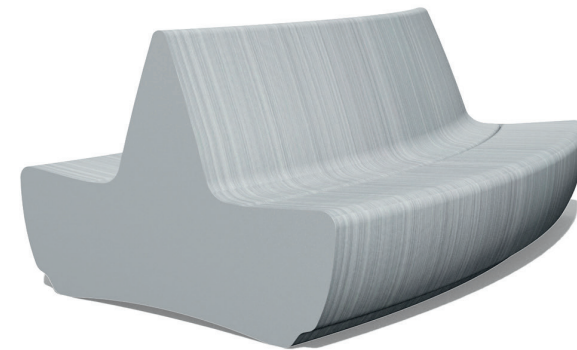
Stainless steel type 304 | powder coated

Colors:

More than 8500 colors from

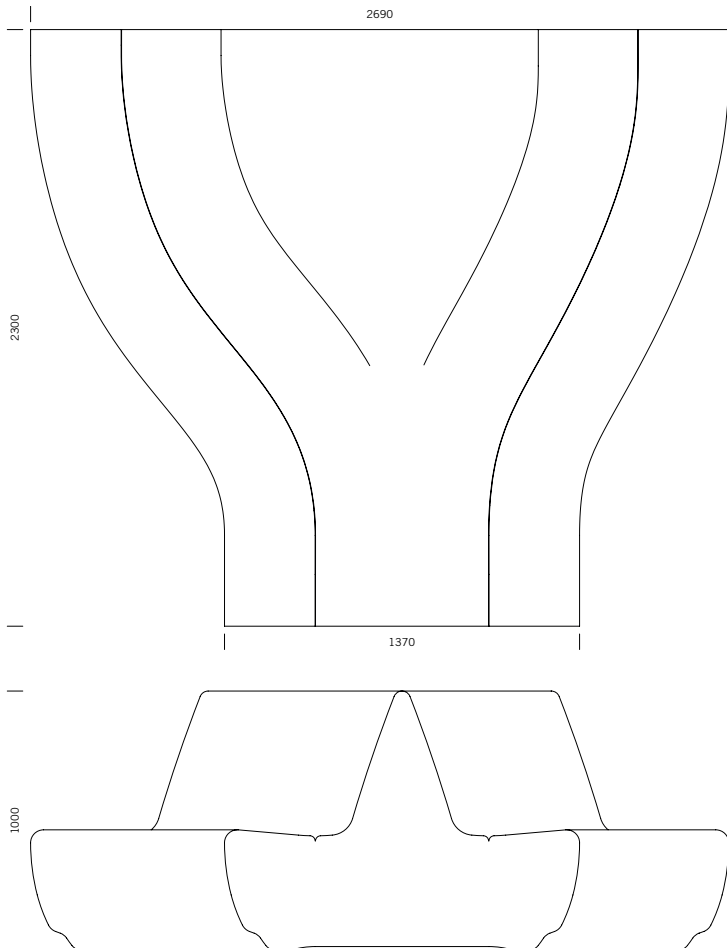
- BENKERT-Colors
- RAL-DESIGN
- DB-Selection
- PANTONE
- RAL-CLASSIC
- NCS

www.benkert.info/colors



Ontigo 10

Element Po1



MEASURES

Length:	2300 mm
Width:	2690 mm
Height:	1000 mm
Seat height:	465 mm
Weight:	445 kg

GROUND ANCHORS

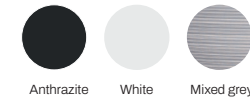
1. Concrete-in, installation depth 250 mm
2. Bolt-on, installation depth 80 mm

Printed components

Material:

100% recycled industrial foils reinforced with glass fibre

Colors:



Stainless Steel components

Material:

Stainless steel type 304 | powder coated

Colors:

- More than 8500 colors from
- BENKERT-Colors
 - DB-Selection
 - RAL-CLASSIC
 - RAL-DESIGN
 - PANTONE
 - NCS

www.benkert.info/colors



Ontigo 10

Element Po2

MEASURES

Length:	2300 mm
Width:	2690 mm
Height:	1000 mm
Seat height:	465 mm
Weight:	557 kg

GROUND ANCHORS

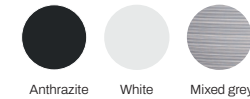
1. Concrete-in, installation depth 250 mm
2. Bolt-on, installation depth 80 mm

Printed components

Material:

100% recycled industrial foils reinforced with glass fibre

Colors:



Stainless Steel components

Material:

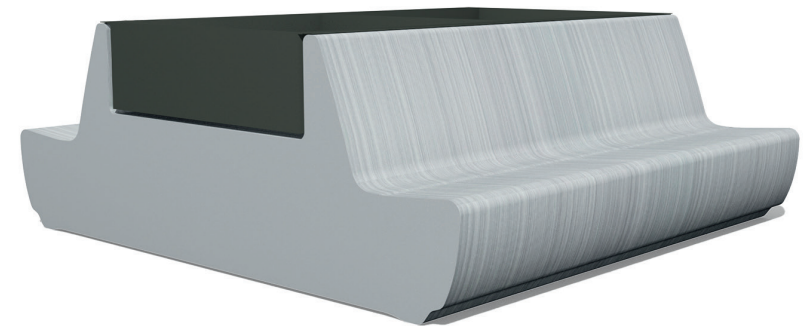
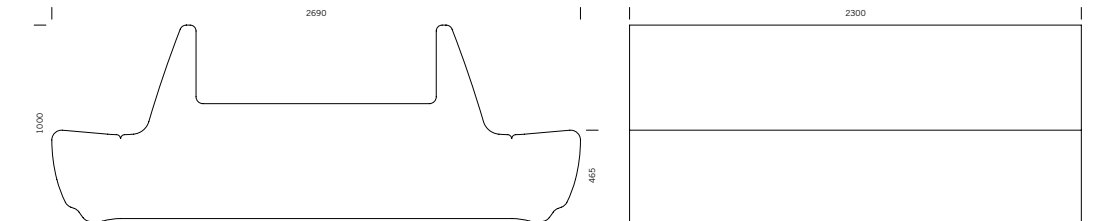
Stainless steel type 304 | powder coated

Colors:

More than 8500 colors from

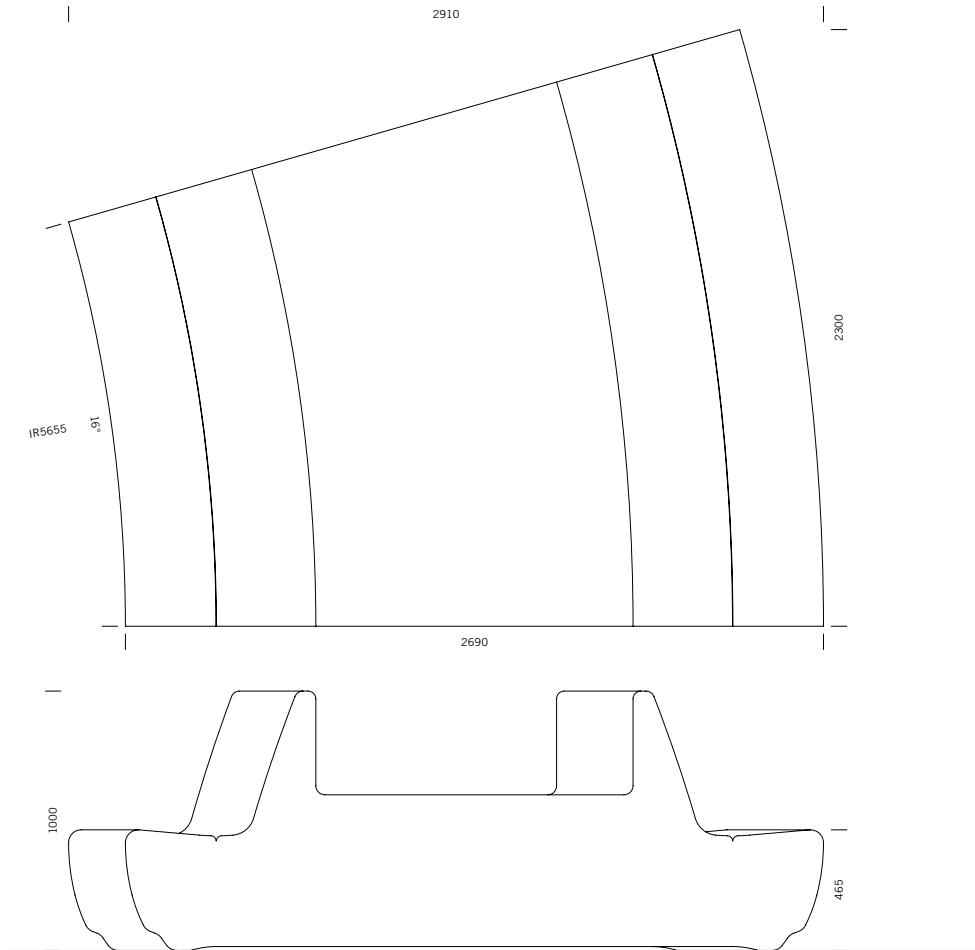
- BENKERT-Colors
- DB-Selection
- RAL-CLASSIC
- RAL-DESIGN
- PANTONE
- NCS

www.benkert.info/colors



Ontigo 10

Element P03



MEASURES

Length:	2300 mm
Width:	2910 mm
Height:	1000 mm
Seat height:	465 mm
Weight:	557 kg

GROUND ANCHORS

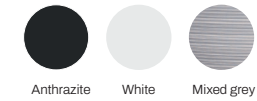
1. Concrete-in, installation depth 250 mm
2. Bolt-on, installation depth 80 mm

Printed components

Material:

100% recycled industrial foils reinforced with glass fibre

Colors:



Stainless Steel components

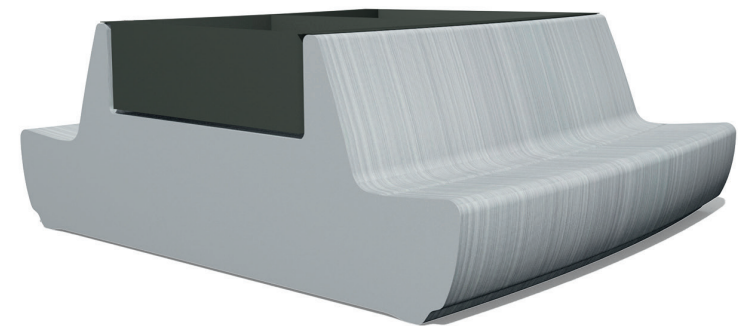
Material:

Stainless steel type 304 | powder coated

Colors:

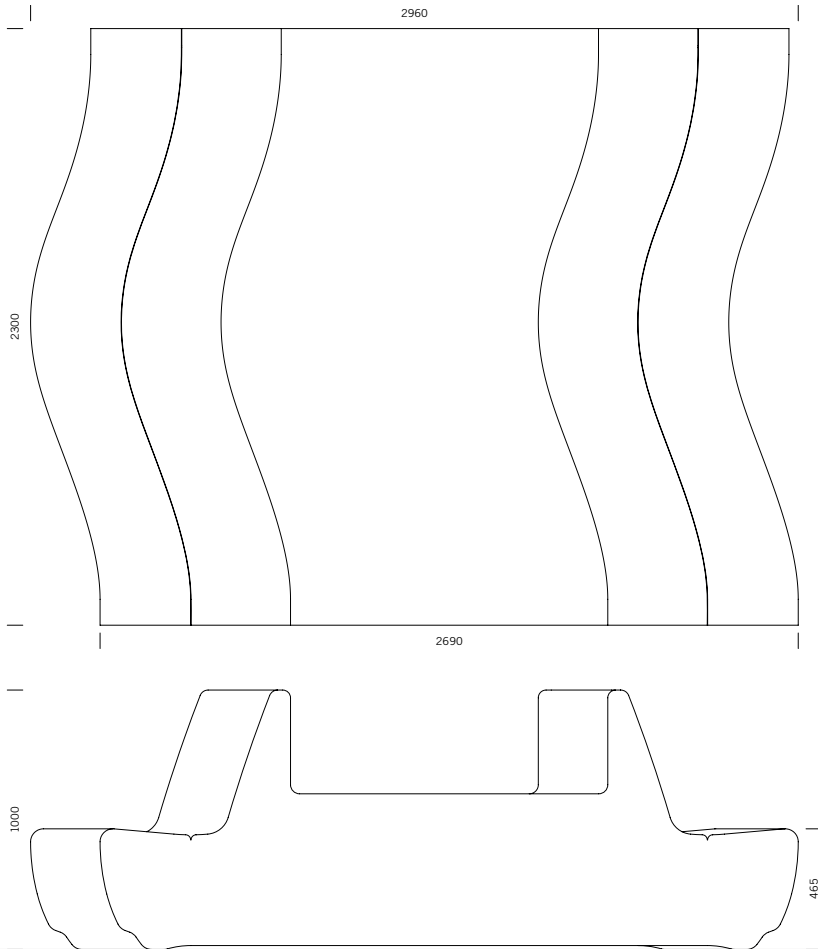
- More than 8500 colors from
- BENKERT-Colors
 - RAL-DESIGN
 - DB-Selection
 - PANTONE
 - RAL-CLASSIC
 - NCS

www.benkert.info/colors



Ontigo 10

Element Po4



MEASURES

Length:	2300 mm
Width:	2690 mm
Height:	1000 mm
Seat height:	465 mm
Weight:	557 kg

GROUND ANCHORS

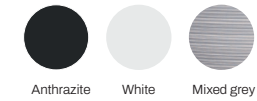
1. Concrete-in, installation depth 250 mm
2. Bolt-on, installation depth 80 mm

Printed components

Material:

100% recycled industrial foils reinforced with glass fibre

Colors:



Stainless Steel components

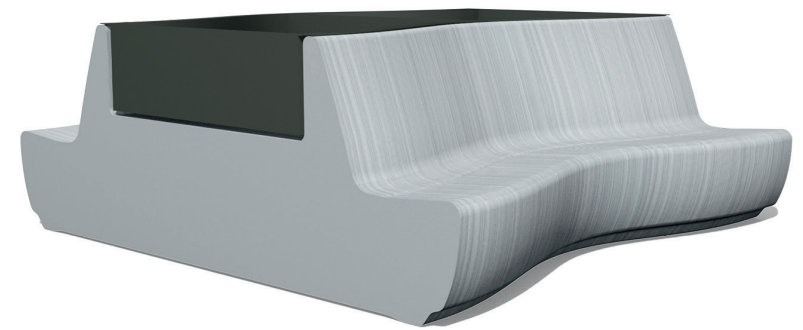
Material:

Stainless steel type 304 | powder coated

Colors:

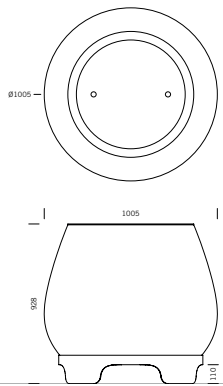
- More than 8500 colors from
- BENKERT-Colors
 - DB-Selection
 - RAL-CLASSIC
 - RAL-DESIGN
 - PANTONE
 - NCS

www.benkert.info/colors



Ontigo 20

Element 01 A



MEASURES

Length:	1005 mm
Width:	1005 mm
Height:	930 mm
Weight:	128 kg

GROUND ANCHORS

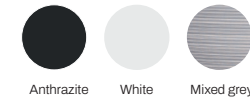
1. Free positioning

Printed components

Material:

100% recycled industrial foils reinforced with glass fibre

Colors:



Stainless Steel components

Material:

Stainless steel type 304 | powder coated

Colors:

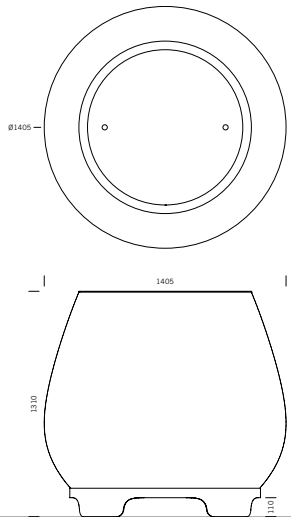
- BENKERT-Colors
- RAL-DESIGN
- DB-Selection
- PANTONE
- RAL-CLASSIC
- NCS

www.benkert.info/colors



Ontigo 20

Element 01 B



MEASURES

Length:	1405 mm
Width:	1403 mm
Height:	1310 mm
Weight:	208 kg

GROUND ANCHORS

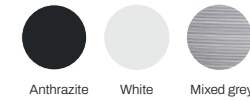
1. Free positioning

Printed components

Material:

100% recycled industrial foils reinforced with glass fibre

Colors:



Stainless Steel components

Material:

Stainless steel type 304 | powder coated

Colors:

More than 8500 colors from

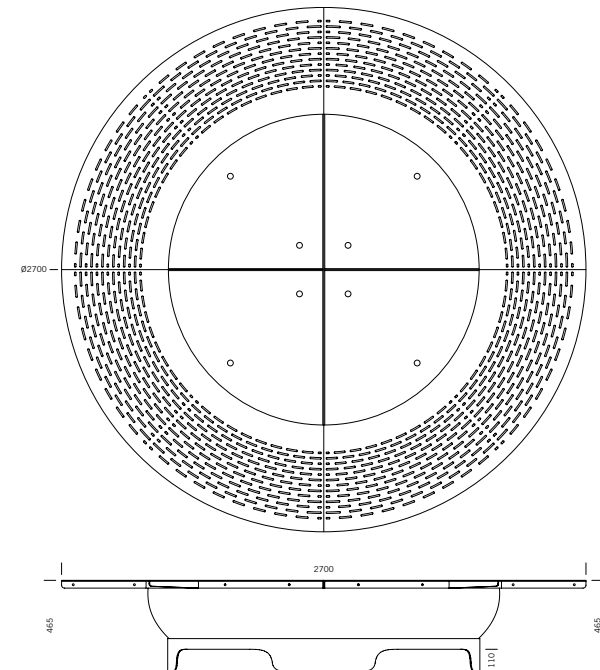
- BENKERT-Colors
- RAL-DESIGN
- DB-Selection
- PANTONE
- RAL-CLASSIC
- NCS

www.benkert.info/colors



Ontigo 20

Element 01 C mS



MEASURES

Length:	2700 mm
Width:	2700 mm
Height:	465 mm
Seat height:	465 mm
Weight:	351 kg

GROUND ANCHORS

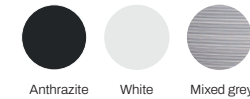
1. Free positioning

Printed components

Material:

100% recycled industrial foils reinforced with glass fibre

Colors:



Anthrazite

White

Mixed grey

Stainless Steel components

Material:

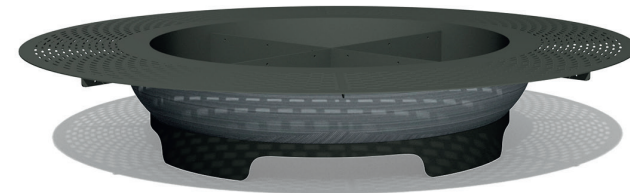
Stainless steel type 304 | powder coated

Colors:

More than 8500 colors from

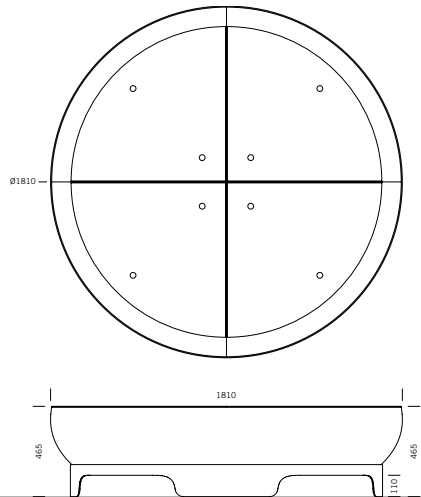
- BENKERT-Colors
- RAL-DESIGN
- DB-Selection
- PANTONE
- RAL-CLASSIC
- NCS

www.benkert.info/colors



Ontigo 20

Element 01 C oS



MEASURES

Length:	1810 mm
Width:	1810 mm
Height:	465 mm
Weight:	225 kg

GROUND ANCHORS

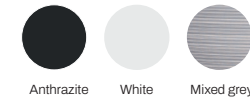
1. Free positioning

Printed components

Material:

100% recycled industrial foils reinforced with glass fibre

Colors:



Anthrazite White Mixed grey

Stainless Steel components

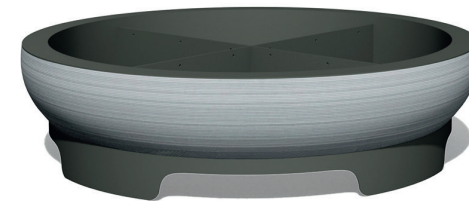
Material:

Stainless steel type 304 | powder coated

Colors: More than 8500 colors from

- BENKERT-Colors
- RAL-DESIGN
- DB-Selection
- PANTONE
- RAL-CLASSIC
- NCS

www.benkert.info/colors



Ontigo 20

Element 02 A mS

MEASURES

Length:	2490 mm
Width:	1210 mm
Height:	930 mm
Seat height:	465 mm
Weight:	273 kg

GROUND ANCHORS

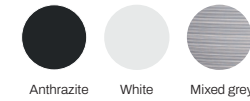
1. Free positioning

Printed components

Material:

100% recycled industrial foils reinforced with glass fibre

Colors:



Stainless Steel components

Material:

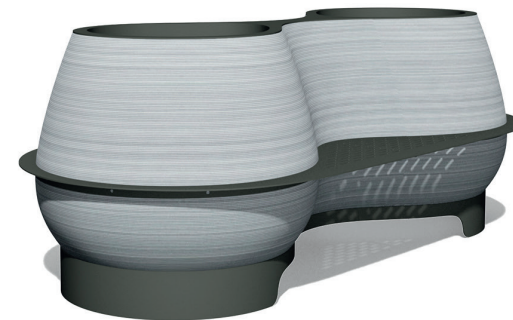
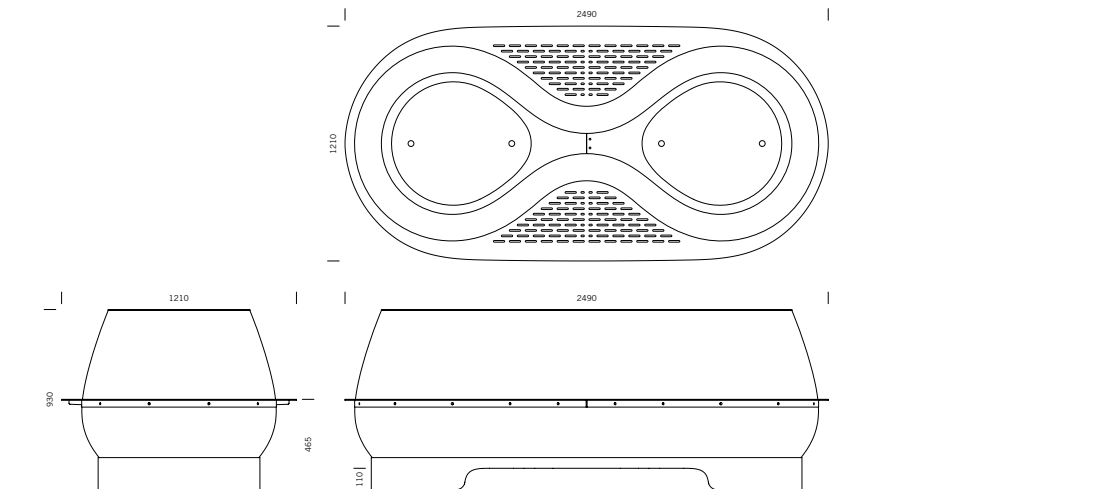
Stainless steel type 304 | powder coated

Colors:

More than 8500 colors from

- BENKERT-Colors
- DB-Selection
- RAL-CLASSIC
- RAL-DESIGN
- PANTONE
- NCS

www.benkert.info/colors



Ontigo 20

Element 02 A 0S

MEASURES

Length:	2490 mm
Width:	1210 mm
Height:	930 mm
Weight:	221 kg

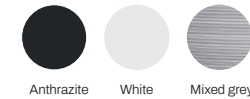
GROUND ANCHORS

1. Free positioning

Printed components

Material:

100% recycled industrial foils reinforced with glass fibre

Colors:

Stainless Steel components

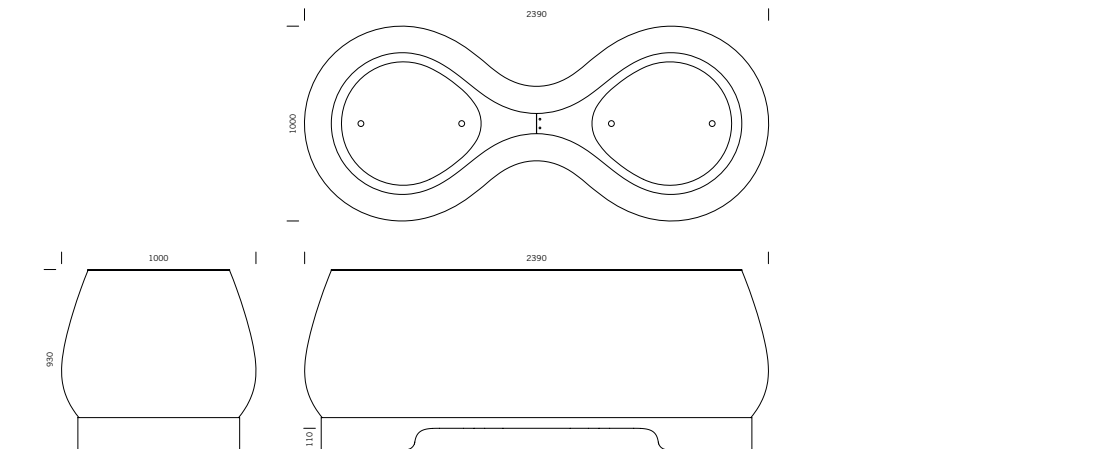
Material:

Stainless steel type 304 | powder coated

Colors: More than 8500 colors from

- BENKERT-Colors
- RAL-DESIGN
- DB-Selection
- PANTONE
- RAL-CLASSIC
- NCS

www.benkert.info/colors



Ontigo 20

Element 03 A mS

MEASURES

Length:	3870 mm
Width:	1220 mm
Height:	930 mm
Seat height:	465 mm
Weight:	431 kg

GROUND ANCHORS

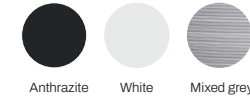
1. Free positioning

Printed components

Material:

100% recycled industrial foils reinforced with glass fibre

Colors:



Stainless Steel components

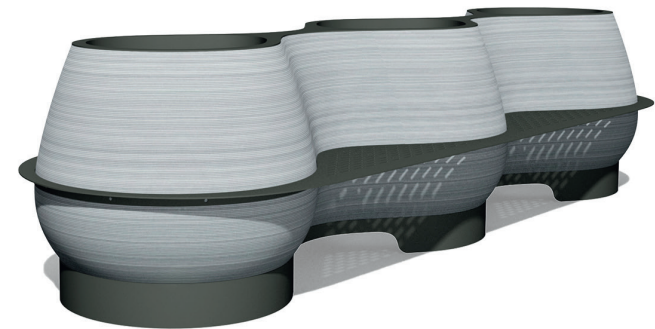
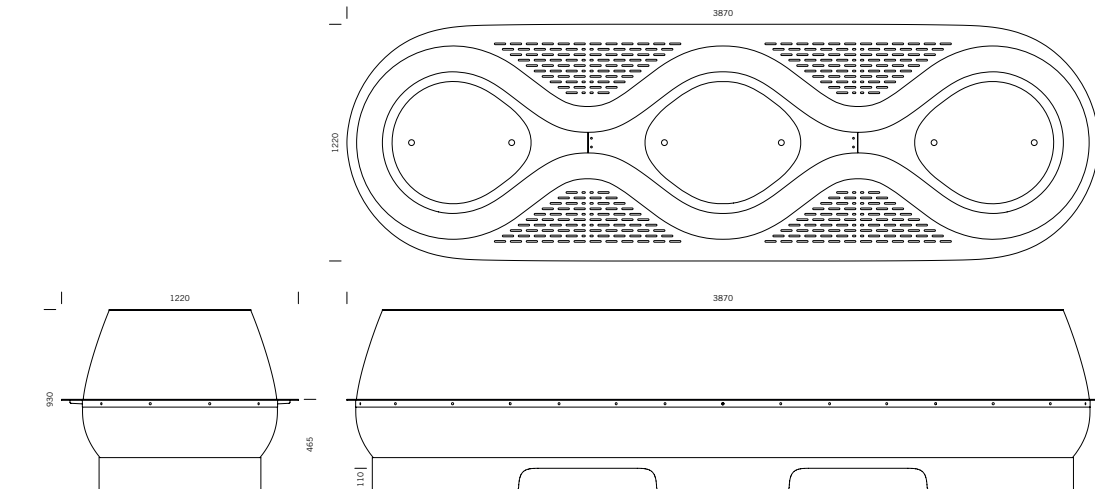
Material:

Stainless steel type 304 | powder coated

Colors: More than 8500 colors from

- BENKERT-Colors
- RAL-DESIGN
- DB-Selection
- PANTONE
- RAL-CLASSIC
- NCS

www.benkert.info/colors



Ontigo 20

Element 03 A 0S

MEASURES

Length:	3870 mm
Width:	1005 mm
Height:	930 mm
Weight:	354 kg

GROUND ANCHORS

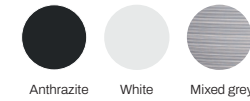
1. Free positioning

Printed components

Material:

100% recycled industrial foils reinforced with glass fibre

Colors:



Stainless Steel components

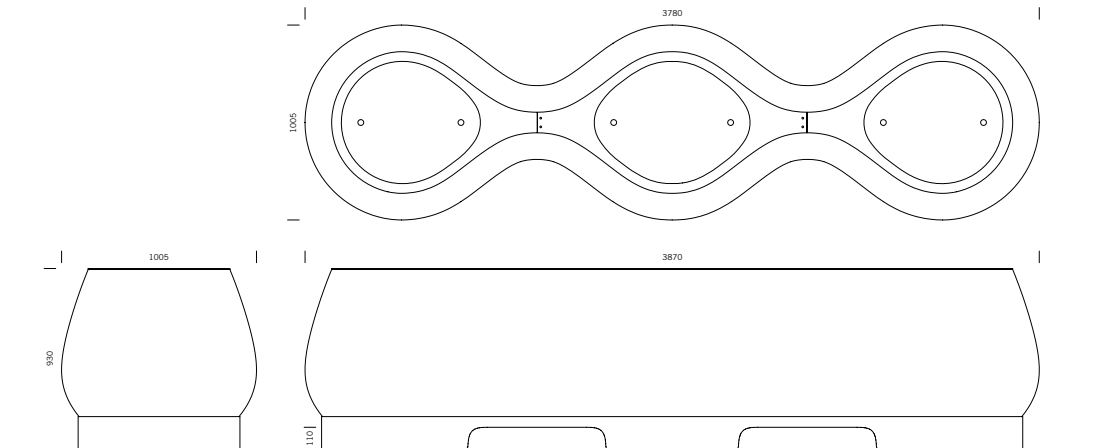
Material:

Stainless steel type 304 | powder coated

Colors: More than 8500 colors from

- BENKERT-Colors
- RAL-DESIGN
- DB-Selection
- PANTONE
- RAL-CLASSIC
- NCS

www.benkert.info/colors



Ontigo 20

Element 03 B mS

MEASURES

Length:	3745 mm
Width:	1660 mm
Height:	930 mm
Seat height:	465 mm
Weight:	436 kg

GROUND ANCHORS

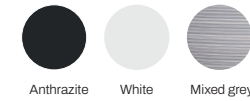
1. Free positioning

Printed components

Material:

100% recycled industrial foils reinforced with glass fibre

Colors:



Stainless Steel components

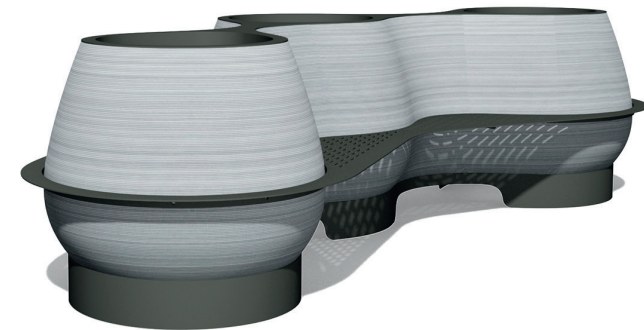
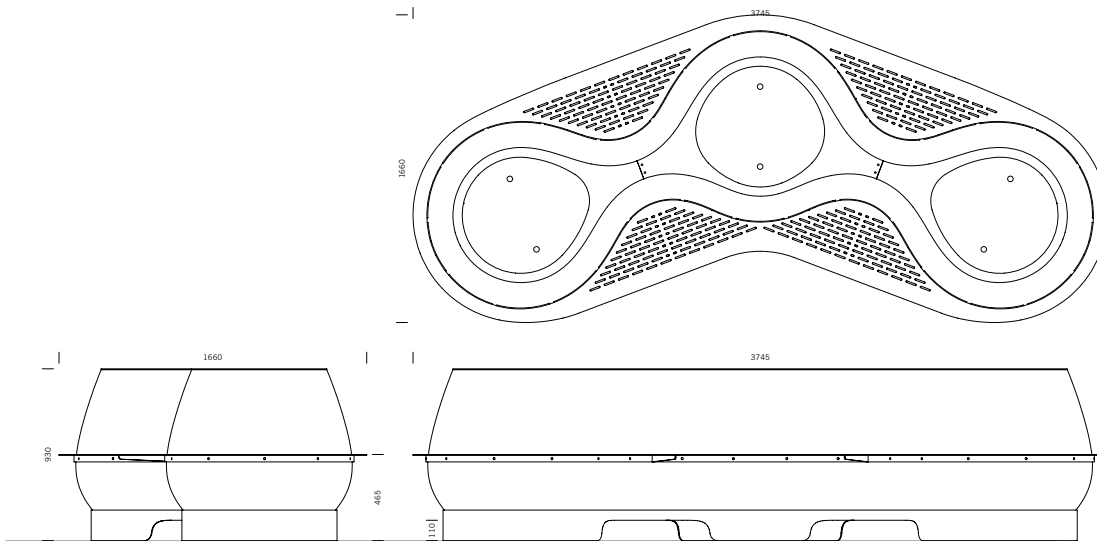
Material:

Stainless steel type 304 | powder coated

Colors: More than 8500 colors from

- BENKERT-Colors
- DB-Selection
- RAL-CLASSIC
- RAL-DESIGN
- PANTONE
- NCS

www.benkert.info/colors



Ontigo 20

Element 03 B oS

MEASURES

Length:	3590 mm
Width:	1490 mm
Height:	930 mm
Weight:	359 kg

GROUND ANCHORS

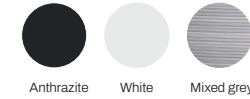
1. Free positioning

Printed components

Material:

100% recycled industrial foils reinforced with glass fibre

Colors:



Stainless Steel components

Material:

Stainless steel type 304 | powder coated

Colors:

More than 8500 colors from

- BENKERT-Colors
- RAL-DESIGN
- DB-Selection
- PANTONE
- RAL-CLASSIC
- NCS

www.benkert.info/colors

