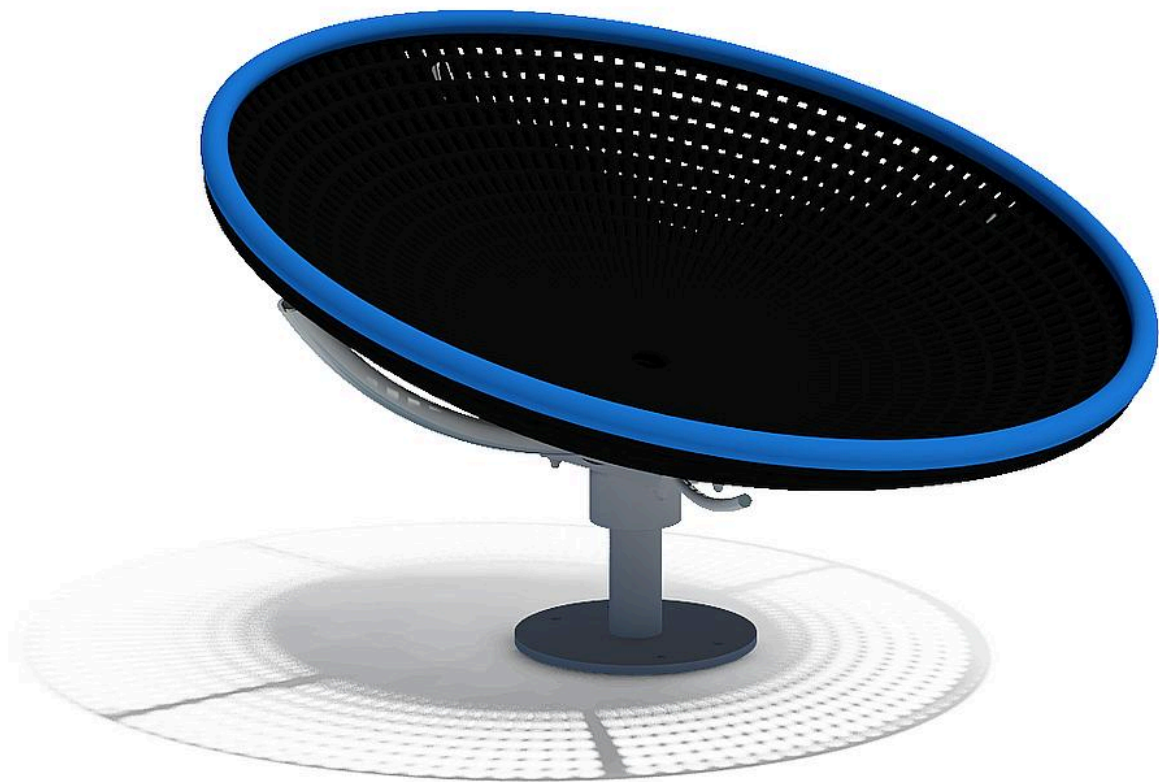


5 55 366 0

# Satellite carousel Ø 1,27 m



Age indication



Speed



Recreation



Living together



Social skills



Senses



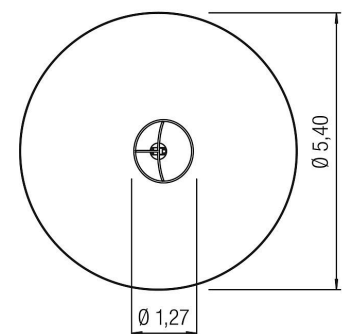
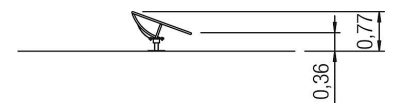
Inclusion

## Scope of delivery

1x nest swing: galvanised steel, plastic-coated steel cable, PE

1x bearing: Ball/conical roller bearing

1x mounting panel: stainless steel



5 55 366 0

# Satellite carousel Ø 1,27 m



## Technical data

	Material	Steel galv., plastic-coated steel cable, PE
	Minimum space	Ø 5,40x2,16 m
	Impact protection net	23,0 m <sup>2</sup>
	Free falling height	50 cm
	Ground constitution GE/NL/B	at least top soil
	Ground constitution all except GE/NL/B	at least top soil
	Size	Ø 1,27x0,78 m
	Largest section	Ø 120x53 cm
	Heaviest section	39 kg
	Certificate	TÜV product service
	Tested according to standard	EN 1176 - 1/5/7

## Installation information

	Foundations	1x CF
	Fundamentlevel	ET 0
	Assembly	2 persons/1 h



5 55 366 0

# Satellite carousel Ø 1,27 m



**CO<sub>2</sub> emissions of the product**

**277,8 kg**

**Material share of renewable raw materials**

**0%**

**Recyclate content**

**93%**

Circularity score



Weighted emission factor of the product\*



**Disclaimer:**

This dashboard for the circularity index of the 'Circular Product' certification was generated automatically and is based on the corresponding certification of eibe Produktion + Vertrieb GmbH & Co KG, Industriestraße 1, 97285 Röttingen, which was issued on 16 May 2024 by the Gesellschaft für Klimaschutz München GmbH (GKM GmbH) on the basis of the example product Albion play unit from the eibe unique® product line. eibe Produktion + Vertrieb GmbH & Co KG is liable for the accuracy of the contents. The award criteria of the private-law certification 'Circular Product' of GKM GmbH can be viewed at [gesellschaft-klimaschutz.de/zertifizierung/zirkularitaet/](https://gesellschaft-klimaschutz.de/zertifizierung/zirkularitaet/).

\* The CO<sub>2</sub>e emissions of the materials used in the product are taken into account. The emissions that arise during the production process are allocated to the product on a pro-rata basis.

created on: 14 August 2024