

active-station combination VI

pull down & twist



Age indication



Fitness



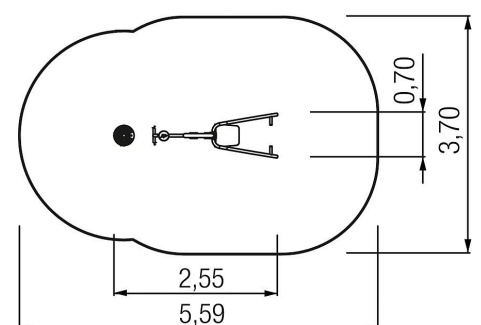
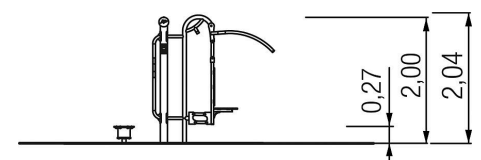
Fine motor skills



Balance

Scope of delivery

1x active-station combination: stainless steel, high pressure laminate (HPL), HDPE





active-station combination VI

pull down & twist



Technical data

	Material	VA, HPL, HDPE
	Minimum space	5,59x3,70x2,92 m
	Impact protection net	2,5 m ²
	Free falling height	72 cm
	Ground constitution GE/NL/B	at least impact-attenuating tiles
	Ground constitution all except GE/NL/B	at least impact-attenuating tiles
	Size	5,59x3,70x2,04 m

Installation information

	Foundations	1x CF
	Fundamentlevel	ET 0
	Assembly	2 persons/2,5 h