

# active-station leg trainer



Age indication



Fitness



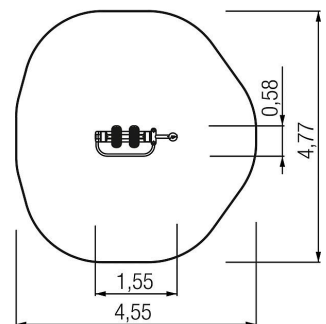
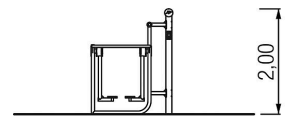
Fine motor skills



Balance

## Scope of delivery

1x active-station: stainless steel, powder-coated steel, HDPE



# active-station leg trainer



## Technical data

	Material	VA, steel powder.
	Minimum space	4,55x4,77x2,54 m
	Impact protection net	2,5 m <sup>2</sup>
	Free falling height	34 cm
	Ground constitution GE/NL/B	impact-attenuating tiles
	Ground constitution all except GE/NL/B	impact-attenuating tiles
	mx. number of users	1

## Installation information

	Foundations	1x CF
	Fundamentlevel	ET 0
	Assembly	2 persons/2 h