

Hammock with metal posts



Age indication



Recreation



Social skills



Balance



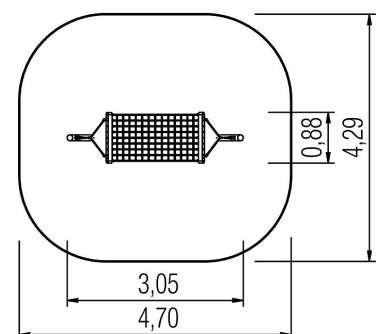
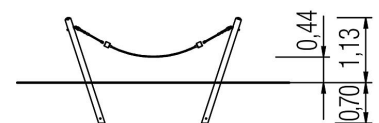
Senses



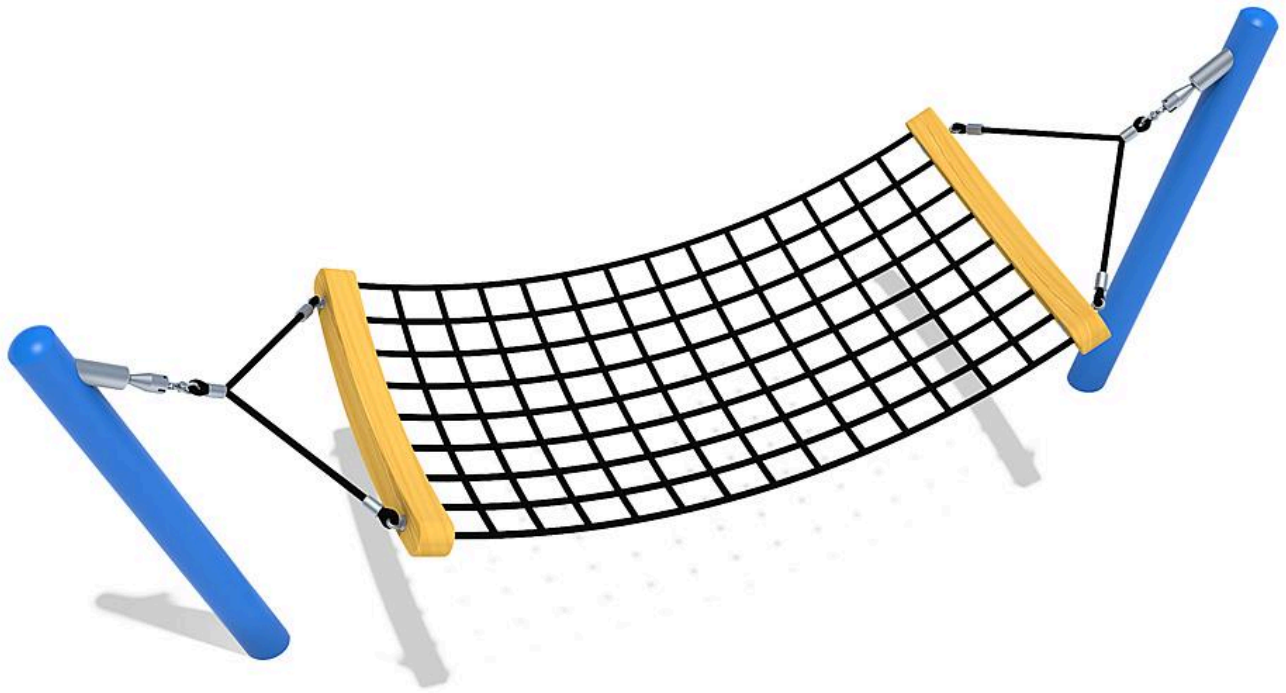
Inclusion

Scope of delivery

set of posts: galvanised and powder-coated steel
hammock with joints: polyester-coated steel cable, SW pi
post cover PA6





Hammock with metal posts



Technical data

	Material	Steel powder. blue
	Minimum space	4,70x4,29x2,24 m
	Impact protection net	18,5 m ²
	Free falling height	70 cm
	Ground constitution GE/NL/B	at least top soil
	Ground constitution all except GE/NL/B	at least top soil
	Size	3,05x0,88x1,13 m
	Largest section	181x16x10 cm
	Heaviest section	50 kg
	Certificate	TÜV product service
	Tested according to standard	-

Installation information

	Foundations	2x CF
	Fundamentlevel	FL 3
	Assembly	2 persons/1 h



5 55 070 024

Hammock with metal posts



CO₂ emissions of the product

770,1 kg

Material share of renewable raw materials

0%

Recyclate content

72%

Circularity score



Weighted emission factor of the product*



Disclaimer:

This dashboard for the circularity index of the 'Circular Product' certification was generated automatically and is based on the corresponding certification of eibe Produktion + Vertrieb GmbH & Co KG, Industriestraße 1, 97285 Röttingen, which was issued on 16 May 2024 by the Gesellschaft für Klimaschutz München GmbH (GKM GmbH) on the basis of the example product Albion play unit from the eibe unique® product line. eibe Produktion + Vertrieb GmbH & Co KG is liable for the accuracy of the contents. The award criteria of the private-law certification 'Circular Product' of GKM GmbH can be viewed at gesellschaft-klimaschutz.de/zertifizierung/zirkularitaet/.

* The CO₂e emissions of the materials used in the product are taken into account. The emissions that arise during the production process are allocated to the product on a pro-rata basis.

created on: 14 August 2024