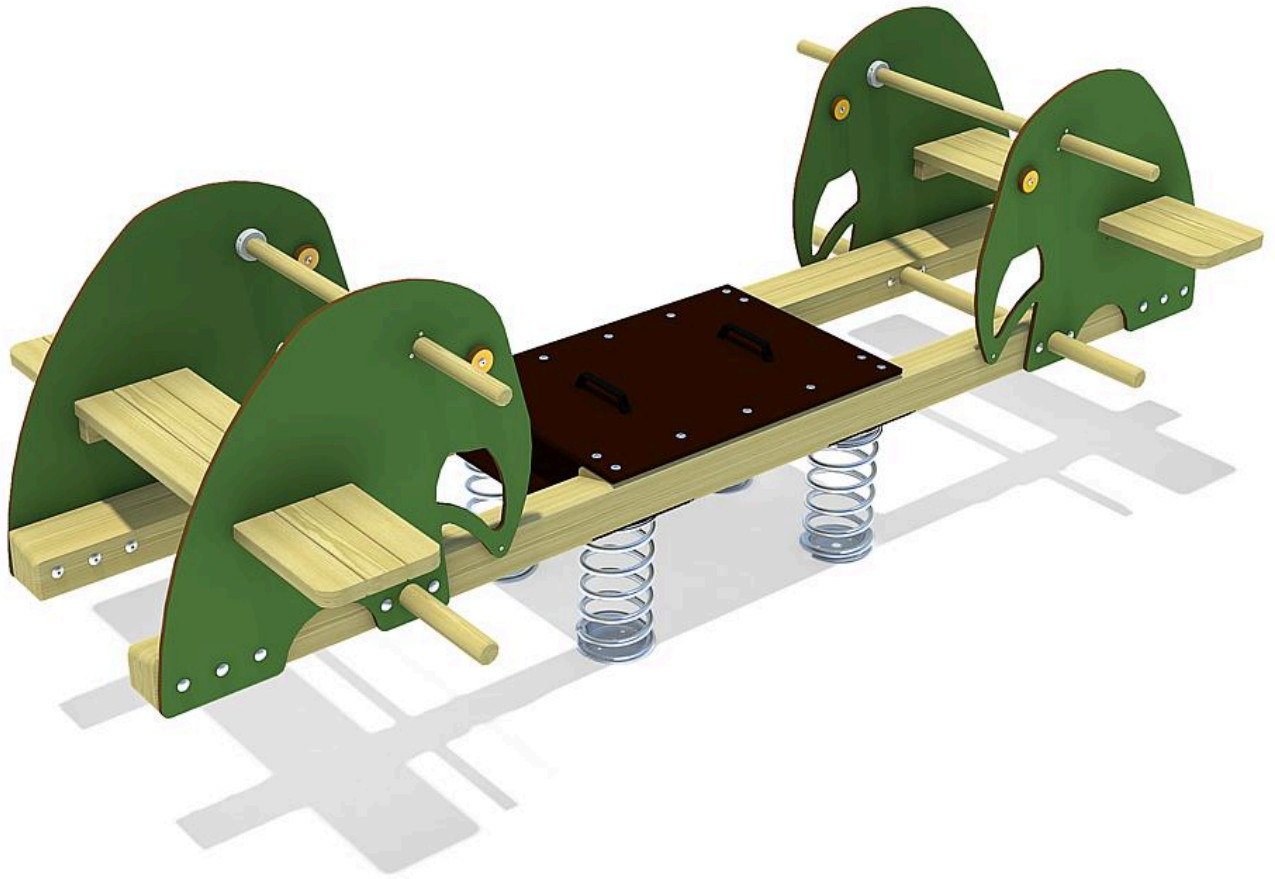


5 67 232 0

Multi-spring rocker Jumbo



Age indication



Balance



Social skills

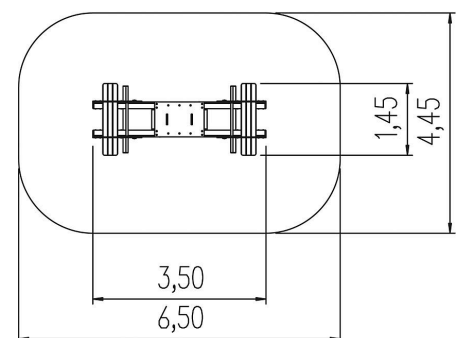
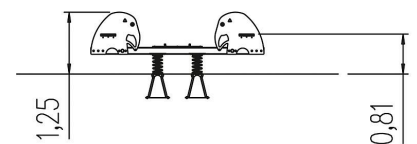


Inclusion

Scope of delivery

1x spring rocker body: softwood, high-pressure laminate (HPL)

4x springs: spring steel






Multi-spring rocker Jumbo



Technical data

	Material	SW pi, HPL
	Minimum space	6,50x4,45x2,61 m
	Impact protection net	26,5 m ²
	Free falling height	81 cm
	Ground constitution GE/NL/B	at least lawn
	Ground constitution all except GE/NL/B	at least lawn
	Size	3,50x1,45 m
	Largest section	350x130x89 cm
	Heaviest section	110 kg
	Certificate	TÜV product service
	Tested according to standard	-

Installation information

	Foundations	4x 5632280 + 4x CF
	Fundamentlevel	ET 480
	Assembly	2 persons/1.5 h



5 67 232 0

Multi-spring rocker Jumbo



CO₂ emissions of the product

847,2 kg

Material share of renewable raw materials

45%

Recyclate content

17%

Circularity score



Weighted emission factor of the product*



Disclaimer:

This dashboard for the circularity index of the 'Circular Product' certification was generated automatically and is based on the corresponding certification of eibe Produktion + Vertrieb GmbH & Co KG, Industriestraße 1, 97285 Röttingen, which was issued on 16 May 2024 by the Gesellschaft für Klimaschutz München GmbH (GKM GmbH) on the basis of the example product Albion play unit from the eibe unique® product line. eibe Produktion + Vertrieb GmbH & Co KG is liable for the accuracy of the contents. The award criteria of the private-law certification 'Circular Product' of GKM GmbH can be viewed at gesellschaft-klimaschutz.de/zertifizierung/zirkularitaet/.

* The CO₂e emissions of the materials used in the product are taken into account. The emissions that arise during the production process are allocated to the product on a pro-rata basis.

created on: 14 August 2024