

PRODUCT SPECIFICATION

93005

Punto (*Wired Bollard*)

The PUNTO has been specially developed for the Oasis Parcs Punt-West Hotel & Beach Resort project in Ouddorp. The hardwood is used in various objects and buildings throughout the park. Due to its slender design, it sets a stylish tone. The special LED module ensures that the light is distributed with added width. Because the LED module is recessed, the luminaire gives off minimal glare, even from a distance.



PROJECT EXAMPLES

Discovery centre



RELATED PRODUCTS

93006 PERI - Wired bollard



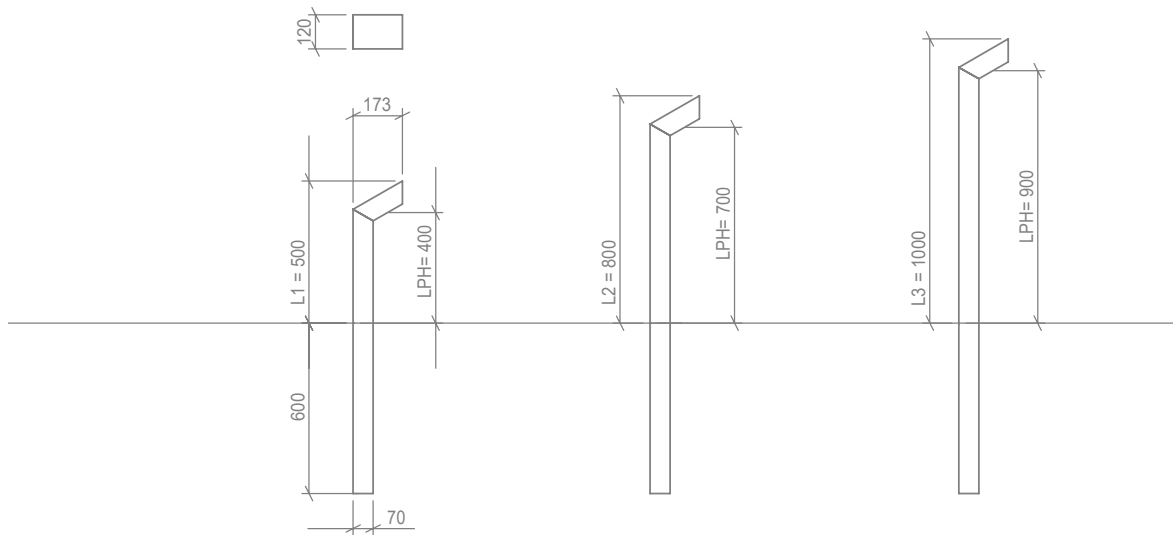
PRODUCT SPECIFICATION

SPECIFICATIONS

- **Wood type:** Cumaru
- **Thickness:** 120x70 mm
- **IP class:** IP54
- **Power per LED module:** 2.4 Watt
- **Lumen output per LED module:**
 - 2.200K = 109 lm
 - 2.700K = 121 lm
 - 4.000K = 153 lm
 - amber = 47 lm
- **Beam angle:** The LED module has a beam angle of 155x65 degrees.
- **Lifespan:** Every type of wood has its own durability rating. More information about this can be found under "Types of wood" & "Sustainability". The LED module has an expected lifespan of 100,000 hours.
- **Lighting data:** Lighting data available on request.

OPTIONS

- **Voltage:** 230 VAC or 12-24 VAC/DC
- **Quality mark:** FSC
- **Light colour:** Available in 2.200, 2.700, 4.000K and amber (593 nm).
- **Connection:** Possible with cable or without cable (1 mtr 3x 1.5 mm²). A 32mm hole in the fixture as standard for easy passage for your ground cable.
- **Performance:** 500, 800 and 1,000mm height.
- **Variations:** At Timberlab, every fixture is carefully produced for you. Aside from the standard options, we are happy to create variations for your specific application. Think, for example, of a water point, in combination with a fence, with wall socket or a different height angle.



L = Length

	Weight	CO2 storage	Weight	CO2 storage	Weight	CO2 storage
Cumaru	10 kg	16 kg	13 kg	20 kg	15 kg	23 kg

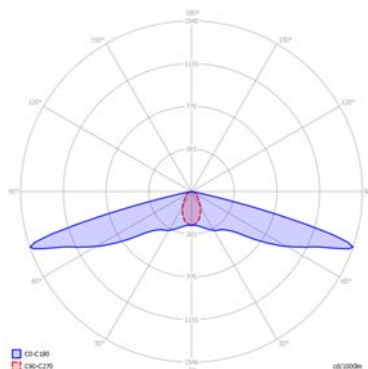


Only products indicated with the FSC® claim are FSC certified and come with our FSC-certificate number NC-COC-029615-KE. Only products indicated with the PEFC™ claim are 100% PEFC certified and come with our PEFC-certificate number NC-PEFC/COC-029615-FJ.



PRODUCT SPECIFICATION

LEDMODULES



	TBL path light module 2.200K	TBL path light module 2.700K	TBL path light module 4.000K	TBL path light module AMBER 593 nm
Voltage (optional)	230 VAC 12-24VAC/DC	230 VAC 12-24VAC/DC	230 VAC 12-24VAC/DC	230 VAC 12-24VAC/DC
Power	2.4W*	2.4 W*	2.4W*	2.1W*
Power factor	0.36W*	0.36*	0.36*	0.34*
Lumen output	109 lm*	121 lm*	153 lm*	47 lm*
Efficiency	45 lm/W*	50 lm/W*	63 lm/W*	23 lm/W*
Light temp.	2200K 2335K*	Warm White 2700K 2654K*	Cool White 4000K 3801K*	AMBER x=0.5977 y=0.3996.*
CRI	84*	84*	72*	n.v.t.
Dimmable	on request	on request	on request	on request
Label	A+	A+	A+	B
IP grade	IP 54	IP 54	IP 54	IP 54
Beam angle	156x64	156x64*	154x65*	151x58*
Number of LEDs	1	1	1	1
Temperature range in operation	-20...+50°C	-20...+50°C	-20...+50°C	-20...+50°C
Lifespan	100.000 h	100.000 h	100.000 h	100.000 h
* Measured values				