

# Sand construction site Little Woodpecker



Age indication



Experiencing the



Social skills



Imagination



Fine motor skills



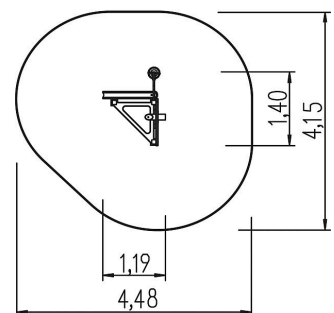
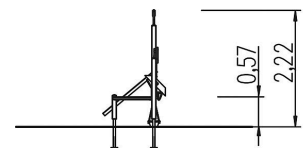
Senses



Creativity

## Scope of delivery

set of posts with post bases: softwood, galvanised steel  
platform with sieve insert: softwood, stainless steel  
sand crane: stainless steel, PAH-free rubber  
sand chute: softwood  
sand pipe: plastic, high pressure laminate (HPL), softwood






# Sand construction site Little Woodpecker



## Technical data

	Material	SW pi
	Minimum space	4,48x4,15x2,22 m
	Impact protection net	14,5 m <sup>2</sup>
	Free falling height	57 cm
	Ground constitution GE/NL/B	at least sand
	Largest section	75x75x6 cm
	Heaviest section	10 kg
	mx. number of users	5
	Certificate	-
	Tested according to standard	EN 1176

## Installation information

	Foundations	3x CF or 3x PFs
	Fundamentlevel	ET 400
	Assembly	2 persons/5 h



5 10 038 011 10

# Sand construction site Little Woodpecker



**CO<sub>2</sub> emissions of the product**

**261,3 kg**

**Material share of renewable raw materials**

**48%**

**Recyclate content**

**37%**

Circularity score



Weighted emission factor of the product\*



**Disclaimer:**

This dashboard for the circularity index of the 'Circular Product' certification was generated automatically and is based on the corresponding certification of eibe Produktion + Vertrieb GmbH & Co KG, Industriestraße 1, 97285 Röttingen, which was issued on 16 May 2024 by the Gesellschaft für Klimaschutz München GmbH (GKM GmbH) on the basis of the example product Albion play unit from the eibe unique® product line. eibe Produktion + Vertrieb GmbH & Co KG is liable for the accuracy of the contents. The award criteria of the private-law certification 'Circular Product' of GKM GmbH can be viewed at [gesellschaft-klimaschutz.de/zertifizierung/zirkularitaet/](https://gesellschaft-klimaschutz.de/zertifizierung/zirkularitaet/).

\* The CO<sub>2</sub>e emissions of the materials used in the product are taken into account. The emissions that arise during the production process are allocated to the product on a pro-rata basis.

created on: 14 August 2024