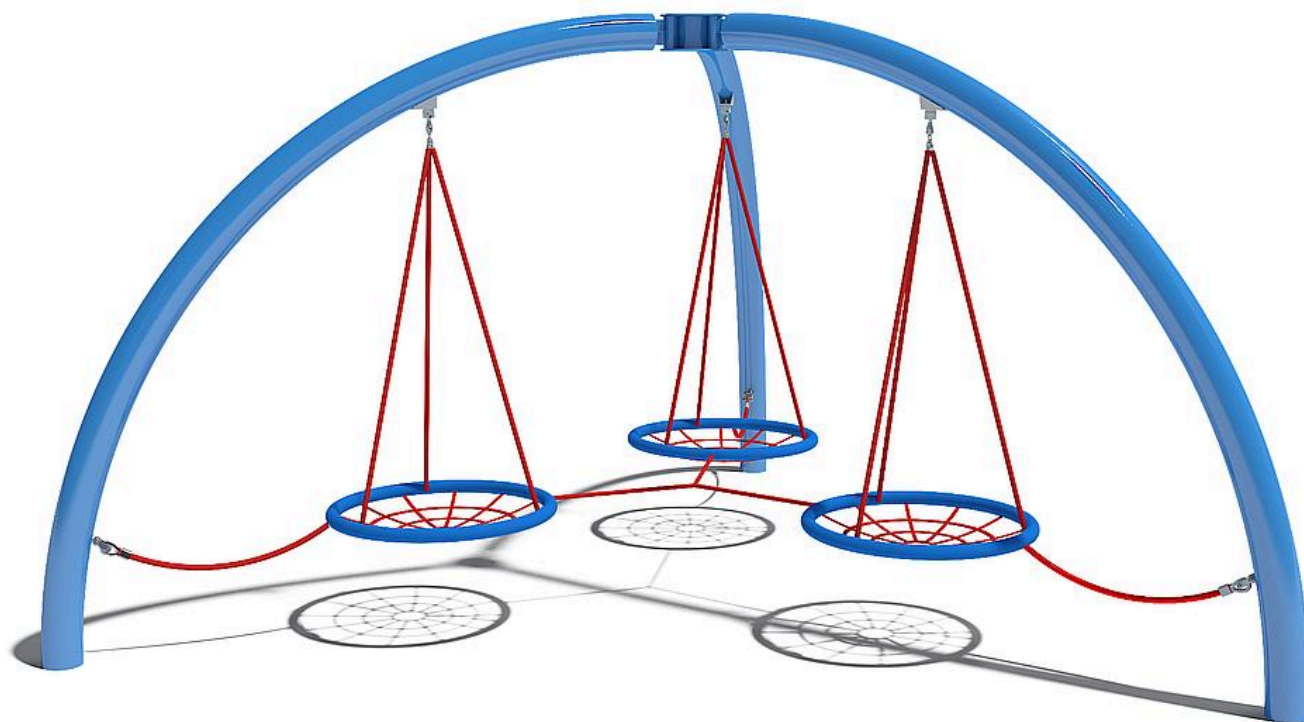


# youth circular swing Vogelburg



Age indication



Recreation



Living together



Social skills



Fitness



Senses

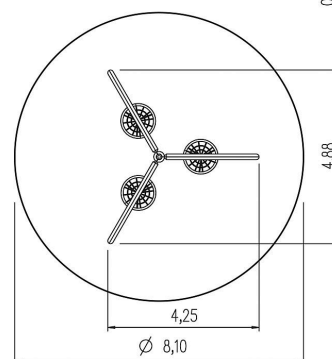
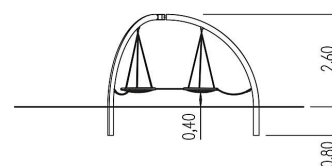
## Scope of delivery

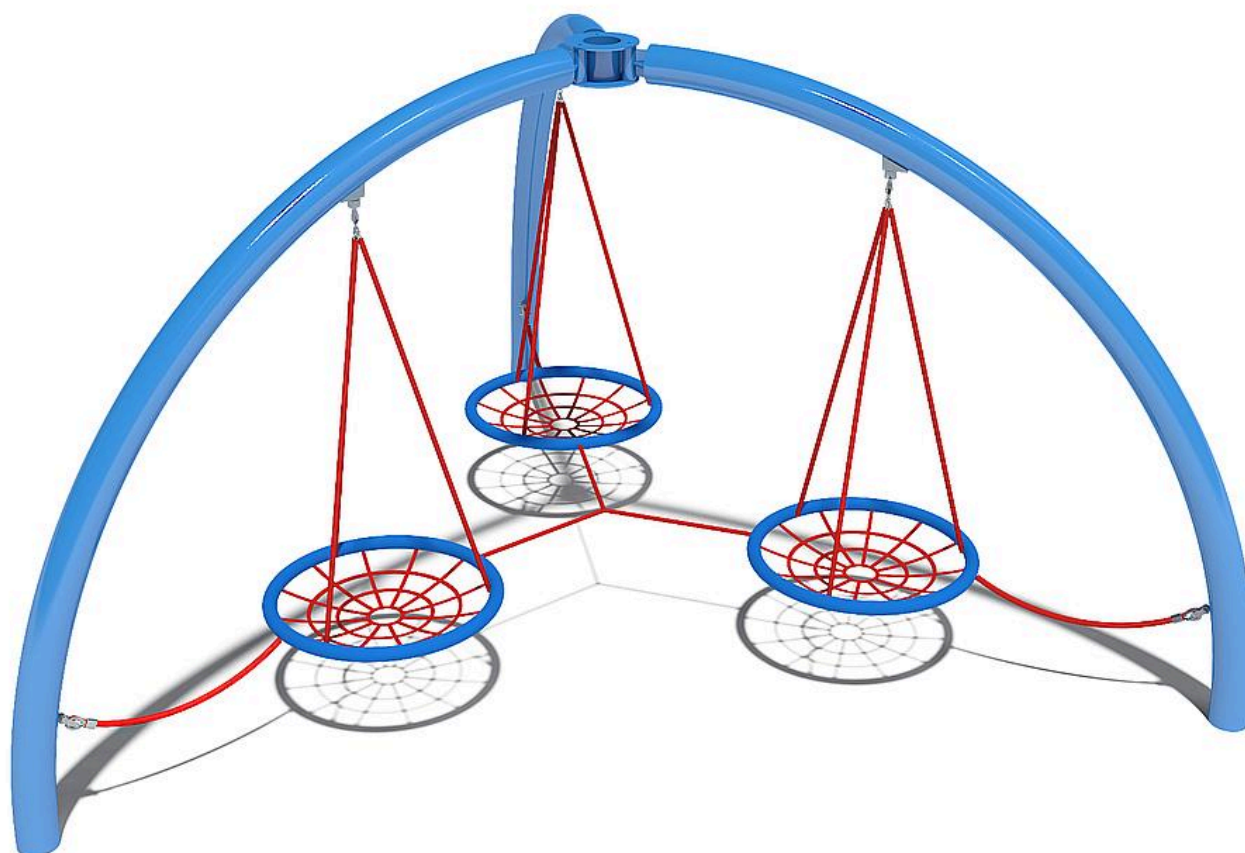
3x posts bent: galvanised and powder-coated steel

3x nest swing: plastic-coated steel cable

4x connection rope: plastic-coated steel cable

3x multi-point suspension: stainless steel







## Technical data

	Material	powdered steel
	Minimum space	Ø 8,10x4,60 m
	Impact protection net	52,0 m <sup>2</sup>
	Free falling height	70 cm
	Ground constitution GE/NL/B	at least lawn
	Ground constitution all except GE/NL/B	at least lawn
	Largest section	340 cm
	Heaviest section	70 kg
	Tested according to standard	EN 1176 - 1/2/7
	Service interval (in months)	3

## Installation information

	Foundations	3x CF
	Fundamentlevel	ET 800
	Assembly	3 persons/2 h