

# multi-spring rocker Sand raft



Age indication



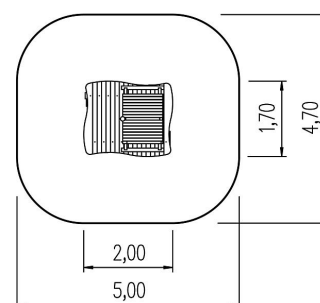
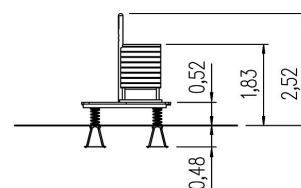
Balance



Social skills

## Scope of delivery


- 1x raft: softwood
- 1x roof: softwood
- 4x springs: spring steel
- 1x mast: softwood
- 1x flag: high pressure laminate (HPL)






# multi-spring rocker Sand raft



## Technical data

	Material	SW pi
	Minimum space	5,00x4,70x,2,52m
	Impact protection net	17,0 m <sup>2</sup>
	Free falling height	52 cm
	Ground constitution GE/NL/B	at least lawn
	Ground constitution all except GE/NL/B	at least lawn
	Largest section	200x170x11 cm
	Heaviest section	20 kg
	Certificate	TÜV product service
	Tested according to standard	-

## Installation information

	Foundations	4x 5632280 + 4x CF
	Fundamentlevel	ET 700
	Assembly	2 persons/2 h



5 67 122 0

# multi-spring rocker Sand raft



**CO<sub>2</sub> emissions of the product**

**809 kg**

**Material share of renewable raw materials**

**82%**

**Recyclate content**

**17%**

Circularity score



Weighted emission factor of the product\*



**Disclaimer:**

This dashboard for the circularity index of the 'Circular Product' certification was generated automatically and is based on the corresponding certification of eibe Produktion + Vertrieb GmbH & Co KG, Industriestraße 1, 97285 Röttingen, which was issued on 16 May 2024 by the Gesellschaft für Klimaschutz München GmbH (GKM GmbH) on the basis of the example product Albion play unit from the eibe unique® product line. eibe Produktion + Vertrieb GmbH & Co KG is liable for the accuracy of the contents. The award criteria of the private-law certification 'Circular Product' of GKM GmbH can be viewed at [gesellschaft-klimaschutz.de/zertifizierung/zirkularitaet/](https://gesellschaft-klimaschutz.de/zertifizierung/zirkularitaet/).

\* The CO<sub>2</sub>e emissions of the materials used in the product are taken into account. The emissions that arise during the production process are allocated to the product on a pro-rata basis.

created on: 14 August 2024