

Information about the product

Dimensions	396 x 362 cm
Safety zone	709 x 662 cm
Safety zone area	35,3 m ²
Overall height	230 cm
Free fall height	230 cm
Amount of users	18
Product complies with EN 1176-1:2017-12	Yes
Availability of spare parts	Yes
Age range	3-12

According to EN 1176-1:2017-12 norm, the product requires applying a safety surface according to the product's free fall height.

Functions



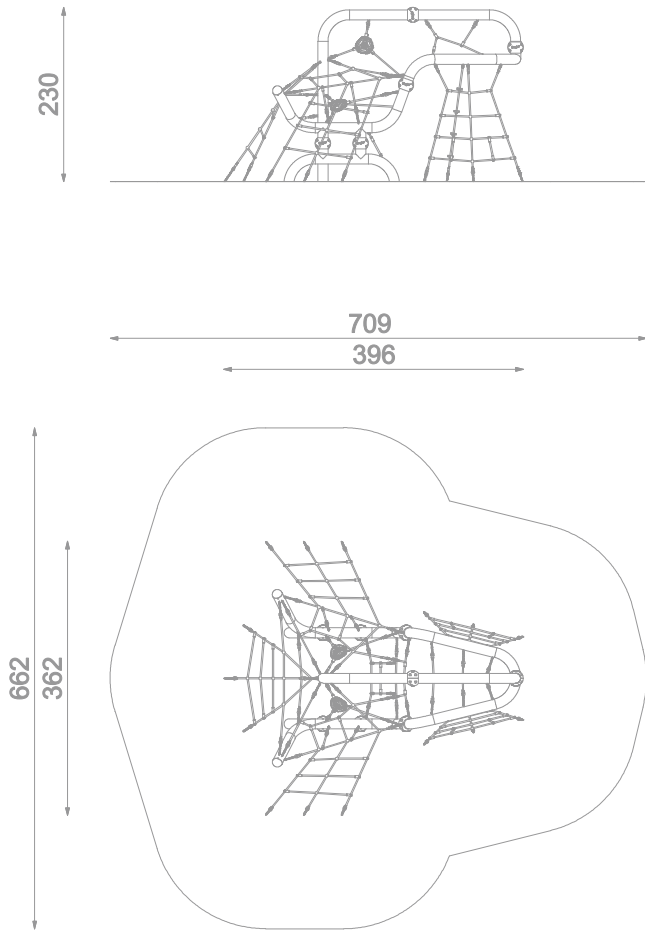
Climbing



Balancing



Socializing



SCALE 1:100

Materials



Steel construction:
 Ø133 pipes, powder
 galvanized and covered
 in powder coating paint



Polypropylene ropes pp -
 multisplit type with a steel
 core and a diameter of 16
 mm



Modules manufactured of
 rotomoulded polyethylene