

Standard Single Tower: K-71

This tower unit is aimed at children aged 5 – 14 years old and the standard unit comes with 5 solid steps, a tower with roof, a 2.5m green high-density polyethylene straight slide and a scramble net.

It has a platform size of 1.2 x 1.2m x 1.5m height. Two access points and one exit point enables children to access the tower either via the steps with handrails or by using the more challenging scramble net.

The legs are fitted with hot-dipped galvanised metal feet to prevent ground moisture affecting the timbers. This tower can be configured as an in-line or L-shaped unit to suit the space available.

If required, this tower can be supplied without the scramble net, or with a climbing wall with cut holes or a ramp as required.

Safety surfacing is required to meet EN 1177 standards.

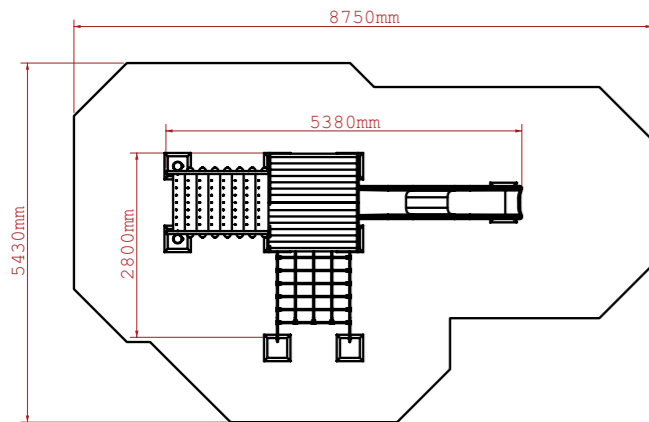
Timber is a renewable resource, recyclable and biodegradable, and only timbers from sustainably managed sources are used.



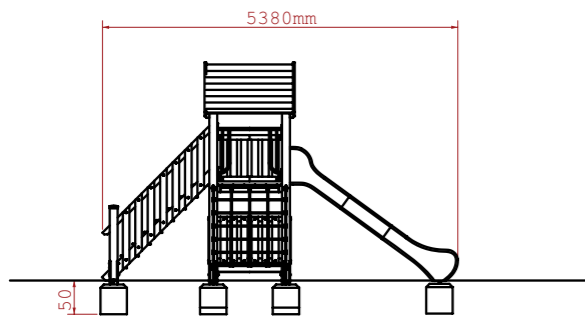
Single Tower



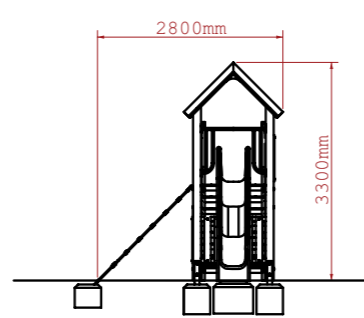
Plan View



Front View



Side View



Specification:

Pressure-treated wax-impregnated timbers

High quality steel-cored multi-strand nylon ropes

Steel fixtures and fittings

Product Specification:

Dimensions: L: 5.38m W: 2.8m H: 3.30m
Age Range: 5-14 years
Play Type: Active
Free Fall Height: 1.5m
Free Space Required: L: 8.9m W: 5.8m

Safety Surfacing Area: 49.6m²
Assembly: Installation Required
Mass of Heaviest Part: kg
Dimensions of Largest Part: L: 3.0m W: 0.5m (slide)
Conformity to EN1176: Yes