

## Stainless Steel Embankment Slide: RT-SSSE

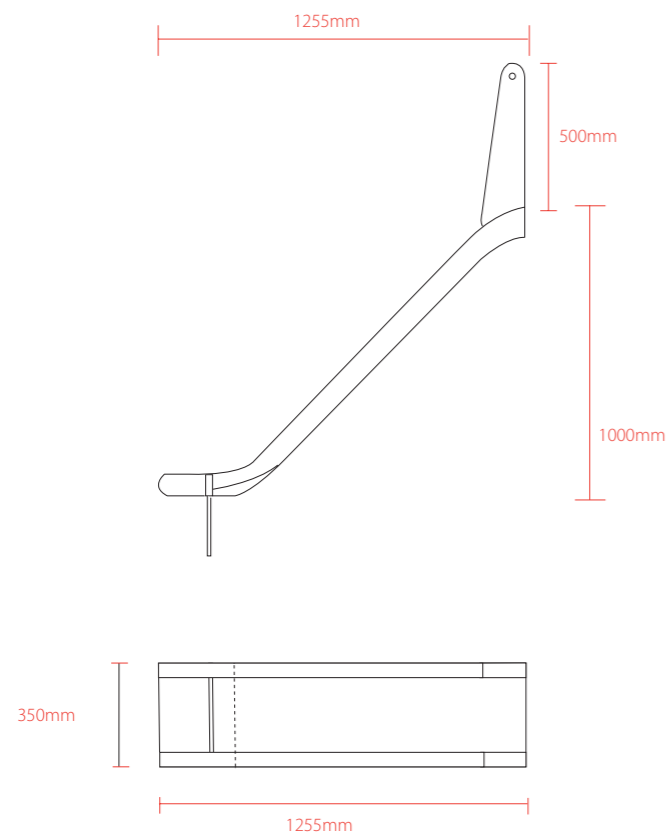
The stainless steel embankment slide is one of a number of products that make full use of an existing embankment in a play park.

Made from Stainless Steel AISI 304 the slide is highly corrosion-resistant and will endure all weather conditions.

It is concreted into the ground as a permanent feature and will require a purpose-built platform at the top to complete the unit.

Heights and widths vary considerably to suit embankment heights. We recommend a maximum consistent gradient of 35° or a 1 in 1.5 slope.

We also recommend that the slide does not face due South when it is installed, as it may cause issues with looking into the sun when it is at the highest point in the day.



**Specifications:**  
Stainless Steel AISI 304

**Product Dimensions:**

**Dimensions:** H: 1.0m - 2.5m L: 2.8m - 4.03m  
**Age Range:** 5+ years  
**Play Type:** Active  
**Free Fall Height:** 1.0m  
**Footprint:** 0.4 x 2.0m approx (smallest size)

**Safety Surfacing Area:** m<sup>2</sup>  
**Assembly:** Installation Required  
**Mass of Heaviest Part:** kg  
**Dimensions of Largest Part:** N/A  
**Conformity to EN1176:** Yes