

## Standard Double Tower: K-72

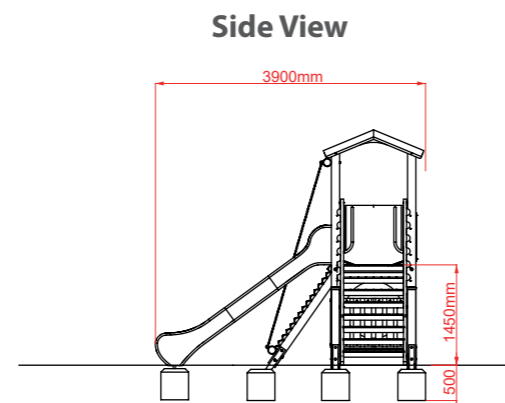
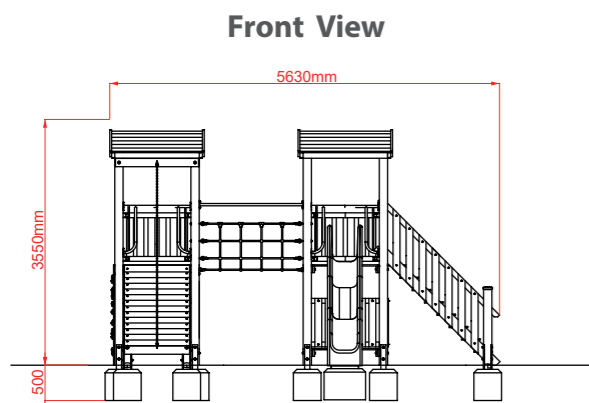
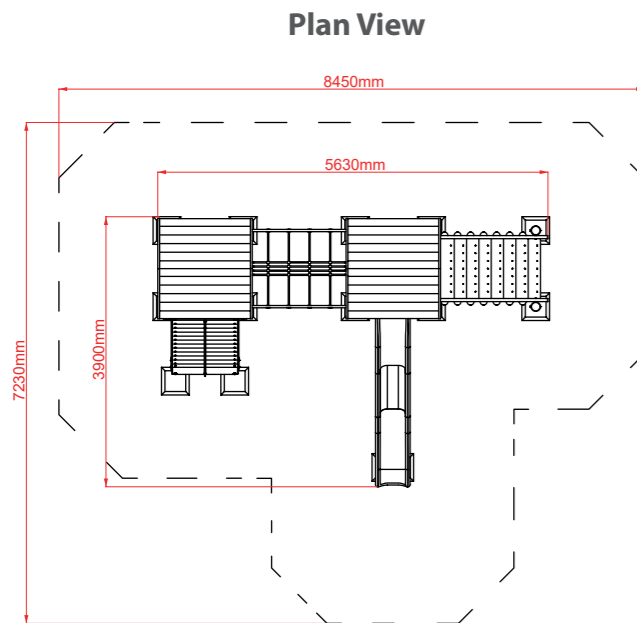
This tower unit is aimed at children aged 5 – 14 years old and has a platform height of 1.45m. The 2.5m green, straight slide is UV resistant and made from high-density polyethylene.

The legs are fitted with hot-dipped galvanised metal feet to prevent ground moisture affecting the timbers.

The total free space required for the double tower unit is 8.45 x 7.23m.

Safety surfacing is required to meet EN 1177 standards.

Timber is a renewable resource, recyclable and biodegradable, and only timbers from sustainably managed sources are used.



### Double Tower:

Pressure-treated wax-impregnated timbers  
High quality steel-cored multi-strand nylon ropes  
Steel fixtures and fittings

### Product Specification:

**Dimensions:** L: 5.63m W: 3.9m H: 3.55m  
**Age Range:** 5-14 years  
**Play Type:** Active  
**Free Fall Height:** 1.5m  
**Free Space Required:** L: 8.45m W: 7.23m

**Safety Surfacing Area:** 59.2m<sup>2</sup>  
**Assembly:** Installation Required  
**Mass of Heaviest Part:** kg  
**Dimensions of Largest Part:** L: 3.0m W: 0.5m (slide)  
**Conformity to EN1176:** Yes