

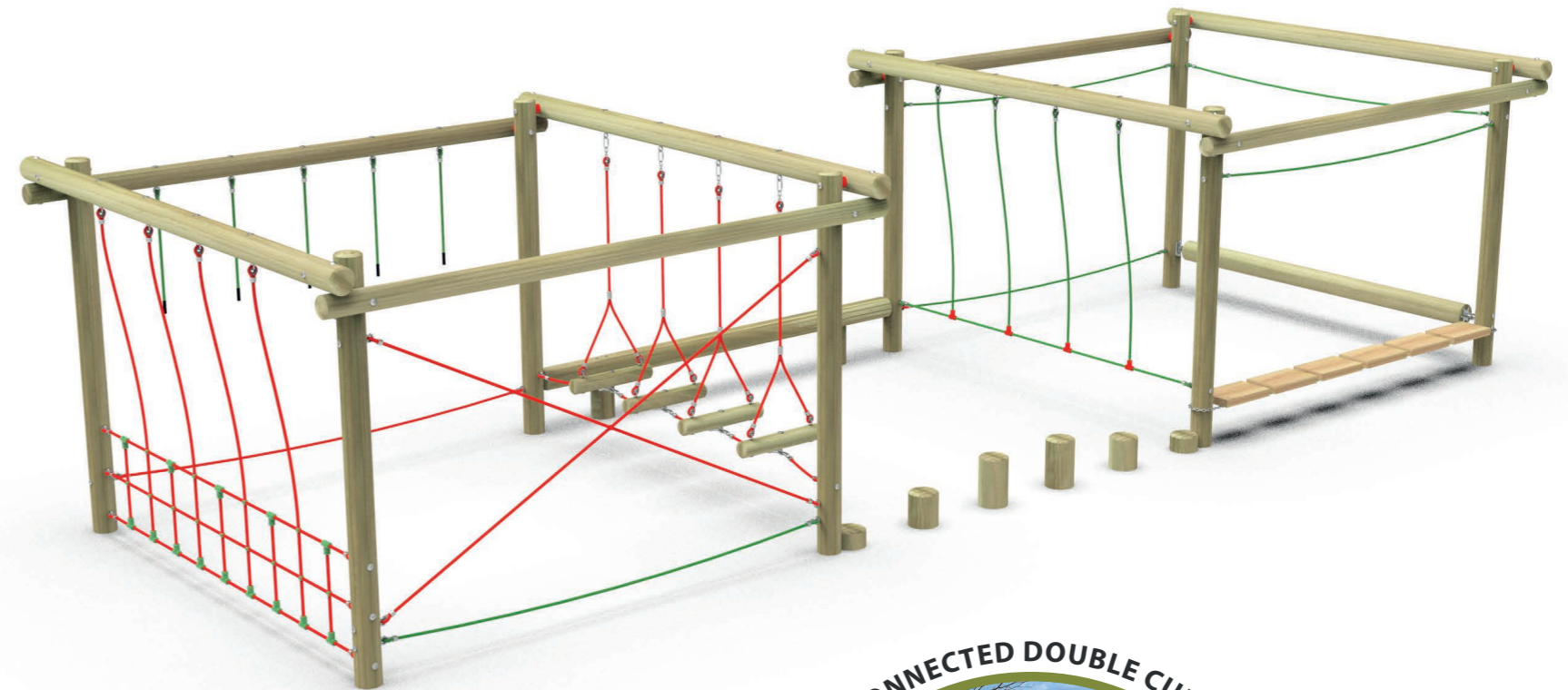
Connected Double Cube: CP-BOX -2

This is a combination of two cubes linked together to form a much larger unit which, in turn, has many more agility trail components. It requires less safety surfacing than if all the agility trail products were strung out in a line.

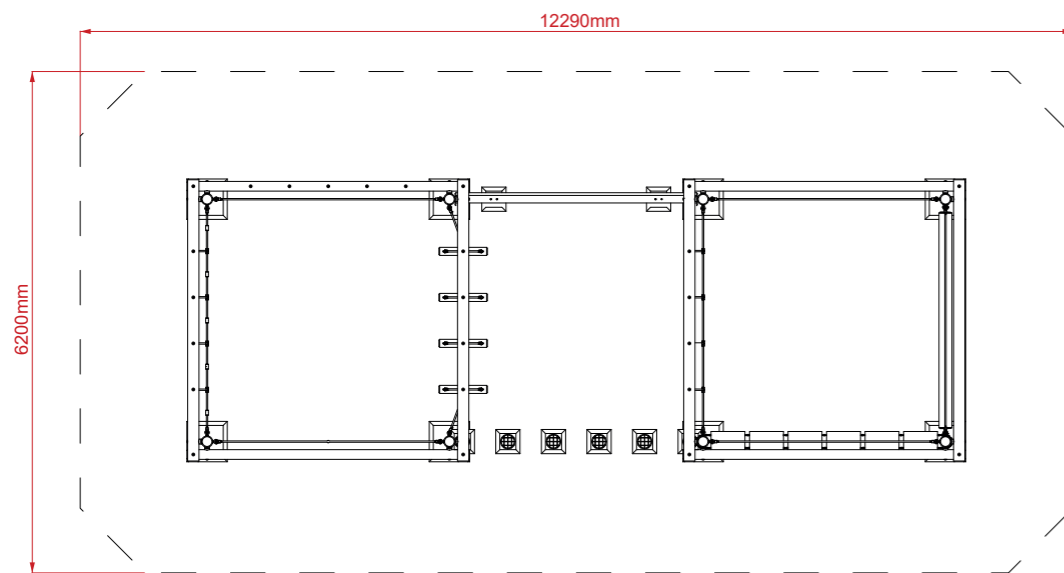
The two cubes are connected by a series of Stepping Log Columns and a Timber Balance Beam.

The timbers are quarter-sawn, machine-rounded and pressure-treated and impregnated with wax. They are also sanded for a smooth finish and fitted with heat-sealed bitumen sleeves and secured into the ground with concrete footings.

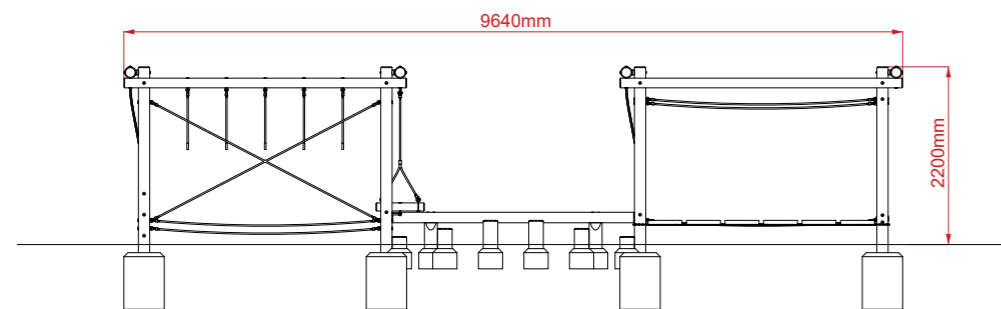
Many configurations of agility items are available.



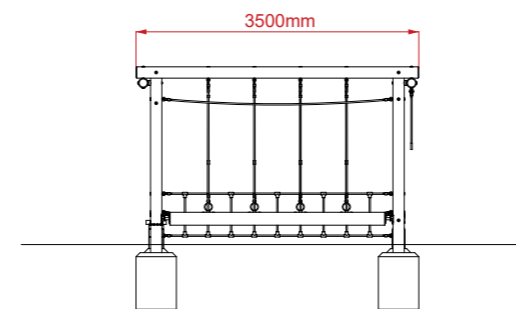
Plan View



Front View



Side View



Product Specification:

Dimensions:	L: 9.64m W: 3.50m H: 2.20m	Safety Surfacing Area:	74.6m ²
Age Range:	3+ years	Assembly:	Installation Required
Play Type:	Active	Mass of Heaviest Part:	kg
Free Fall Height:	0.62m	Dimensions of Largest Part:	L: 3.50m W: 0.14m
Free Space Required:	L: 12.29m W: 6.20m		Yes