

Mud Kitchen: CP-MUD

Mud Kitchens the opportunity to make a mess outside using a selection of natural 'ingredients' such as water, sand, stones, and mud.

Designed as two separate units each has an upper shelf, and a shelf underneath for extra storage.

All our Mud Kitchens are incredibly sturdy, built to last and fully weatherproofed.

The two units incorporate different parts of the kitchen including sinks, cookers, food preparation and storage areas.

The sink bowls are 30cm and 21cm in diameter and made from quality stainless steel.

Worktops are 65cm high and the standard unit length is 1.2m long.

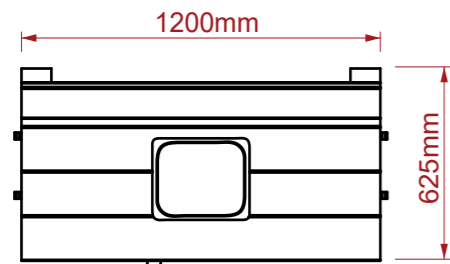
Designs can be modified to suit specific requirements.



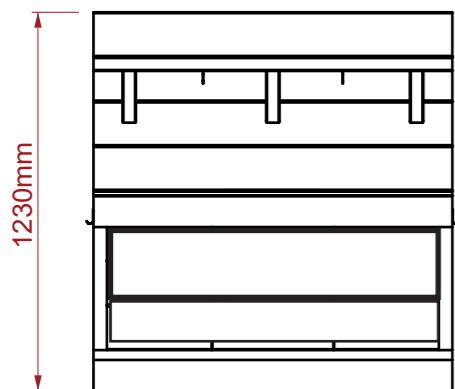
Mud Kitchen



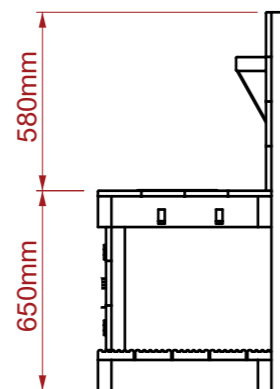
Plan View



Front View



Side View



Specification:

Pressure treated timber with non-arsenic preservative, impregnated with wax.

Stainless Steel Fixtures and fittings.

(Note: Pots & Pans Not Included)

Product Specification:

Dimensions: L: 1.20m W: 0.63m H: 1.23m
Age Range: 3+ years
Play Type: Active
Free Fall Height: NA
Free Space Required: L: 1.20m W: 0.63m

Safety Surfacing Area: NA
Assembly: Installation Required
Mass of Heaviest Part: kg
Dimensions of Largest Part: L: 1.20m W: 0.63m H: 1.23m
Conformity to EN1176: Yes