

## Log Maze Climber 4: CP - TMC4

This product is a combination of machine-rounded poles that are secured in a seemingly random manner with interlinking nets and ropes. It is suitable for children aged 8 and over.

The Log Maze Climber has four vertical poles. Each of the vertical poles is secured into the ground and has a heat-sealed bitumen sleeve fitted at ground level restricting moisture affecting the timber and delaying rot.

The poles support the following features:

- 4 x balance beam sections
- 3 x jungle pole ladders
- 3 x horizontal scramble nets
- 2 x vertical climbing panels
- 6 x traversing/parallel ropes

It is 7.06m long by 4.45m wide and 3.00m high, with a critical fall height of 1.8m.

Safety surfacing is required for this product at 10.7m long by 8.2m wide.

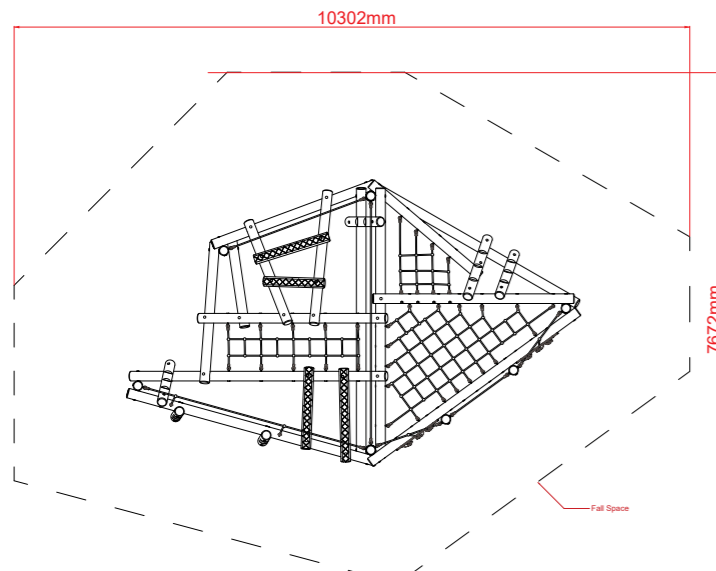
Only timbers from sustainably-managed sources are used.



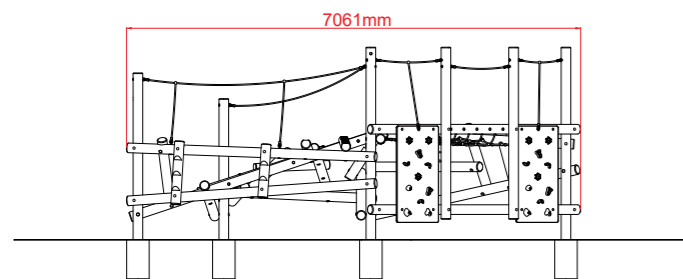
Log Maze Climber 4



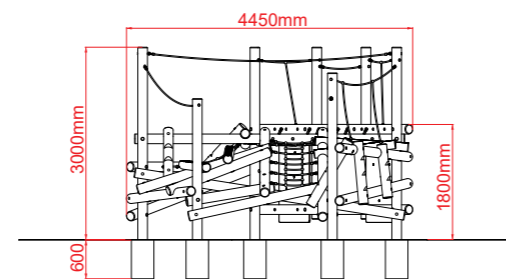
Plan View



Front View



Side View



### Specification:

Pressure treated wax impregnated timber poles

Stainless steel fixtures and fittings

Steel cored multi-strand nylon ropes

### Product Specification:

**Dimensions:** L: 7.06m W: 4.45m H: 3.00m  
**Age Range:** 8+ years  
**Play Type:** Active  
**Free Fall Height:** 1.80m  
**Free Space Required:** L: 10.30m W: 7.67m

**Safety Surfacing Area:** 60m<sup>2</sup>  
**Assembly:** Installation Required  
**Mass of Heaviest Part:** kg  
**Dimensions of Largest Part:** L: 3.60m W: 0.14m  
**Conformity to EN1176:** Yes