

Log Maze Climber 3: CP - TMC3

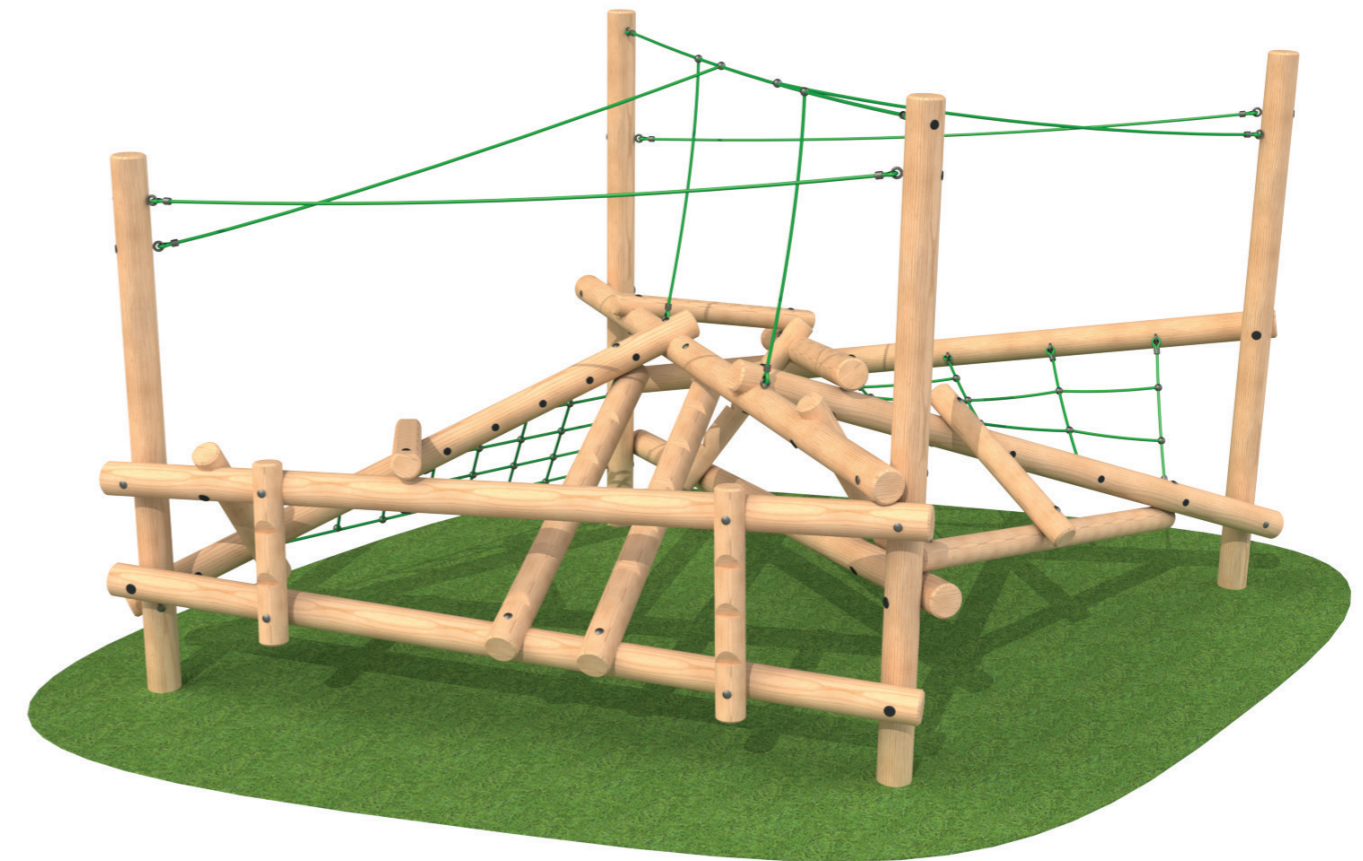
This product is a combination of robust machine-rounded poles with interlinking nets and ropes creating a more unusual type of climbing unit which is challenging for older children but also suitable for younger children. Each of the 4 vertical poles has a heat-sealed bitumen sleeve fitted at ground level restricting moisture affecting the timber and delaying rot.

Features include:

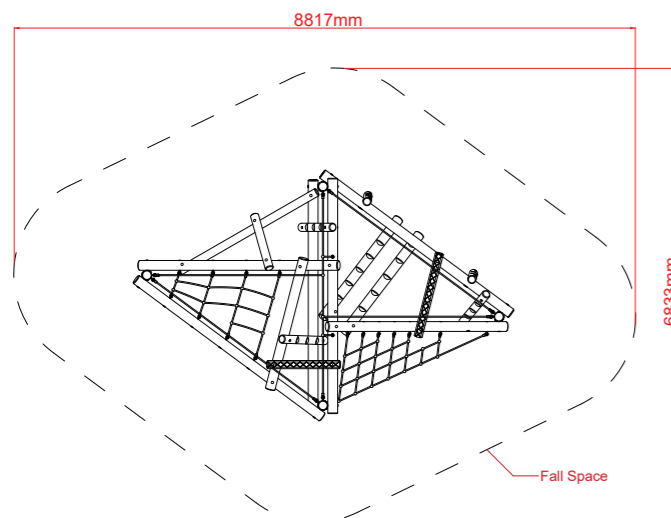
- 4 x balance beam sections
- 4 x jungle pole ladders
- 2 x horizontal scramble nets
- 4 x traversing/parallel ropes

It is 5.8m long by 3.8m wide and 2.85m high and is suitable for age 8+
Safety surfacing 9.5m x 7.0m is required for this product for a critical fall height of 1.5m

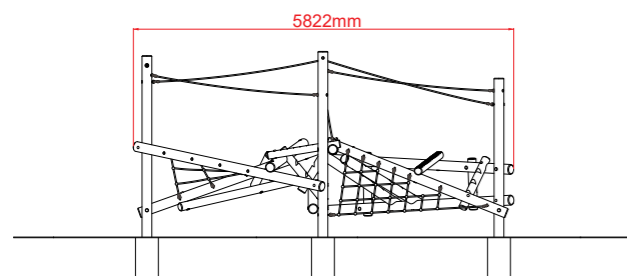
Only timbers from sustainably managed sources are used.



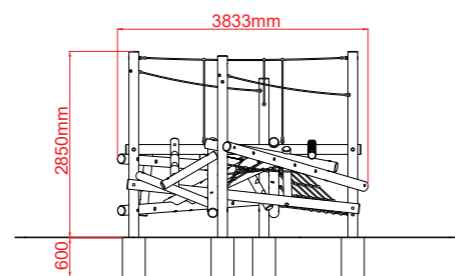
Plan View



Front View



Side View



Specification:

- Pressure treated wax impregnated timber poles
- Stainless steel fixtures and fittings
- Steel cored multi-strand nylon ropes

Product Specification:

Dimensions: L: 5.82m W: 3.83m H: 2.85m
Age Range: 8+ years
Play Type: Active
Free Fall Height: 1.50m
Free Space Required: L: 8.81m W: 6.83m

Safety Surfacing Area: 42m²
Assembly: Installation Required
Mass of Heaviest Part: kg
Dimensions of Largest Part: L: 3.46m W: 0.14m
Conformity to EN1176: Yes