

Log Maze Climber 2: CP - TMC2

This product is a unique clambering tower constructed from large wooden poles as criss-crossing timbers, with hand supports and a scramble net. Some of the beams have been scored to help aid grip when climbing over them and some beams have been left smooth to add a little extra challenge. Each of the 4 vertical poles has a heat-sealed bitumen sleeve fitted at ground level restricting moisture affecting the timber and delaying rot.

Four vertical poles, concreted into the ground, support the following:

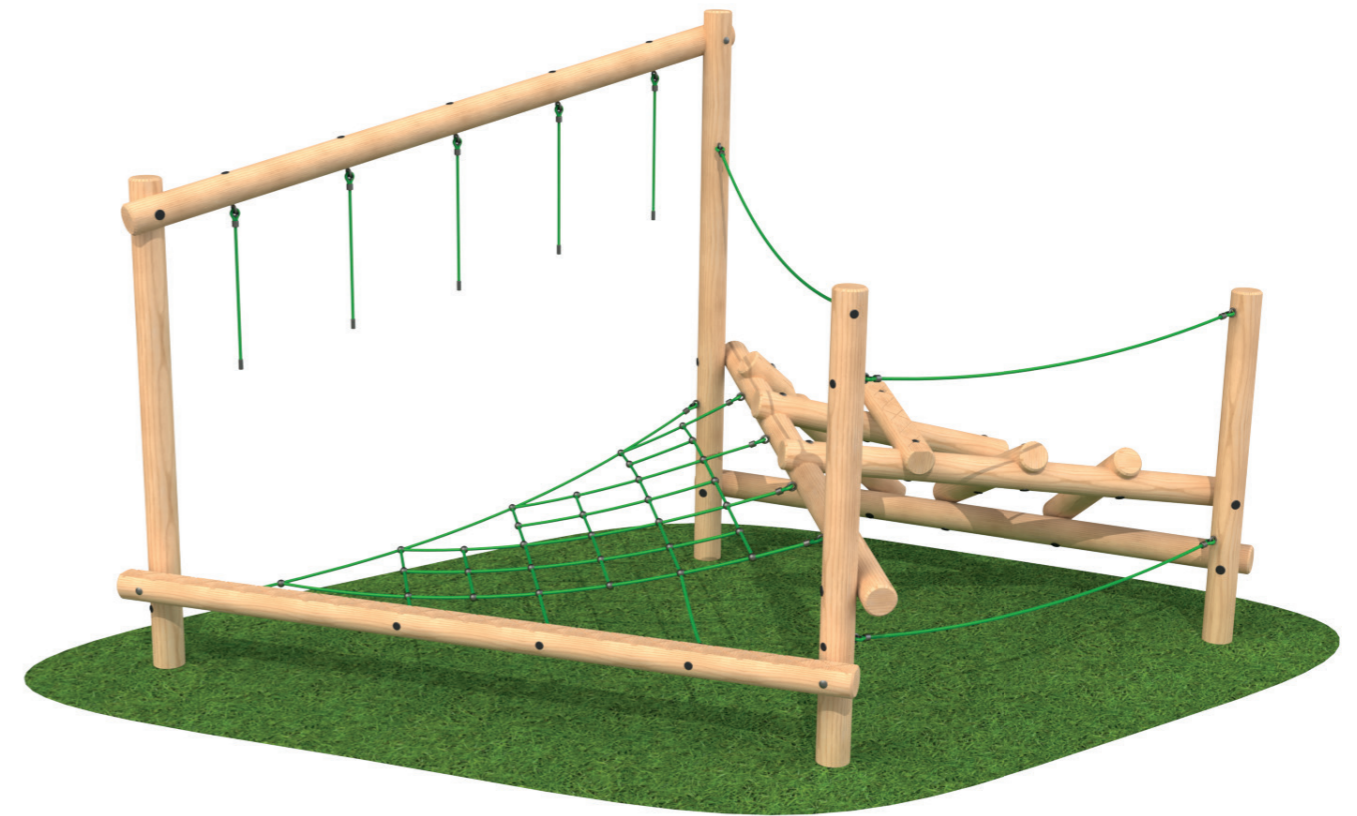
- 3 x balance beam sections
- 2 x pole ladders
- 1 x large horizontal scramble net
- 1 x set of parallel wires
- 1 x set of traversing ropes

Age 5+

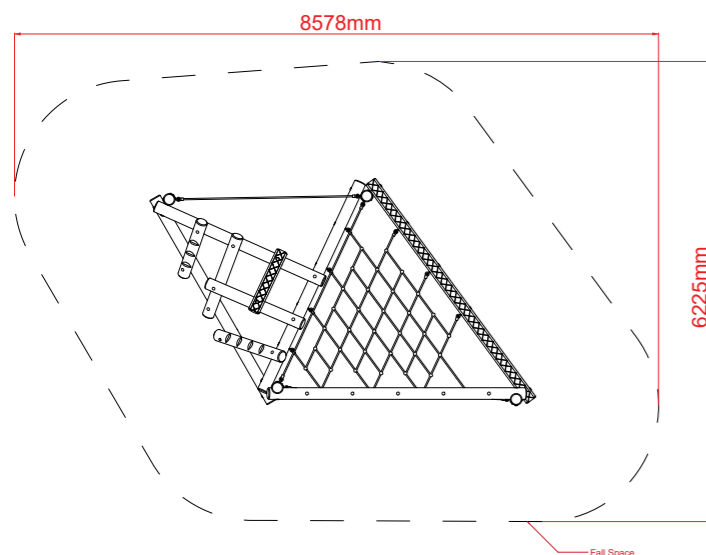
The Log Maze Climber is 5.0m by 2.9m and 3.0m high.

Safety surfacing is required for this product at 8.3m x 5.8m for a 1.5m critical fall height.

Only timbers from sustainably managed sources are used.



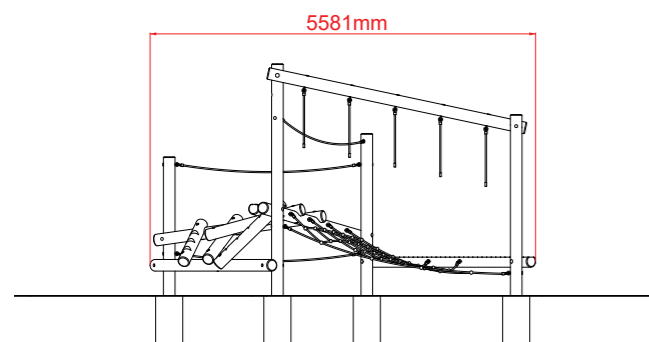
Plan View



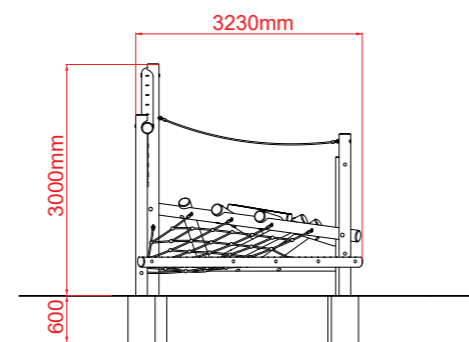
Log Maze Climber 2



Front View



Side View



Specification:

Pressure treated wax impregnated timber poles

Stainless steel fixtures and fittings

Steel cored multi-strand nylon ropes

Product Specification:

Dimensions: L: 5.58m W: 3.23m H: 3.00m
Age Range: 5+ years
Play Type: Active
Free Fall Height: 1.50m
Free Space Required: L: 8.58m W: 6.23m

Safety Surfacing Area: 37m²
Assembly: Installation Required
Mass of Heaviest Part: kg
Dimensions of Largest Part: L: 3.60m W: 0.14m
Conformity to EN1176: Yes