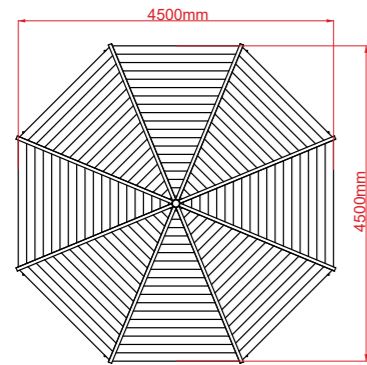


Octagonal Gazebo: CP-GZBO 4.0

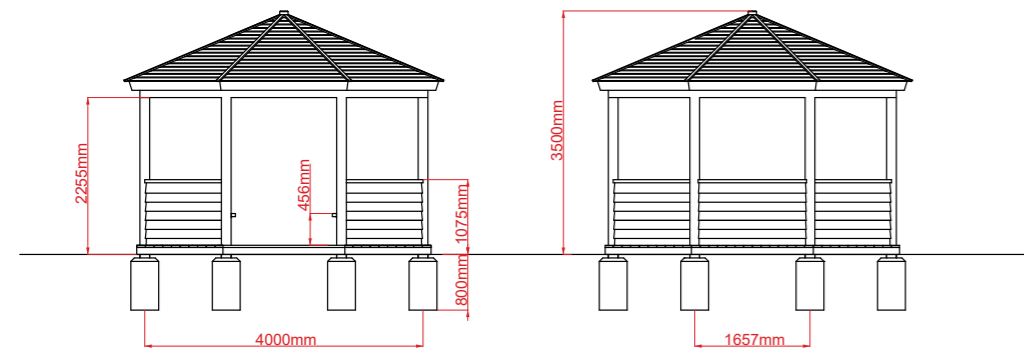
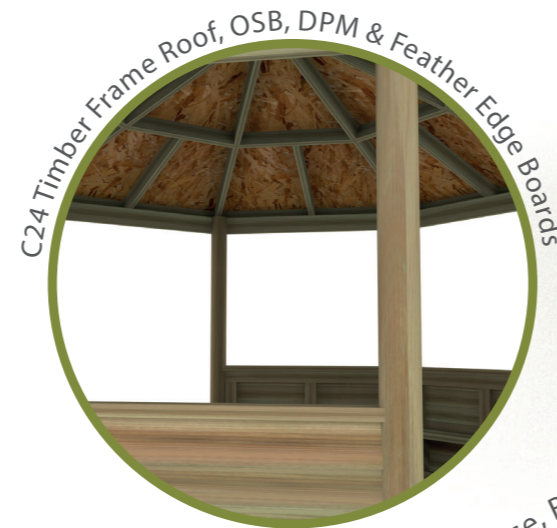
The Octagonal Gazebo is 4.0m in diameter, with two access openings positioned opposite each other. The other 6 sides are fitted with solid timber sides and bench seats: 3 on either side of the access openings.

This product has been designed to be suitable for primary aged children and is ideal as an outdoor shelter for free play or for outdoor learning. It is also perfect as an outdoor space with seats and some shelter for visitor attractions and tourist destinations.

The main supporting legs are quarter-sawn machine rounded poles with a sanded and varnished finish. Each is fitted with heat-sealed bitumen sleeves at ground level to restrict direct contact with ground moisture. The base floor is secured to the main support legs and constructed with trusses that are pressure treated 45 x 145 graded C24 timbers - with centre not exceeding 600mm - to supported 32mm redwood decking. The roof is constructed with similar material but overlaid with OSB and a moisture barrier and then finished with 22mm machined feather-edged boards providing a weatherproof top. The solid timber sides walls form the back rest to the internal bench seats and are capped to restrict any water ingress.

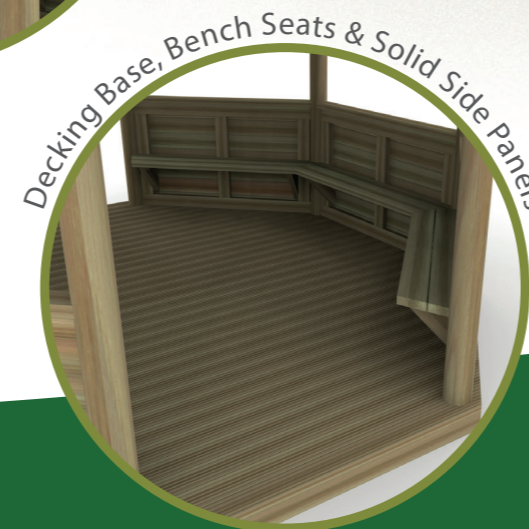


Plan View



Front View

Side View



Product Specification:

Dimensions: L: 4.50m W: 4.50m H: 3.50m
Age Range: 1+ years
Play Type: Imaginative and social
Free Fall Height: NA
Free Space Required: NA

Safety Surfacing Area: NA
Assembly: Installation Required
Mass of Heaviest Part: kg
Dimensions of Largest Part: L: 3.10m W: 0.12m
Conformity to EN1176: Yes