

Pyramid Climber: CP-PYC 1.2 / CP-PYC 1.5

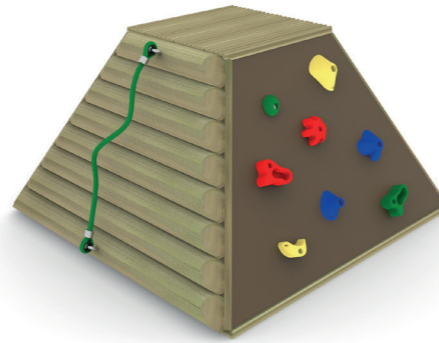
The Pyramid Climber has a square base and 4 sides made from quality buffalo board and timber.

A small entry door on one side allows children to go inside, and a selection of mini climbing features on the other three sides offer them various ways to climb to the small square platform on top.

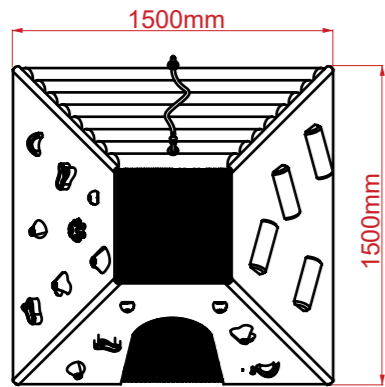
The unit has been designed to be permanently installed outside and withstand all weather conditions.

There are two sizes available with a base size of 1.2m or 1.5m square. The height is 0.75m and the door way is 0.5 x 0.5m on both sizes of unit.

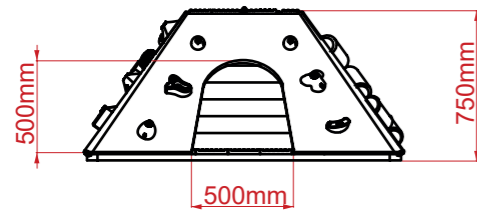
Timber is a renewable resource, it is recyclable and biodegradable, and only timbers from sustainably managed sources are used.



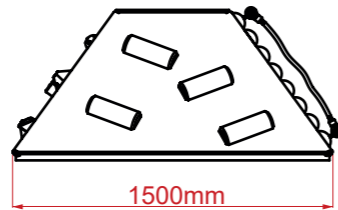
PYC-1.2



Plan View

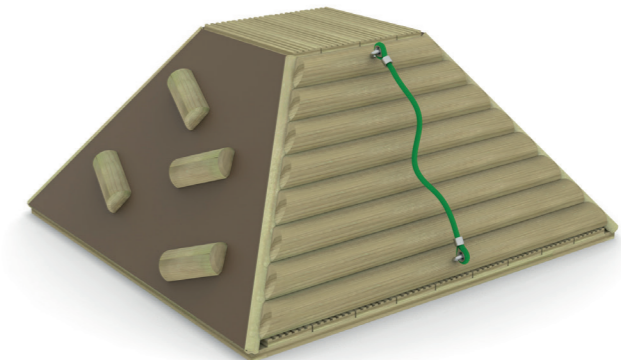


Front View



Side View

Pyramid Climber 1.5



PYC-1.5

Product Dimensions PYC-1.5:

Dimensions:	L: 1.5m W: 1.5m H: 0.75m
Age Range:	3+ years
Play Type:	Active
Free Fall Height:	0.75m
Conformity to EN1176:	Yes