

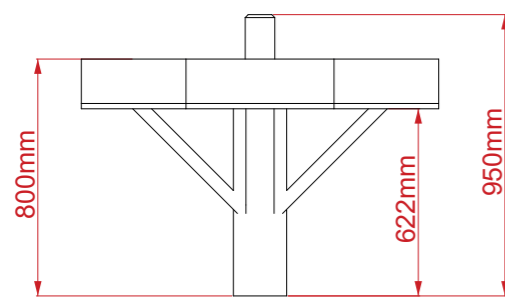
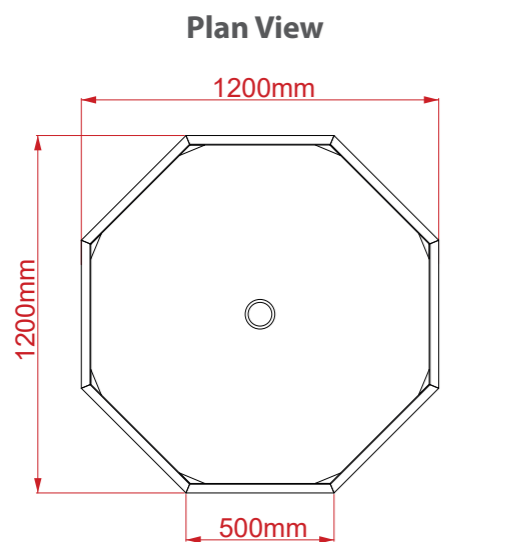
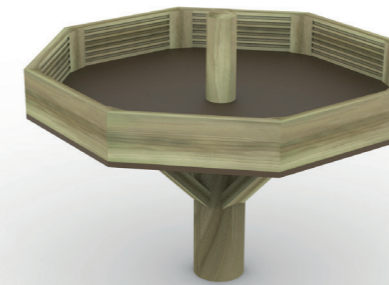
## Raised Octagonal Sandpit: CP-OCS

The Octagonal Raised Sandpit for schools has a recessed support tower, enabling wheelchair users to access and enjoy playing with the sand. It is perfect for sensory play activities and will keep children amused and occupied for hours at a time.

The timber is pressure-treated and impregnated with wax so that it will last much longer. The central pole is concreted into the ground for stability. The whole unit is 1.2m in diameter and around 0.8m high.

Additional items such as a custom heavy-duty waterproof cover and white-washed sand can be supplied as required.

Timber is a renewable resource, recyclable and biodegradable, and only timbers from sustainably-managed sources are used.



Front View



### Specifications:

Quality stainless-steel fixtures and fittings  
Pressure-treated wax-impregnated European Pine

### Product Dimensions:

**Dimensions:** L: 1.2m W: 1.2m H: 0.95m  
**Age Range:** 5+ years  
**Play Type:** Sensory  
**Free Fall Height:** N/A

**Safety Surfacing Area:** N/A  
**Assembly:** Installation Required  
**Mass of Heaviest Part:** kg  
**Dimensions of Largest Part:** N/A  
**Conformity to EN1176:** Yes