

Junior Single Tower: K-7 MIDI / L-Shaped Left

The Junior Single Tower Unit has been created to suit the size and ability of 3-8 year olds. It has been scaled down to ensure that they are able to manage it all safely.

Supplied as an L-shaped formation this tower has one access point and one exit point.

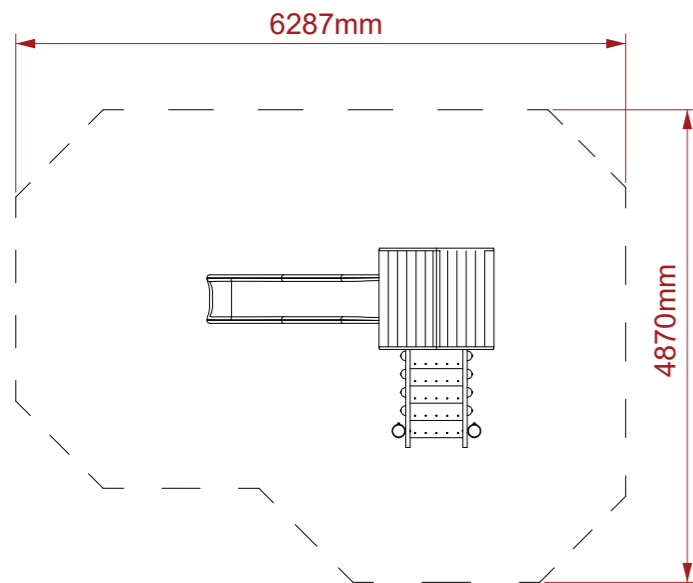
All timber legs are fitted with hot-dipped galvanised metal feet to prevent ground moisture affecting the timbers.

The unit has a roof, robust 5-step access and a 2.5m green high-density polyethylene straight slide.

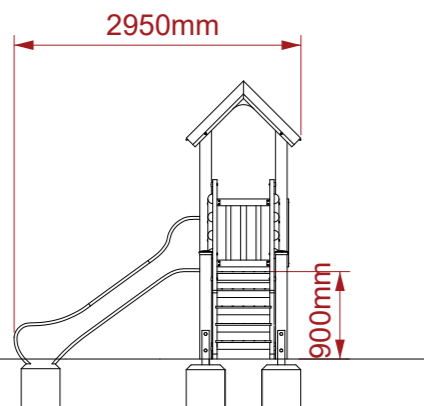
Reverse View



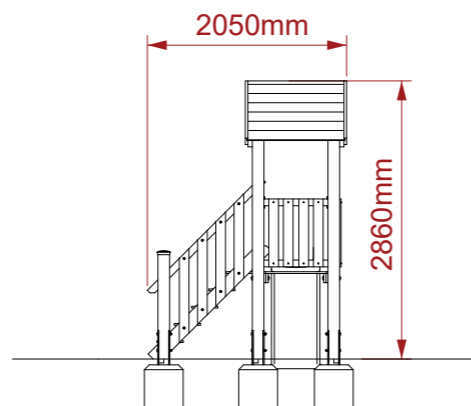
Plan View



Front View



Side View



Specifications:

Quarter-sawn machine-rounded pressure-treated poles with a sanded finish.
Hot-dipped galvanised metal extension legs.
Stainless steel fixtures and fittings.
Galvanised electro powder-coated painted metalwork.
High density polyethylene slide.

Product Specification:

Dimensions: L: 2.95m W: 2.05m H: 2.86m
Age Range: 3+ years
Play Type: Active
Free Fall Height: 0.95m
Free Space Required: L: 6.28m W: 4.87m

Safety Surfacing Area: 26.2m²
Assembly: Installation Required
Mass of Heaviest Part: kg
Dimensions of Largest Part: L: 2.5m W: 0.12m
Conformity to EN1176: Yes