

## Junior Single Tower: K7MIDI In-line w/ ramp

This tower unit is aimed at children aged 3-8 years old and comes with 5 solid steps, a tower with roof and a 2.5m green high-density polyethylene straight slide and a ramp.

It has a platform size of 0.9 x 0.9m and at 1.0m height. The legs are fitted with hot-dipped galvanised metal feet to prevent ground moisture affecting the timbers.

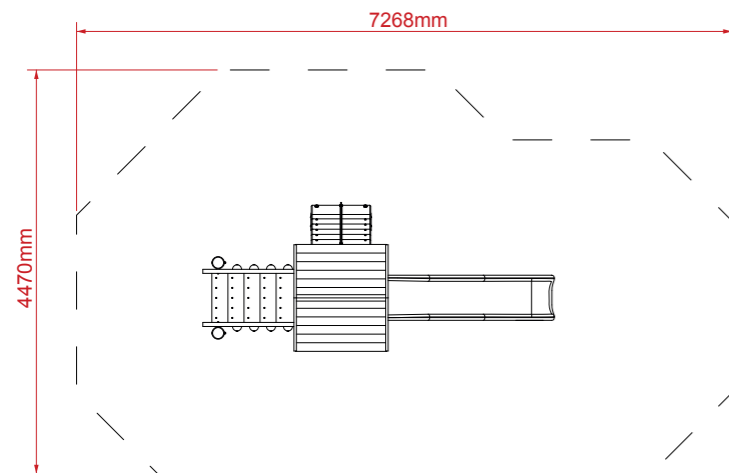
The tower is configured so the slide is straight ahead after accessing the tower via the steps however it can also be configured with the steps and slide in an L-shape, left or right, depending on the space available.

Shown with ramp to the left but can also be supplied with the ramp on the right or with a climbing wall with cut holes as an alternative access point.

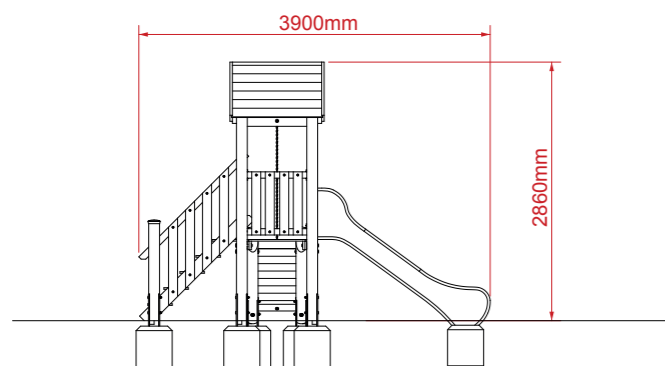
Timber is a renewable resource, recyclable and biodegradable, and only timbers from sustainably managed sources are used.



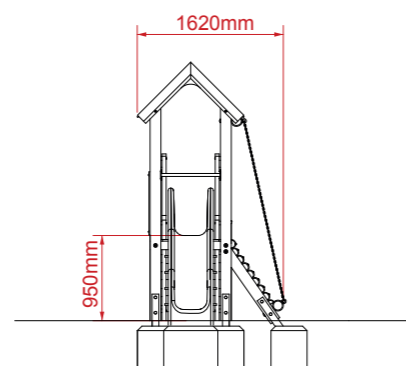
Plan View



Front View



Side View



### Specifications:

Quarter-sawn machine-rounded pressure-treated poles with a sanded finish.  
Hot-dipped galvanised metal extension legs.  
Stainless steel fixtures and fittings.  
Galvanised electro powder-coated painted metalwork.  
High density polyethylene slide.

### Product Specification:

Dimensions: L: 3.90m W: 1.62m H: 2.86m  
Age Range: 3+ years  
Play Type: Active  
Free Fall Height: 0.95m  
Free Space Required: L: 7.26m W: 4.47m

Safety Surfacing Area: 27.8m<sup>2</sup>  
Assembly: Installation Required  
Mass of Heaviest Part: kg  
Dimensions of Largest Part: L: 2.5m W: 0.12m  
Conformity to EN1176: Yes