

Junior Single Tower: K-7 MIDI / In-Line

The Junior Single Tower has been created to suit the size and ability of 3-8 year olds. It has been scaled down to ensure that they are able to manage it all safely.

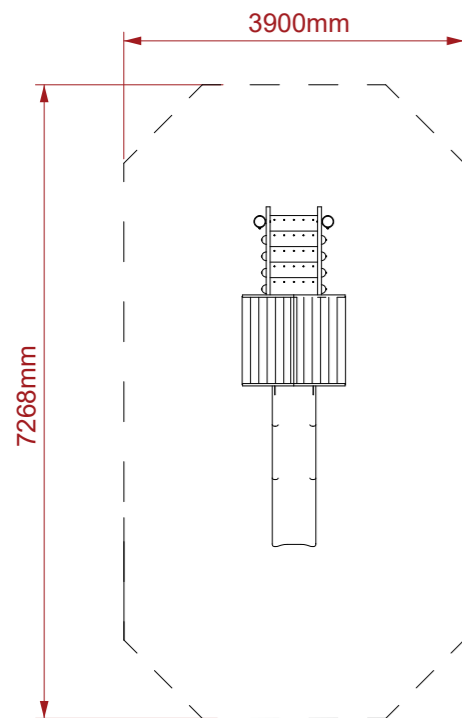
This tower has one access points and one exit point all in one straight line. The legs are fitted with hot dipped galvanised metal feet to prevent ground moisture affecting the timbers.

There are 5 steps up to the small platform and the slide is a green high-density polyethylene straight slide which is 2.5m long.

Reverse View



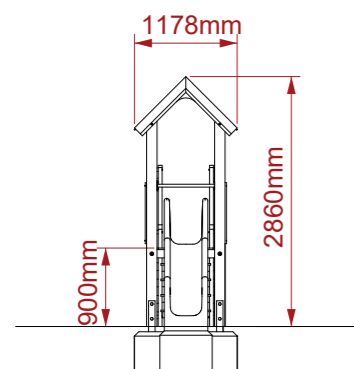
Plan View



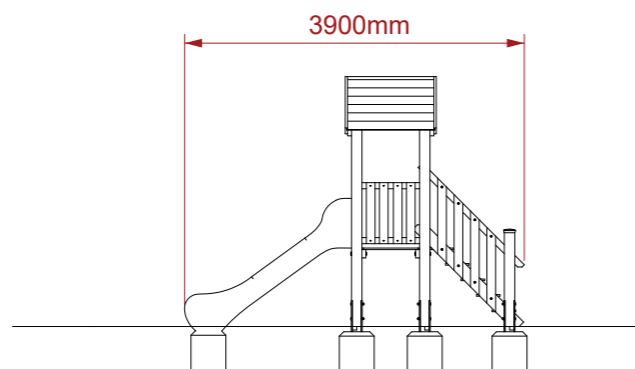
JUNIOR SINGLE TOWER SLIDE



Front View



Side View



Specifications:

- Quarter-sawn machine-rounded pressure-treated poles with a sanded finish.
- Hot-dipped galvanised metal extension legs.
- Stainless steel fixtures and fittings.
- Galvanised electro powder-coated painted metalwork.
- High-density polyethylene slide.

Product Specification:

Dimensions:	L: 3.90m W: 1.17m H: 2.86m
Age Range:	3+ years
Play Type:	Active
Free Fall Height:	0.95m
Free Space Required:	L: 7.26m W: 3.90m

Safety Surfacing Area:	26.7m ²
Assembly:	Installation Required
Mass of Heaviest Part:	kg
Dimensions of Largest Part:	L: 2.5m W: 0.12m
Conformity to EN1176:	Yes