

4 Person Seesaw: K-65-4

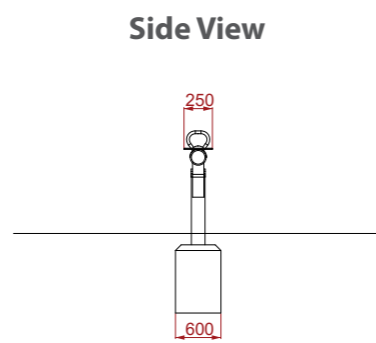
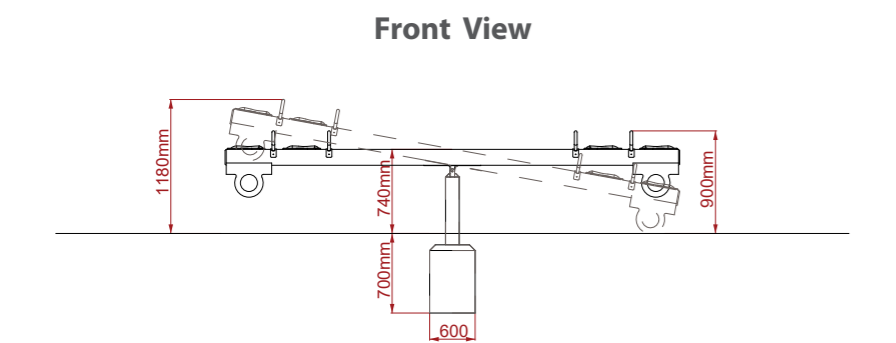
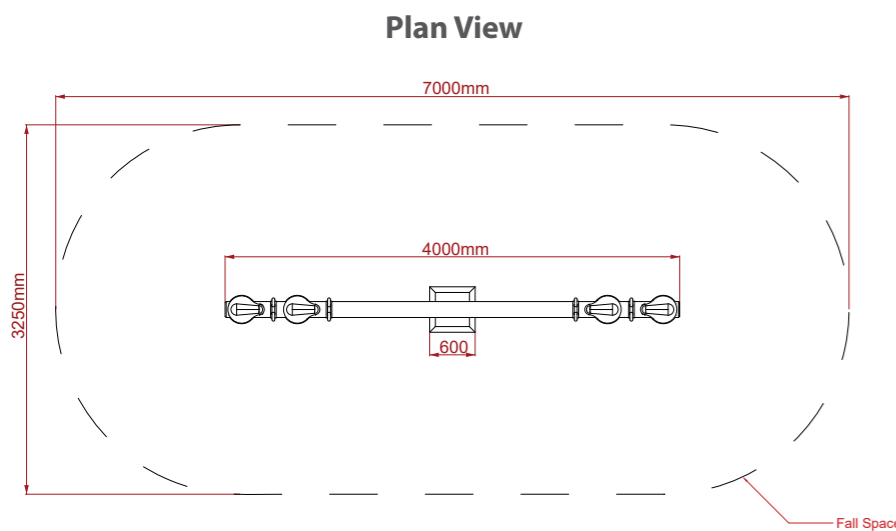
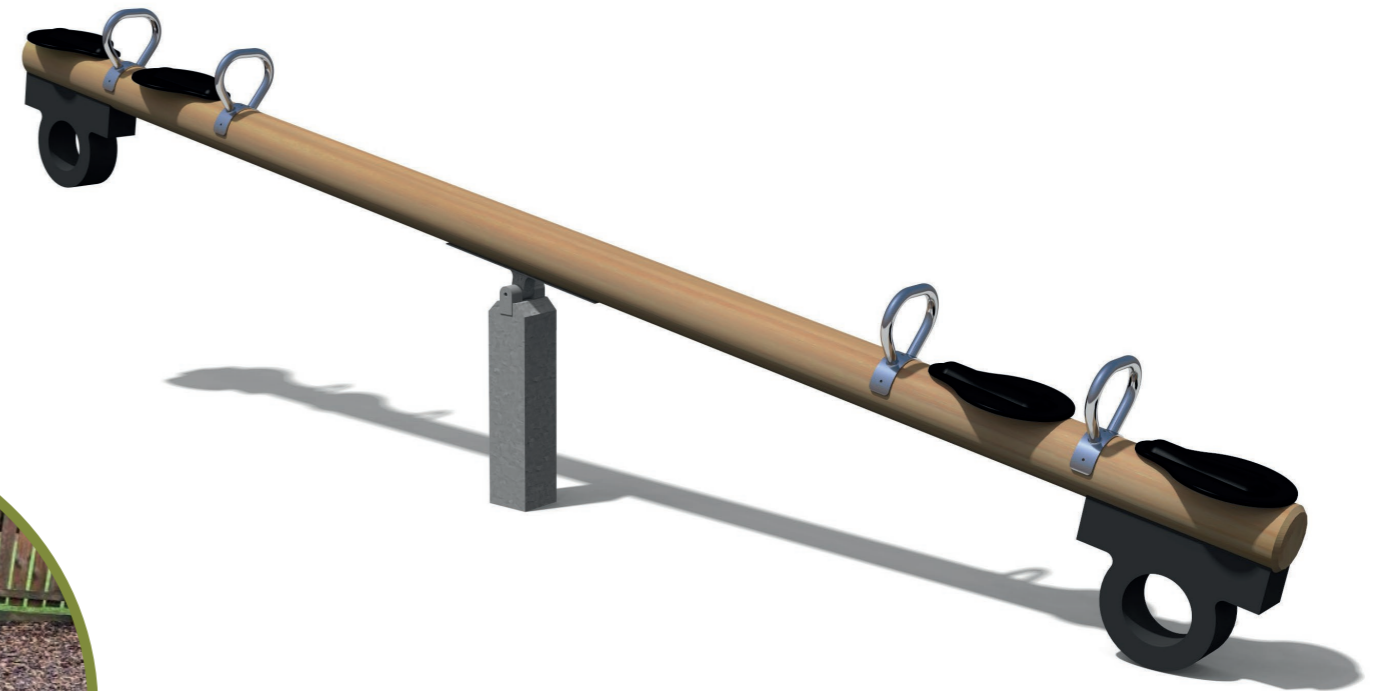
A traditional timber seesaw unit suitable for all ages. It has a metal galvanised pivot column, four comfortable rubber seats with individual stainless-steel grip handles, and shock absorbing cushions at either end.

The central mechanism is designed so that the seesaw moves smoothly making it easy for children to get on and off.

The unit is 4.0m long, 0.2m wide and 0.7m high and is also available with 2 seats.

The safety surfacing area for this product is 3.0m x 7.0m.

Timber is a renewable resource, recyclable and biodegradable, and only timbers from sustainably managed sources are used.



Specification:

Pressure treated wax impregnated timber

Quality rubber seats

Stainless steel grip handles, fixtures and fittings

Product Specification:

Dimensions: L: 4.00m W: 0.25m H: 0.90m
Age Range: 5+ years
Play Type: Active
Free Fall Height: 1.18m
Free Space Required: L: 7.00m W: 3.25m

Safety Surfacing Area: 20.5m²
Assembly: Installation Required
Mass of Heaviest Part: kg
Dimensions of Largest Part: L: 4.00m W: 0.14m
Conformity to EN1176: Yes