

Inclusive Wheelchair Swing: MT-IWS

This swing has been designed to enable wheelchair users to safely enjoy the freedom of swinging independently. It is constructed using quality powder-coated galvanised stainless steel.

The freefall height of this product is 1.13m.

TUV tested to safely take a maximum weight of 2000kg.

Safety Features:

A skid-free access ramp.

Damping cylinder protecting against excessive movement of the swing.

Hoop blocking the ramp opening while swinging.

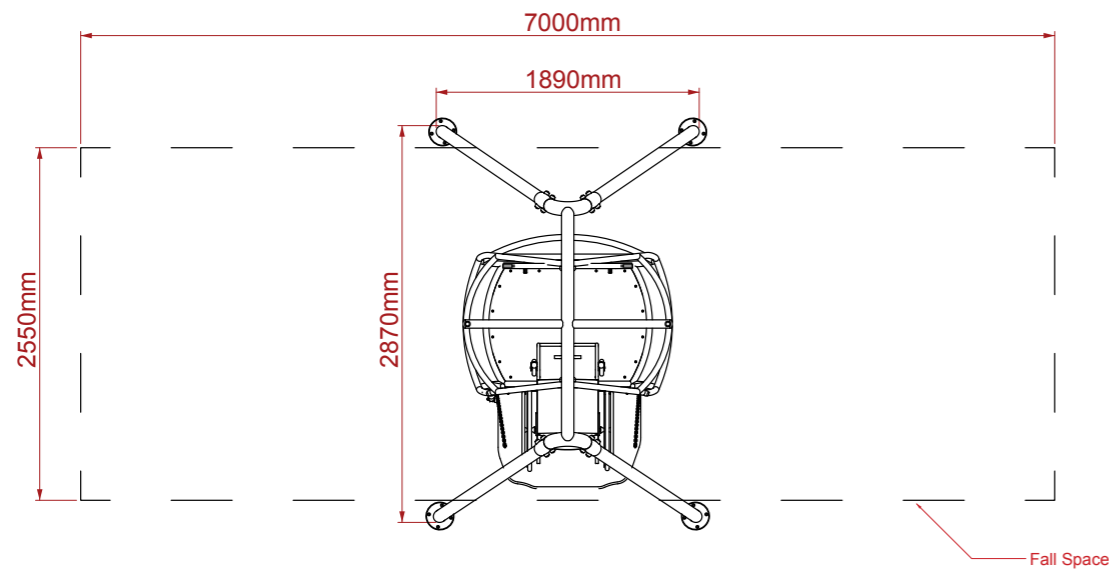
Bumpers protecting persons approaching the swing in the gondola's movement area.

Additional extra modifications available on request:

A lock to prevent the use of the swing in an uncontrolled manner by unauthorized persons.



Plan View



Specifications:

Powder-coated galvanised stainless steel

TUV tested to 2000kg

Gondola has 2 x 16mm ropes with plastic endings to move the swing

Aluminium plate 3 mm entrance ramp/platform

3 x shock absorbers

2 x gas springs

Product Dimensions:

Dimensions: L: 2.87m W: 1.89m H: 2.66m
Age Range: 3+ years
Play Type: Active
Free Fall Height: 1.13m
Free Space Required: L: 7.00m W: 2.55m

Safety Surfacing Area: 17.8m²
Assembly: Installation Required
Mass of Heaviest Part: kg
Dimensions of Largest Part: N/A
Conformity to EN1176: Yes