

Helston Bench BX14 4523



Standard Unit Dimensions:

Length: 2000mm
Width: 450mm
Height: 450mm

Framework Colours/Finishes:

		
Galvanised Only Finish	Jet Black	Traffic White
		
BS 4800 00 A 05 Goose Grey	Cobalt Blue	Anthracite Grey
		
BS 4800 14 C 39 Holly Green	Green	Sky Blue
		
Traffic Red	Duchess Blue	Traffic Yellow

The colours shown are a guide only. Please check a colour chart to see the actual colour.

Product Information

Bringing together shape and functionality, the Helston Bench adds to the visual flow and layout of an outside area. Built to specification, the timber and mild steel bench can incorporate supportive armrests to increase value and usability.

Features

- Frame is galvanised to BS EN ISO 1461:2022
- Additional option to powder coat in an RAL or BS colour
- Hardwood iroko timber slats
- This unit is baseplated as standard

Materials Used

- Galvanised steel
- Hardwood Iroko timber slats

Other Options Available

- Stainless steel frame Grade 304 and Grade 316
- Softwood timber slats
- Available curved or straight

Broxap Limited, Rowhurst Industrial Estate, Chesterton, Newcastle-under-Lyme, Staffordshire, ST5 6BD T: 01782 564411 E: info@broxap.com W: www.broxap.com

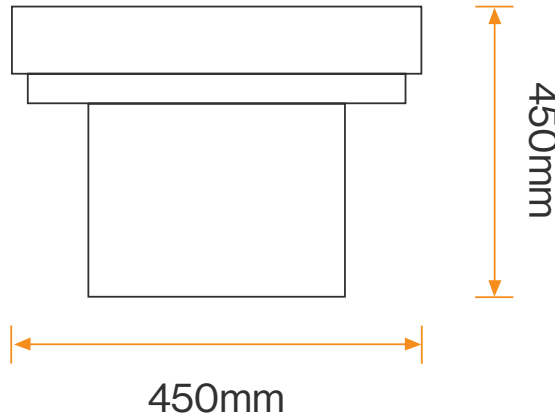


Helston Bench BX14 4523

Options

- A choice of fixings, frame finishes and colours available

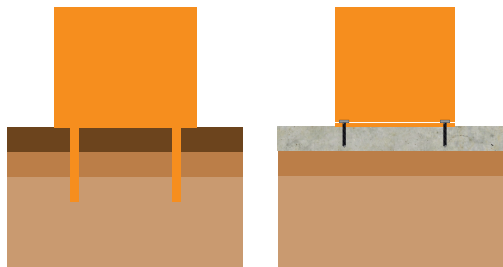
Diagram



Installation

Root/Submerged Fixing

Surface Mounted Baseplate



Standard Unit Dimensions:

Length: 2000mm
Width: 450mm
Height: 450mm

Framework Colours/Finishes:

Galvanised Only Finish	RAL 9005 Jet Black	RAL 9016 Traffic White
BS 4800 00 A 05 Goose Grey	RAL 5013 Cobalt Blue	RAL 7016 Anthracite Grey
BS 4800 14 C 39 Holly Green	RAL 6005 Green	RAL 5015 Sky Blue
RAL 3020 Traffic Red	BS 4800 20 C 40 Duchess Blue	RAL 1023 Traffic Yellow

The colours shown are a guide only. Please check a colour chart to see the actual colour.

Broxap Limited, Rowhurst Industrial Estate, Chesterton, Newcastle-under-Lyme, Staffordshire, ST5 6BD T: 01782 564411 E: info@broxap.com W: www.broxap.com

