



Square Benches Rosenlund

8114369



Above Ground



0 x 0

Grey

The Rosenlund Square Benches outdoor seating combination consists of a central square trellis planter with four bench modules attached on each side. The inclusion of two micro tables positioned conveniently between the bench modules provides practical surface space for personal items. Part of the versatile Rosenlund modular outdoor furniture range, this arrangement is ideal for parks, community spaces, and residential areas. It offers cohesive design and comfortable casual seating, creating an inviting environment for relaxation and social interaction while enhancing outdoor spaces with added greenery and visual appeal. This variant is grey.



Age Range



Number Of Users



Assembly time



Free Height Fall EN1176



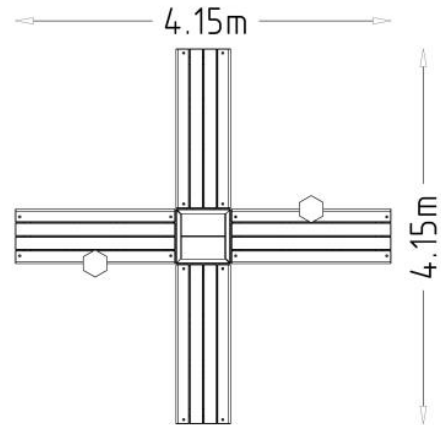
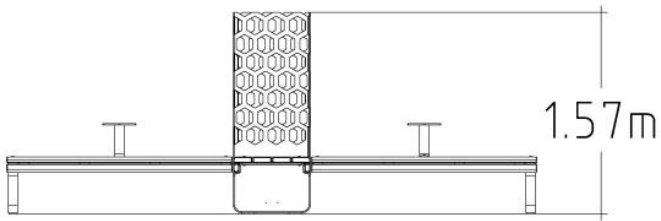
Impact Area EN1176



Accessible



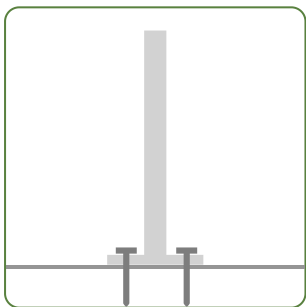
Space Needed



Specifications

Length (mm):	4150 mm
Width (mm):	4150 mm
Height (mm):	1570 mm
Net Weight:	233.6936 kg
Assembly Time:	7 Hours

Anchoring



OM

Above Ground



Material Name	kg	%	Recycled	Recyclable	Renewable
Pine	46.784	20.02	0%	100%	100%
Polyurethane foam/flex	2.3	0.98	0%	0%	0%
Powder coating polyester	1.8	0.77	0%	0%	0%
Untreated Steel	173.224	74.12	69%	100%	0%
Wet paint for wood	7.846	3.36	0%	0%	0%
Zink (electro-galvanised)	0.08	0.03	0%	100%	0%
Zink (hot-galvanised)	1.66	0.71	70%	100%	0%
	234 kg	100%			

Recycled: Made from materials that have been processed and reused instead of discarded.

Recyclable: Can be collected, processed, and turned into new products instead of becoming waste.

Renewable: Comes from natural sources that can replenish over time such as sustainably harvested wood.

Transparency is key for HAGS. Our materials come from various suppliers, therefore the Recycled, Recyclable, and Renewable percentages are shown as the maximum possible values used in the materials. As we source more sustainable materials, these numbers will change.



Structural Steel is the ultimate recyclable choice. Our steel, which can be 100% reclaimed at the end of life, is built to last for generations, continuously rejoining the supply chain. Its durability, enhanced by our protective coatings, ensures a long lifespan, reducing ownership costs.



High Pressure Laminate (HPL) incorporates recycled materials into our play equipment and furniture products, offering fire and slip resistance, texture, and choice of colour. With up to 65% SCSCertified recycled content, our HPL exceeds wear and impact resistance standards, ensuring exceptional lifetime value.



Nordic Pine Wood is responsibly sourced from certified Scandinavian forests. Our wood products, using this 'slow grown' Pine are known for their durability, with extended warranties. This aligns with sustainability practices, and HAGS' mission for environmental responsibility through carbon absorption and recyclability.



FSC Certified Hardwood in various furniture products, signify a dedication to sustainability and quality. Renowned for durability and attractiveness, our hardwoods show excellent natural resistance to decay and insects, making them ideal for outdoor furniture.



Thermally Treated Nordic Pine Wood is a heat and steam treatment process that is used to improve wood's material properties at a cellular level. This results in a wood that is significantly more durable (resistant to rot), dimensionally stable and absorbs less moisture.



Steel Core Rope offers exceptional durability, UV stability, and a soft touch for users. Our customers will benefit from our in-depth expertise in ropes, connectors, and end fittings, ensuring they receive knowledgeable guidance tailored to their playground needs.



Recycled Plastic EcoGrip used by HAGS, comprises 89% recycled polyethylene with a 2mm thick layer on one side. Some furniture pieces feature recycled polyethylene slats. Plastic components can be reclaimed at the end of life, being sorted by type, for optimal future recycling.



Aluminium which is present in some HAGS products, utilises EN AW6060 T6 quality in extruded profiles, often treated with anodizing. Its high recycled content and ability to be reclaimed at the end of life, reduces environmental impact.



Rubber, synthetic (EPDM or SBR) or natural, excels at absorbing vibrations for impact dampers. HAGS uses reclaimed car tires for swing seats, ensuring an eco-friendly second life and safety by selecting tires made post-January 2010, complying with REACH requirements.



Fasteners are the collective name for all types of bolts, nuts and rivets etc. available from HAGS. Our fasteners have an important function to fulfil, so we place great emphasis on having the right type and high-quality fasteners.



Welcome to the world of HAGS

We want to help people experience life the HAGS way. We inspire all generations to open their imaginations and explore the world through play and connection. We strive to connect people to the outdoors to harmonise with nature. We contribute to helping communities get happier and healthier through exercise. We are dedicated to ensuring safe and effortless access to boats and the sea by developing user-friendly and efficient docking systems.

But wait, there's more to our story...

...we achieve these goals through our exceptional range of play equipment, essential park and urban furniture, as well as our excellent sport and fitness equipment.

Guide to HAGS symbols

Our products are labelled with symbols showing assembly time, recommended age, inclusive play, free fall height, space required, etc. See below for the symbols used in this brochure.



Age Range



Number Of Users



Assembly time



Free Height Fall EN1176



Impact Area EN1176



Accessible



Space Needed

For more information about all our amazing products, please visit www.hags.com