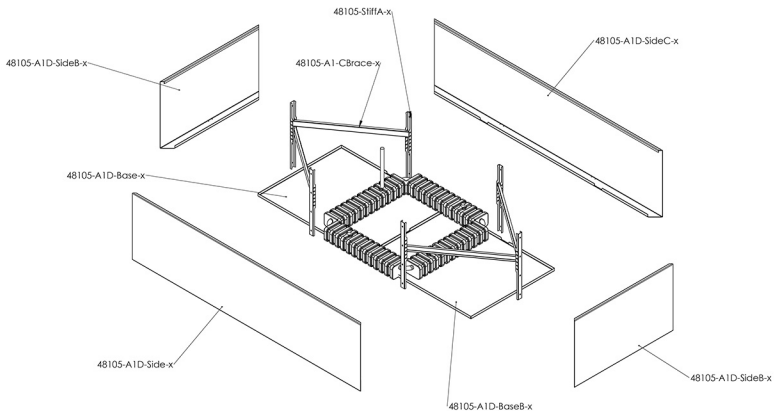


NOTE:

- To Include Butyl Liners
- To Include Reservoir Units

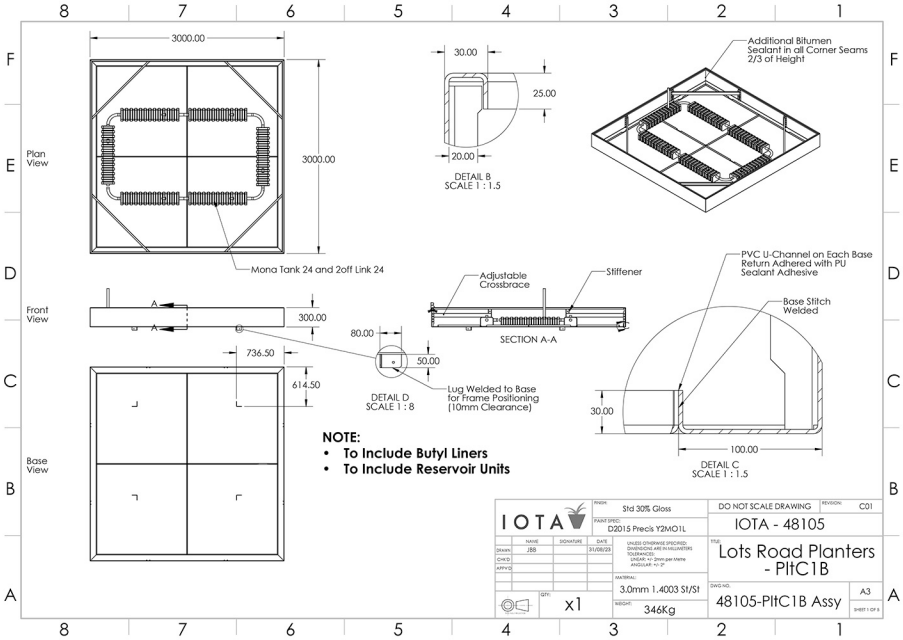
IOTA		REV: Std 30% Gloss	DO NOT SCALE DRAWING	REV: C01
DRAWN: JBB		DATE: 05/18/23	IOTA - 48105	
CHECKED:		UNLESS OTHERWISE SPECIFIED DIMENSIONS ARE IN MILLIMETERS TOLERANCES: LINEAR: +0.25mm PER MM ANGULAR: +0.2°	TITLE: Lots Road Planters - PflA1D	
APPROVED:		MATERIAL: 3.0mm 1.4003 St/Sl	QTY: x1	DWG NO: 48105-PflA1D Assy
WEIGHT: 283Kg		A3		SHEET 1 OF 4

Explosion



NOTE: Refer to PitA1 Drawings for Fold Lengths

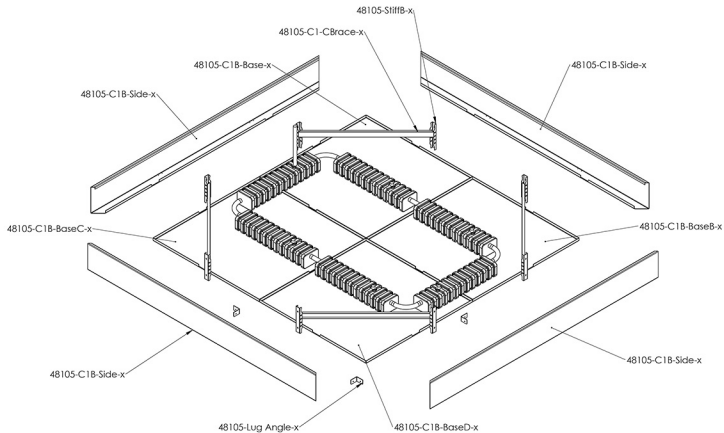
UNLESS OTHERWISE SPECIFIED DIMENSIONS ARE IN MILLIMETERS SURFACE FINISH: TOLERANCES: LINEAR: ANGULAR:				FINISH	ORIBURY AND BREAK SWAMP EDGES	DO NOT SCALE DRAWING	REVISION
NAME	SIGNATURE	DATE				FILE:	
DRAWN							
CHEK'D							
APP'VD							
MFG							
QA				MATERIAL:		DWG NO.	
						48105-PitA1D Assy ^{A3}	
				WEIGHT:		SCALE:1:30	SHEET 3 OF 4



- NOTE:**
- To Include Butyl Liners
 - To Include Reservoir Units

IOTA		REV: Std 30% Gloss	DO NOT SCALE DRAWING	REVISION: C01
DRAWN: JBB		DATE: 31/08/23	IOTA - 48105	
CHK'D:		UNLESS OTHERWISE SPECIFIED DIMENSIONS ARE IN MILLIMETERS TOLERANCES: LINEAR: +0.20mm PER MM ANGULAR: +0.2°		FILE: Lots Road Planters - PitC1B
APPROV:		MATERIAL: 3.0mm 1.4003 S1/S1	DWG NO: 48105-PitC1B Assy	
QTY: x1		WEIGHT: 346Kg	A3	
			SHEET 1 OF 3	

Explosion



NOTE: Refer to PltA1 and PltB1 Drawings for Fold Length

UNLESS OTHERWISE SPECIFIED: DIMENSIONS ARE IN INCHES/STRAIGHT SURFACE FINISH: TOLERANCES: LINEAR: ANGULAR:				FINISH	DIRTY AND BREAK SHARP EDGES	DO NOT SCALE DRAWING	REVISION
DRAWN	NAME	SIGNATURE	DATE				
CHK'D							
APP'VD							
MFG							
QA							
				MATERIAL:		DWG NO.	
						48105-PltC1B Assy	A3
				WEIGHT:		SCALE:1/8"	SHEET 4 OF 5