



3+



12



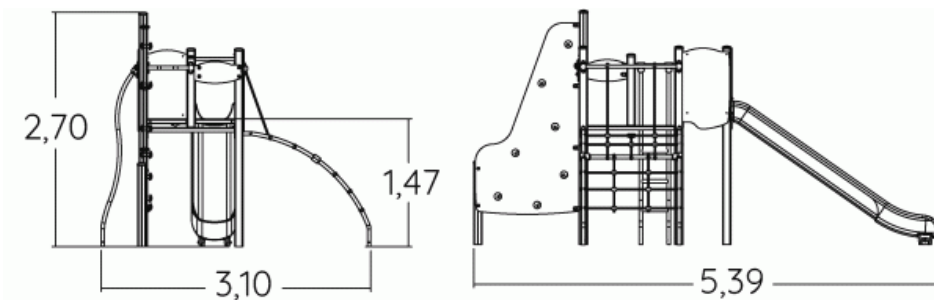
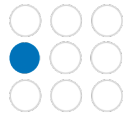
2,6m



1 = 5,41m  
2 = 3,1m  
3 = 2,69m



Physical inclusion  
Sensory inclusion  
Cognitive inclusion



Play value :

5

climbing



x1

sliding



x1

meeting



x1


climbing



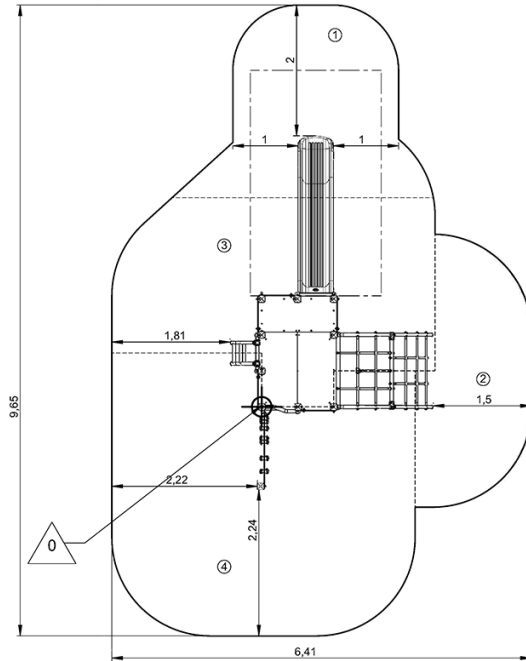
x2

## Installation of equipment

**IMPORTANT:** It is essential to refer to the installation instructions for information on the size of the safety areas.

 Impact area (minimum normative surface)

 Free space



1	1m	8m <sup>2</sup>
2	1,37m	6m <sup>2</sup>
3	1,47m	13m <sup>2</sup>
4	2,6m	18m <sup>2</sup>



2



12h00



0.36m<sup>3</sup>



45m<sup>2</sup>



379kg



54kg

