

Synergy™ Recycling Bin BX45 200-RC



Standard Unit Dimensions:

Height: 1181mm
Overall Width: 1210mm
Capacity: 200 Litres (2x100 litres)
Weight: 40kg (without liners)

Colours/Finishes:

RAL 6005 Moss Green	RAL 7016 Anthracite Grey	RAL 9005 Jet Black
RAL 9006 White Aluminium	RAL 5015 Sky Blue	RAL 5002 Ultramarine Blue
BS 4800 10 A 07 Nimbus Grey	RAL 3020 Traffic Red	RAL 1023 Traffic Yellow
BS 4800 14 C 39 Holly Green		

The colours shown are a guide only. Please check a colour chart to see the actual colour.

Product Information

Designed and manufactured using the quality and build strength features from the original steel Derby Litter Bin range, featuring the renowned bar hinge system, Broxap brings you the latest in high capacity, contemporary designed dual waste streams, the Synergy recycling bin. Supplied in Black as standard.

Features

- Elliptical contemporary design
- 2 x 100 litre internal galvanised steel liners c/w safety handle grips
- 2 x Front opening doors incorporating Broxap's acclaimed "bar hinge system"
- Body and doors constructed with a double skin thickness
- Standard "T" bar heavy duty locking system
- Decorative gold banding to the base of the unit x 2
- Stainless steel decorative plates/stubbing plates to the top x 2
- Coloured metal mouth piece
- Aperture panel (choice of colours to suit WRAP symbolism)
- WRAP recycling waste stream logos to suit x 4 (waste streams: cans, paper, glass bottles, plastic bottles, mixed waste)
- Used singularly for litter or recycling purposes or for both
- Pre-moulded holes for ground fixing

Materials Used

- HDPE

Broxap Limited, Rowhurst Industrial Estate, Chesterton, Newcastle-under-Lyme, Staffordshire, ST5 6BD T: 01782 564411 E: info@broxap.com W: www.broxap.com



Synergy™ Recycling Bin BX45 200-RC

Options

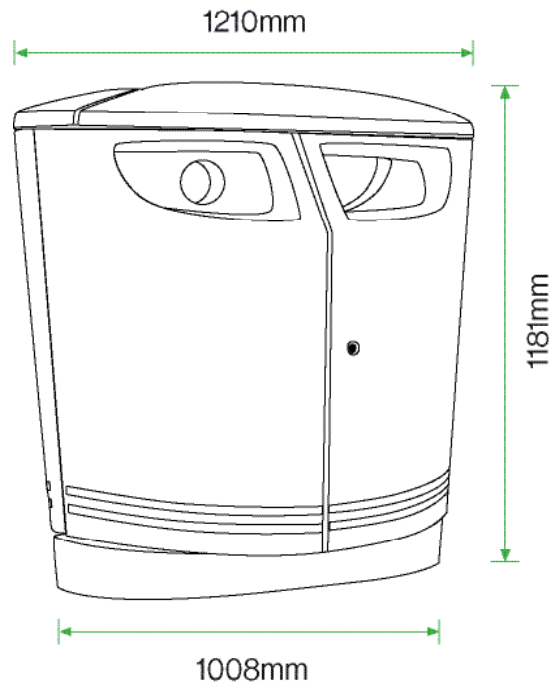
- Different colours available with minimum order of 20 units

Guarantees & Warranties

- 12 Year Anti-Perforation Warranty*
- 12 Year Galvanised Steel Base Warranty*
- 2 Year Parts & Labour Guarantee*

*Maintenance and other qualifying criteria apply

Diagram



Standard Unit Dimensions:

Height: 1181mm
Overall Width: 1210mm
Capacity: 200 Litres (2x100 litres)
Weight: 40kg (without liners)

Colours/Finishes:

RAL 6005 Moss Green	RAL 7016 Anthracite Grey	RAL 9005 Jet Black
RAL 9006 White Aluminium	RAL 5015 Sky Blue	RAL 5002 Ultramarine Blue
BS 4800 10 A 07 Nimbus Grey	RAL 3020 Traffic Red	RAL 1023 Traffic Yellow
BS 4800 14 C 39 Holly Green		

The colours shown are a guide only. Please check a colour chart to see the actual colour.

Broxap Limited, Rowhurst Industrial Estate, Chesterton, Newcastle-under-Lyme, Staffordshire, ST5 6BD T: 01782 564411 E: info@broxap.com W: www.broxap.com

