

Seating Specification Sheet

Sneyd Hill Picnic Unit
BX71 3954

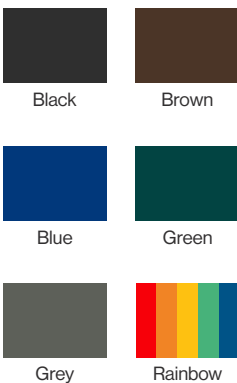
broxap[®]
 street furniture



Standard Unit Dimensions:

Length: 1500mm
 Width: 1300mm
 Height: 780mm
 Seat Height: 490mm
 Weight: 95kg

Colours/Finishes:



The colours shown are a guide only.
 Please check a colour chart to see the
 actual colour.

Product Information

A solid, durable and highly cost-effective picnic bench. Made from recycled plastic, the Sneyd Hill Picnic Bench is maintenance-free and will continue to look good for years to come. A lightweight option with anti-decay properties.

Features

- Supported by two 'A' frames for strength
- Constructed from recycled plastic
- Surface mounted as standard

Materials Used

- Recycled Plastic

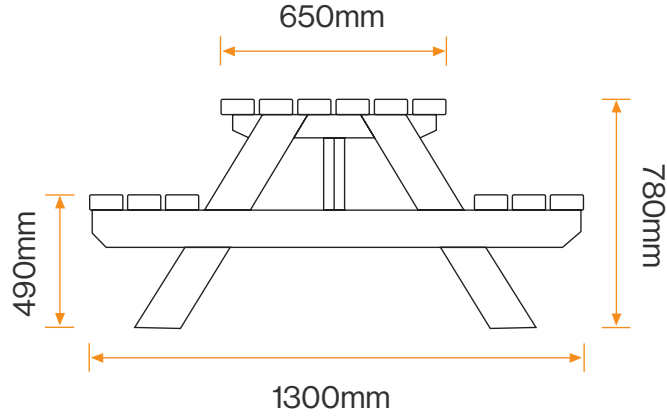
Options

- Optional fixing kits available
- Extended table top to accommodate wheelchair users
- Also available baseplated or root fixed

Broxap Limited, Rowhurst Industrial Estate, Chesterton, Newcastle-under-Lyme, Staffordshire, ST5 6BD T: 01782 564411 E: info@broxap.com W: www.broxap.com



Diagram



Installation

Surface mounted
Picnic Bench

Root/Submerged
Fixing

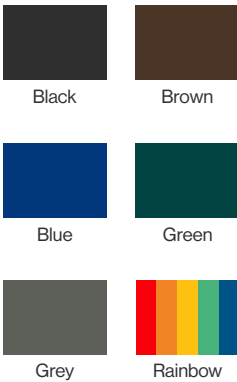
Surface Mounted
Baseplate



Standard Unit Dimensions:

Length: 1500mm
 Width: 1300mm
 Height: 780mm
 Seat Height: 490mm
 Weight: 95kg

Colours/Finishes:



The colours shown are a guide only.
 Please check a colour chart to see the
 actual colour.

Broxap Limited, Rowhurst Industrial Estate, Chesterton, Newcastle-under-Lyme, Staffordshire, ST5 6BD T: 01782 564411 E: info@broxap.com W: www.broxap.com

